

Onan

Wiring Diagrams

**for Mobile, RV and
AUX GenSets**

To be used *ONLY* by

Distributor
Service Organization

or

Distributor/Dealer

WIRING DIAGRAMS FOR MOBILE ELECTRIC GENERATING SETS

All the wiring diagrams in this manual apply to Onan electric generator sets used in RV, AUX, or other special Mobile applications. When using the diagrams, remember that all components are shown in their de-energized position unless otherwise noted. Find the model in question in the left hand column (which matches the generator set nameplate), then look to the right for the applicable wiring diagram number and the page where it is located. For detailed service information, refer to the Master Service Manual for the respective unit, the RV Training Manual (932-0402) and the Controls Training Manual (932-0406).

MODEL NUMBER AND SPEC LETTER	WIRING DIAGRAM	SEE PAGE
2.5AJ-1E/6000K	605-0110	8
2.5AJ-1E/12006K,M	605-0110	8
2.7AJ-1R/12020K,M,N	611-1106	52
2.7AJ-1R/16010N	611-1106	52
2.7AJ-1R/16016N	611-1106	52
3.0AJ-1R/16017P,R	611-1140	61
3.0AJ-1R/16017S	611-1148	66
3.0AJ-1R/16018D,R,S	611-1148	66
2.5LK-1E/6000K,12006K,13036K,13036M	605-0110	8
2.5LK-1E/6820K,10819K	605-0083	5
2.5LK-1E/10898K	605-0107	6
205LK-1RV6000/1E,1F,1G,7060F,7193F,7740G	610-0266	12
205LK-1RV6000/1H	610-0313	14
205LK-1RV6000/7641G	610-0310	13
205LK-1RV6000/7641H	610-0320	17
2.5LK-1,2,3R/1C	610-0266	12
2.5LK-1R/6000H,6000J,8098G,8486J,8781H,8782H,9525J, 9903H,9903J,10298H,10497H,10545L, 10545J,10689J,10801J,10850J,11215J, 11426J,12000J,12006J,12820J,13646J, 14185J,14185L	610-0315	16
2.5LK-1R/10935J	605-0108	7
2.5LK-3CR/10801J	610-0338	18
2.5LK-3CR/10850J	610-0314	15
2.5LK-3CR/12000M,1L	610-0350	19
4.0BF-1R/9000A,14122A	611-1094	51
4.0BF-1R/9000B,9000C	611-1109	53
4.0BF-1R/9500A	611-1094	51
4.0BF-1R/15203B,15203C	611-1121	54
4.0BF-3CR/16000A,16002A	611-1123	55
4.0BF-3CR/16000B,16002B,16004B	611-1127	56
4.0BF-8R/16000B,17389B,20793B	611-1127	56
4.0BFA-1R/16000A,16004A	611-1135	59
4.0BFA-1R/16004B,16004C,16004D,16012C,17389C	611-1146	64
4.0BFA-1R/16015B,16015C,16020B,16020C	611-1147	65
4.0BFA-1R/16019A,16020A	611-1138	60
4.0BFA-3CR/15000C,20275A,20275C,22353C,22593C, 25206C,25505C,26651C,27014C, 27318C,27919C,26805C	611-1142	63
4.0BFA-5DR/22540C,22541C	606-0205	9

MODEL NUMBER AND SPEC LETTER	WIRING DIAGRAM	SEE PAGE
RV Gasoline (Continued)		
4.0BGE-1R/26100A,26100B,26100C,26101A,26101B,26101C, 26102A,26109A,26109B,26109C,28202C	611-1174	76
4.0BGEL-1R/26110A,26110B,26111A,26111B,26112A	611-1174	76
5.0BGA-3CR/16000A	611-1135	59
5.0BGA-3CR/16019A,16020A	611-1138	60
5.0BGA-3CR/16004B,16004C	611-1146	64
5.0BGA-3CR/16015B,16015C,16020B,16020C	611-1147	65
4.0BGD-FB/1932A,7512A,30503A,30504A	611-1182	79
4.0BGE-1R/26100D,26100E,26101D,26101E,26109E	611-1174	76
4.0BGE-1R/26100F,26101F,26109F	611-1180	78
4.7BGE-1R/26100A,26101A	611-1174	76
4.0BGE-3CR/28202C,28202E,30981E	611-1176	77
4.0BGEL-1R/26110D,26111B,26111D	611-1174	76
5.0BGM-FA/26105A	611-1186	81
4.0CCK-**R/1J	611-0236	23
4.0CCK-1R/1J through 23J,1681J,6000J,7723J,8010J,8782J	611-0914	30
4.0CCK-1R/6000N,6000P,8643P,9290N,9525N,9525P,9625N 10108N,10108P,10298P,11411P,11497P	611-1035	36
4.0CCK-1R/8216J,8444J,9633P,9638N	611-1002	35
4.0CCK-1R/8793J,9470P,9620N,9840N,10476N,10476P, 11191P,11586P,11673P,11852P	611-1036	37
4.0CCK-1R/8815J	611-1039	39
4.0CCK-1R/9403J,10156J,10729J	611-1049	41
4.0CCK-1R/9381N	611-1054	44
4.0CCK-3R/6000J	611-0839	27
4.0CCK-3R/6000P,9381N,9381P	611-1067	46
4.0CCK-3CR/6000J	611-0975	34
4.0CCK-3CR/6000P,9525P	611-1035	36
4.0CCK-3CR/6000R,9525R,11693R,11721R,12000R,12019R, 12273R,12276R,13290R,14608R,16557R	611-1086	50
4.0CCK-3CR/17389U	611-1127	56
4.0CCK-3CR/15000U,16000U,16004U,20887U,21378U, 22650U,23659U,24044U	611-1142	63
5.0CCK-1R/1A	611-0176	22
5.0CCK-2R/1A	611-0176	22
5.0CCK-1RV6000/1J,5360J,6000J,7036J,7036P,1681J,12J	611-0914	30
5.0CCK-1RV6000/13J	611-0957	32
5.0CCK-1R/8216J,8444J,9469J,9633N	611-1002	35
5.0CCK-1R/6000N,6000P,8643P,8686P,8779J,9290N,9525N, 9525P,9625N,9641N,9701N,10108P, 10476N,10476P,10883P,11040P,11479P	611-1035	36
5.0CCK-1R/8815J	611-1039	39
5.0CCK-1R/9403J	611-1049	41
5.0CCK-1R/9470N,9470P,9620N,11191P,11852P,12015P	611-1036	37
5.0CCK-3RV/4262J,4262F,5662J	611-0676	24
5.0CCK-3RV/5121J	611-0786	25
5.0CCK-3RV/5222J	611-0801	26
5.0CCK-3RV/5605J	611-0164	21
5.0CCK-3RV/5262J	611-0871	28
5.0CCK-3CRV6000/1J,5360J	611-0839	27
5.0CCK-3CRV6000/12J	611-0975	34
5.0CCK-3RV6000/13J	611-0963	33
5.0CCK-3RV6206J,7823J	611-0902	29

MODEL NUMBER AND SPEC LETTER

WIRING DIAGRAM

SEE PAGE

RV Gasoline (Continued)

5.0CCK-3CR/6000R,10108R,11979R,12000R,12019R,12233R, 12276R,13040R,14618R,14780R,16437R, 16557R,16778R	611-1086	50
5.0CCK-3CR/9329J,9494N	611-1047	40
5.0CCK-3CR/9403J	611-1061	45
5.0CCK-3CR/9433J,9433N	611-1050	42
5.0CCK-3CR/8793J,9525N,9620N	611-1036	37
5.0CCK-3CR/1U,2U,3U,15000U,20508U,21378U,23034U	611-1142	63
5.0CCK-4R/18089U,16000U,17386U,17789U	611-1127	56
5.0CCK-4R/23969U	611-1142	63
5.0CCK-5DR/12018R,12233R	611-1086	50
5.0CCK-5DR/17233U	611-1127	56
6.0CCKB-3R/6000B,7821B,8327B	611-0955	31
6.0CCKB-3R/6000C,6000D,7821C,7821D,8327C,8779B,9525C 9525D,9525E,10339C,11544D,12000D, 12000E	611-1037	38
7.5DKD-FJ/27798C,27799C	AC 612-6184	82
7.5DKD-FJ/27798C,27799C	DC 612-6353	83
8.0DKD-3CR/29686B	AC 612-6442	85
8.0DKD-3CR/29686B	DC 612-6441	84
8.0DKD-FJ/29686C,32448C	AC 612-6442	85
8.0DKD-FJ/29686C,32448C	DC 612-6441	84
15.0DL3-J/30437A,30438A	AC 612-6460	86
15.0DL3-J/30437A,30438A	DC 612-6442	85
2.2KV-FA/26100A	610-0375	20
2.8KV-FA/26100A	610-0375	20
6.0NH-1R/9000A,9500A	611-1094	51
6.0NH-1R/9000E,9000G,9000H	611-1109	53
6.5NH-3CE/10000D,21880L	606-0215	11
6.5NH-3CE/16375D,16777D	606-0209	10
6.5NH-3CR/6000A,10005A	611-1052	43
6.5NH-3CR/6000B,6000C,8686C,10005C,10182C,10621C, 11590C,11632C,11845C	611-1079	48
6.5NH-3CR/10250A	611-1076	47
6.5NH-3CR/10760C	611-1080	49
6.5NH-3CR/1D,9D,12D,13D,14D,6000D,12000D,12230D, 12894D,15336D	611-1086	50
6.5NH-3CR/15000D,15000L,18768L,19701L,23033L, 23034L,25051P	611-1142	63
6.5NH-3CR/16000J,16002J,16004J,17789J,18629J	611-1127	56
6.5NH-3CR/16000A,16000K,16004K	611-1135	36
6.5NH-3CR/16004M,16004N,16004P,16013P,26785P	611-1146	64
6.5NH-3CR/16019K,16020K,20909K	611-1138	60
6.5NH-3CR/16020M,16020N,16020P	611-1147	65
6.5NH-3CR/17198D,18105D,18106D	611-1134	58
6.3NHEL-1R/26110D,26111D	611-1174	76
6.5NHEL-1R/26110C,26111C	611-1174	76
6.5NHE-1R/26100C	611-1174	76
6.5NHE-1R/26100D,26100E,26101D	611-1180	78
6.5NHE-FA/26101E	611-1180	78
6.5NHE-3CR/30982C,30983C	611-1176	77

MODEL NUMBER AND SPEC LETTER**WIRING DIAGRAM****SEE PAGE****RV Gasoline (Continued)**

6.3NHL-3CR/16013P	611-1167	73
6.3NHL-3CR/16014P	611-1169	74
6.3NHEL-1R/26110A,26111A	611-1174	76
6.5NHE-1R/26100A,26101A	611-1174	76

AUX Sets

4.0BFA-1R/23000C,23001C,23003C,23004C	611-1160	69
6.5NH-3CR/23000P,23001P,23002P,23003P,23004P	611-1160	69
3.0RDJA-1R/23001U	611-1163	70
4.0DKC-3CR/23006B ¹ ,23007B ²	AC 612-6184	82
7.5DKD-3R/23008B,23009B	AC 612-6184	82
7.5DKD-3R/23008B,23009B	DC 612-6353	83
7.5DKD-3CR/23006B ¹ ,23007B ²	DC 612-6353	83
7.5DKD-5DR/23006B	AC 612-6184	82
7.5DKD-5DR/23006B	DC 612-6353	83
7.5DKD-FB/23006C,23007C,23008C,23009C	AC 612-6184	82
7.5DKD-FB/23006C,23007C,23008C,23009C	DC 612-6353	83

Diesel RV Sets

7.5DKD-3CR/27798A ¹ ,27798B ²	AC 612-6184	82
7.5DKD-3CR/27799A ¹ ,27799B ²	DC 612-6353	83
7.5DKD-FJ/27798C,27799C	AC 612-6184	82
7.5DKD-FJ/27798C,27799C	DC 612-6353	83
8.0DKD-3CR/29686B	AC 612-6442	85
8.0DKD-3CR/29686B	DC 612-6441	84
8.0DKD-FJ/29686C,32448C	AC 612-6442	85
8.0DKD-FJ/29686C,32448C	DC 612-6441	84
15.0DL3-J/30437A,30438A	AC 612-6442	85
15.0DL3-J/30437A,30438A	DC 612-6460	86
12.0RDJC-3R/21680AC	612-5787	71

Mobile and Commercial Units

4.0BFA-5DR/29309D (Time Manufacturing)	611-1142	63
4.5BGD-FB/1A,30502A	611-1182	79
4.5BGD-FD/1A,30502A	611-1184	80
6.5NH-5DR/26725P (Gen Cable)	611-1170	75
6.3NHD-FB/1932A,1932B,7512A,7512B,30503A,30503B, 30504A,30504B	611-1182	79
6.5NHD-FB/1A,1B,30502A,30502B	611-1182	79
6.5NHD-FD/1A,1B,30502A,30502B	611-1184	80

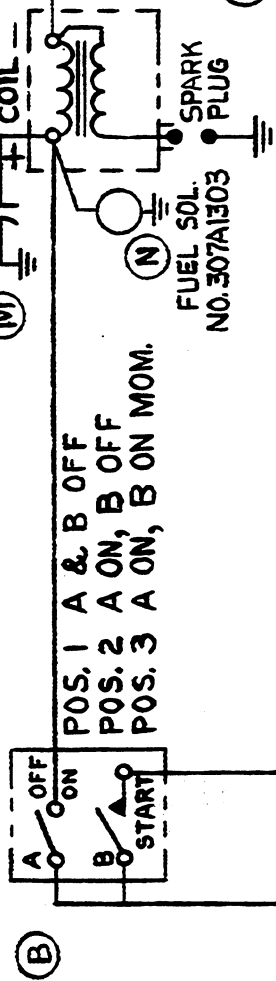
**REPLACEMENT CONTROLS FOR 300-0859 PRINTED CIRCUIT BOARD
KIT NUMBER**

300-1598 CCK,NH with Onan Choke (RV)	611-1141	62
300-1599 CCK,NH with Sisson Choke (RV)	611-1141	62
300-2026 CCK,NH with Onan Choke & Start-Disconnect for RV	611-1157	68
300-2027 CCK,NH with Sisson Choke & Start-Disconnect for RV	611-1157	68
300-1884 Standard CCK,NH with Onan Choke	611-1152	67
300-1885 Standard CCK,NH with Thermo-Magnetic Choke	611-1152	67

¹=STD FAN ROTATION²=REV FAN ROTATION

605A83

IGNITION & START SWITCH NO. 308A140 *



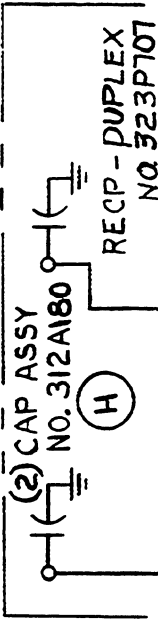
SUPPRESSION CAPACITOR (M)

BREAKER & CAPACITOR ASSY

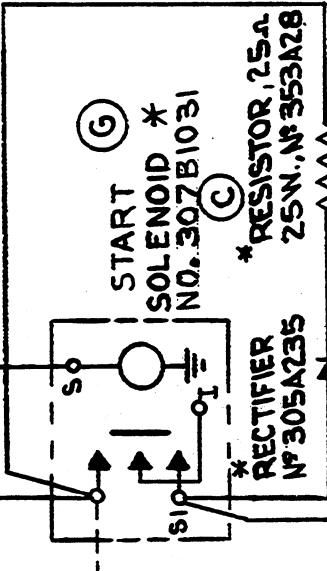
POS. 1 A & B OFF
POS. 2 A ON, B OFF
POS. 3 A ON, B ON MOM.

FUEL SOL. NO. 307A1303 (N)

RECEPTACLE BOX NO. 330A68 (E)
COVER - RECP BOX NO. 330-16

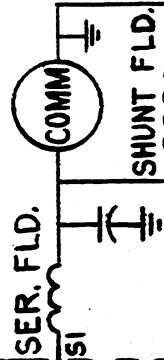


(F) * COMPONENTS FURNISHED AS PART OF 191C709



(G) START SOLENOID * NO. 307B1031
* RESISTOR, 25Ω
* RESISTOR, 25Ω, NO. 353A28

GENERATOR



M1 M2

NOTE: AC LEAD UNGROUNDED IN GENERATOR

N	ADDED FUEL SOLENOID	GT	9-10-74
M	ADDED CAPACITOR	GT	12-10-71
L	ADDED 50 CY	GT	6-9-70
K	WAS 323-184	GT	4-24-70
J	ADDED DASH NO	GT	4-23-70
H	CAP ASSY WAS 312A52	GT	10-31-68
C	REVERSED RES. & RECT.	GT	8-23-68

G	WAS 307B367	GT	7-10-68
F	WAS "FURNISHED BY CUSTOMER"	GT	5-15-68
E	WAS 330A66 # 330-42	GT	5-15-68
E	RECP BOX WAS 330A67	GT	3-8-68
A	WAS 105AJ-1EV/6820K	GT	2-23-68
D	ADDED RECP BOX & PARTS	GT	2-13-68
C	ADDED RES. & RECT.	GT	12-5-67
B	REV. IGNITION & START SW.	GT	12-5-67
A	WAS 205AJ-1EV/6541K	GT	12-5-67
LET.		ENG	
		CKR	
		DATE	



DIVISION OF STUDEBAKER INDUSTRIES, INC.
Minneapolis, Minnesota

DATE	10-24-67	DR.	CDR	ENGR.	WJB	SC.
NAME	WIRING DIAGRAM					
MODEL	205AJ-1EV/6820K					
	ENG. - GEN. CONTROL					

DWG. NO. 605A83

-01 120 V., 1 PH., 50/60 CY.

605-107

9728

A

NOTE: PLANT MUST BE STOPPED BY THE SAME SWITCH THAT WAS USED TO START IT.

REMOTE IGN & START SWITCH NO. 308A140 REF

IGNITION & START SWITCH NO. 308A140 *

POS. 1 A & B OFF
POS. 2 A ON, B OFF
POS. 3 A ON, B ON MOMENTARY

IGNITION + COIL

SPARK PLUG

BREAKER & CAPACITOR ASSY

RECEPTACLE BOX NO. 330A68
COVER - RECP BOX NO. 330-16

(2) CAP ASSY NO. 312A180

RECP-DUPLEX NO. 323P707

* COMPONENTS FURNISHED AS PART OF 191C 709

START SOLENOID * NO. 307B1031
* RESISTOR, 25Ω 25W, NO. 353A28
* RECTIFIER NO. 305A235

ELECTRIC CHOKE

GENERATOR

SER FLD

COMM

SHUNT FLD

AC

M1

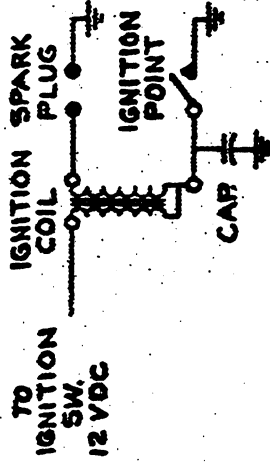
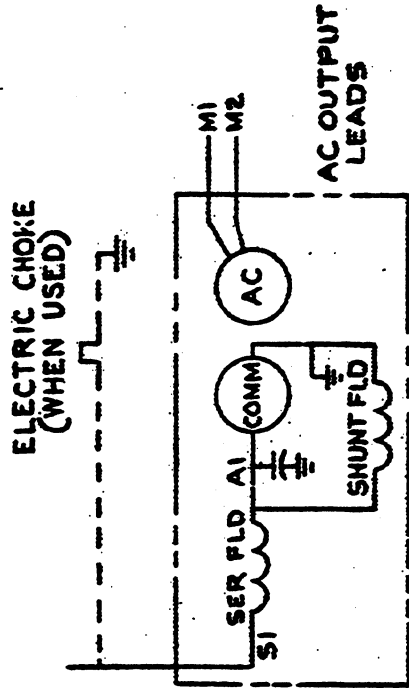
M2


12V BATTERY

DR C I P	SC	LET	REVISION	ENG	CHK	DATE
CKR						
Ongin DIVISION OF ONAN CORPORATION Minneapolis, Minnesota						
ENGR G. F. T.						
DATE 6-7-71						
CONTROL-GEN SET (WIRING DIAGRAM)						
2.5AJ-1E/10898K						DWG SIZE A
605-107						

120 V, 1PH,
2 W, 50/60 CY

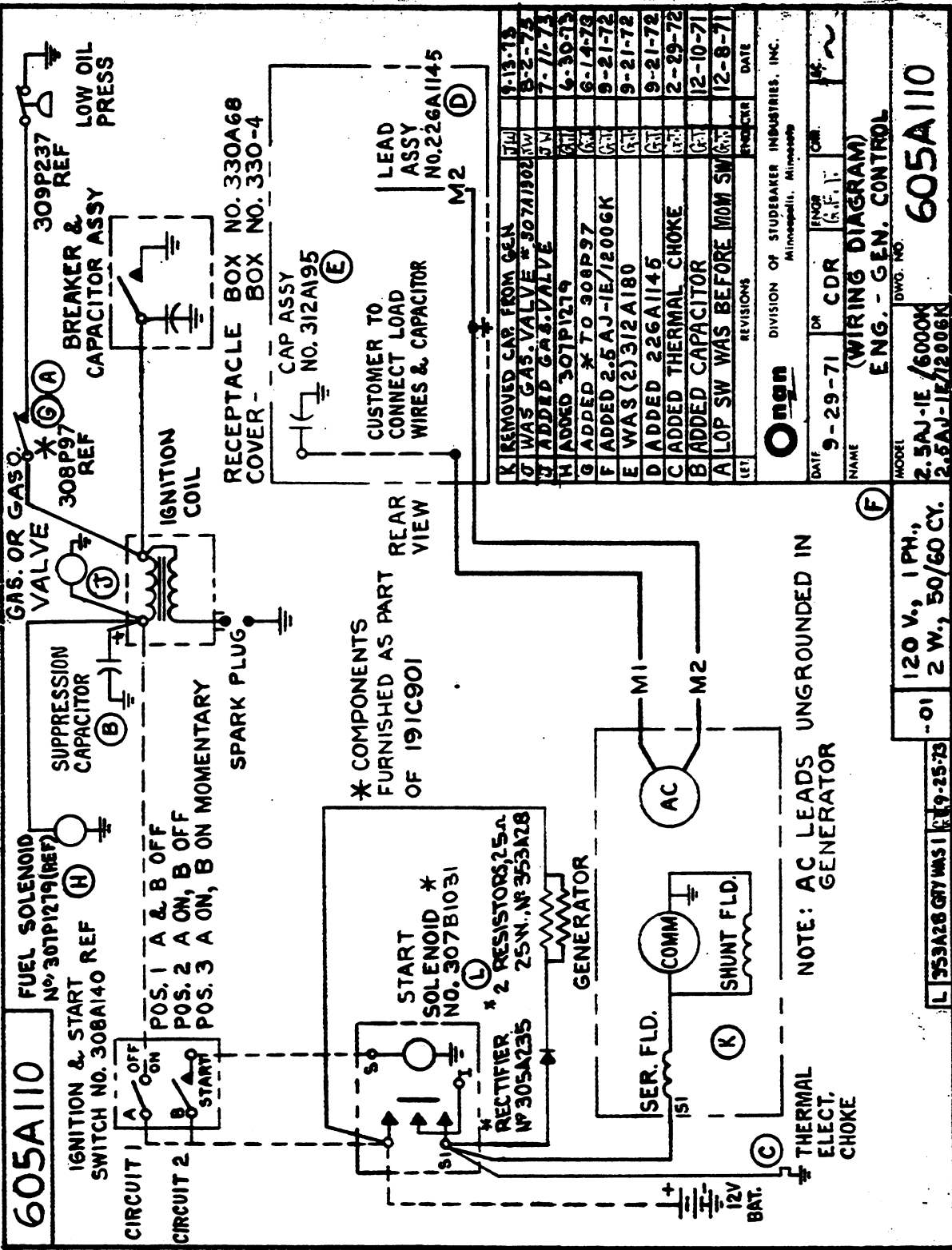
605A108



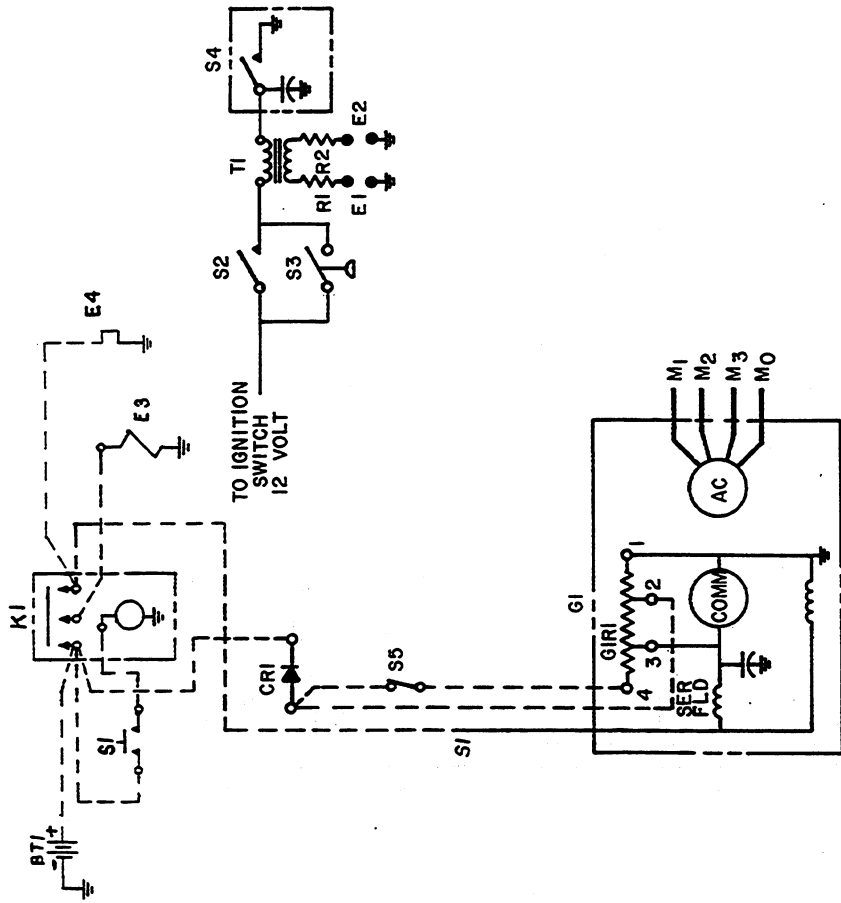
REV.	REVISIONS	ENGR.	CHKD.	DATE
 DIVISION OF STUDEBAKER INDUSTRIES, INC. Minneapolis, Minnesota				
DATE	6-16-71	DR.	CDR	ENGR.
				G.F.T.
NAME				SC.
ENGINE GEN SET				
(WIRING DIAGRAM)				
MODEL	2.5LK-1R/10935J			
DRG. NO.				605A108

COMM END ← → BEARING END

M2 GROUNDED AC LEAD, M1 HAS 0.1 MFD CAPACITOR TO GROUND



606-0205B



M0 GROUND AC LEAD

REF. DES.	PART NO.	QTY	DESCRIPTION
* CR1		1	RECTIFIER AND HEAT SINK
* BT1		1	BATTERY
E1, E2		2	SPARK PLUG
** E3		1	CHOKE - S1SSON
GI		1	GENERATOR
RI, 2		2	RESISTOR-GENERATOR LEAD ASSY
* S1		1	SWITCH-START
S2		1	SWITCH-OIL PRESS BY PASS
S3		1	SWITCH-OIL PRESS BREAKER & CAP ASSY
S4		1	SWITCH-HIGH CHARGE RATE
T1		1	COIL-IGNITION
E4		1	CHOKE-ONAN
K1		1	RELAY - START SOLENOID

* SUPPLIED BY CUSTOMER

** WHEN USED

(B)

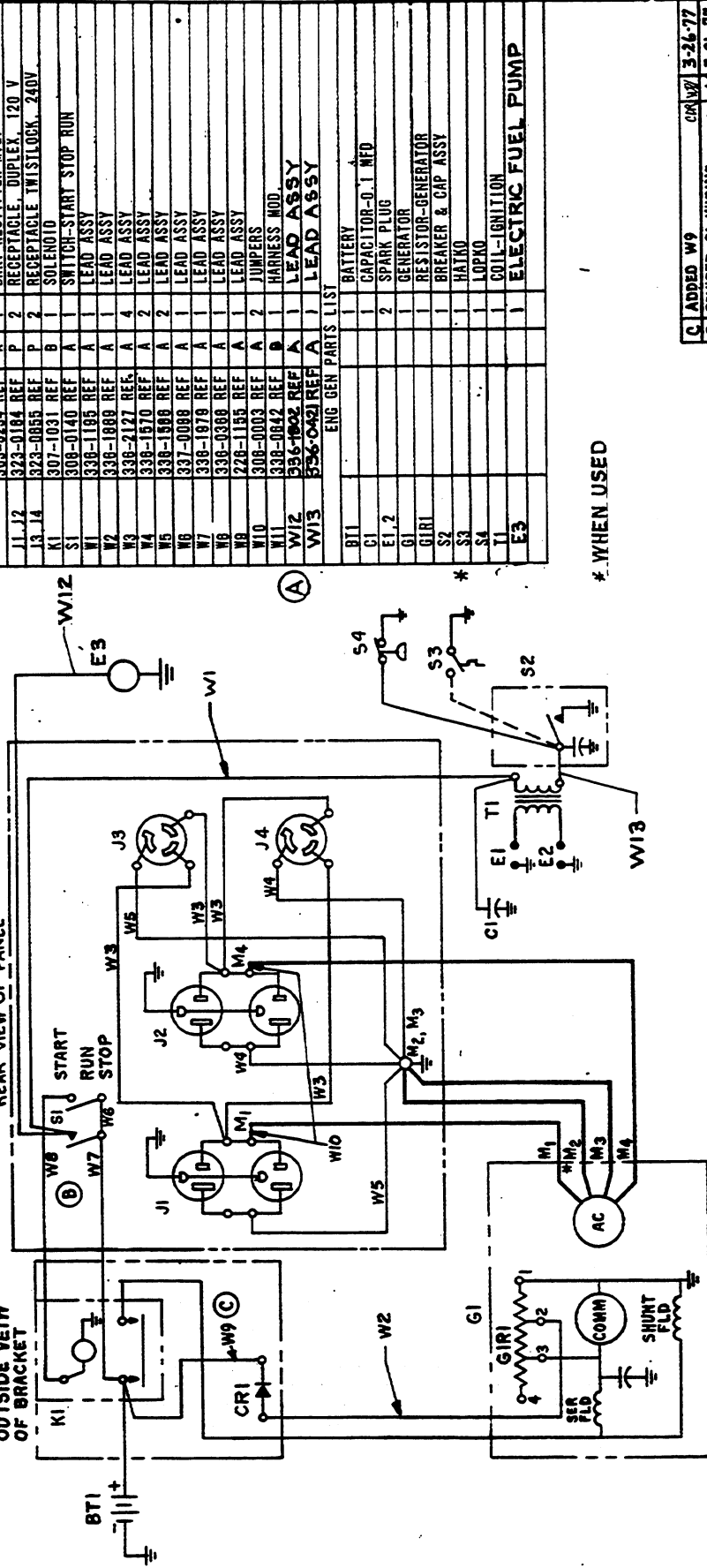
3718	B	ADDED E4	R/W	10-6-80
A	ADDED START SOLENOID	DATE	7-2-73	
ER		REVISION	CEI	DATE
Ogion DIVISION OF SUBBAKER CORPORATION Altoona, Pa., U.S.A.				
MODEL NO.	DATE	BY	CHK	
4.0CCK-5DE/13495R	6-11-73	JTM	G.F.T.	
NAME CONTROL-GEN SET (WIRING DIAGRAM)				
120/240V., 3 PH., 4W., 60Hz Δ	DWG. NO.	606-0205		
		B		
HUNTSVILLE				

606-0205

606-0209

OUTSIDE VIEW OF BRACKET

REAR VIEW OF PANEL



* GROUND AC LEAD, OTHERS HAVE
 .1 MFD CAPACITOR TO GROUND IN GEN

606-0209

REF	DES	PART NO.	QTY	DESCRIPTION
A1		300-1318	0	CONTROL ASSY
		305-0235	1	RECTIFIER
		305-0254	1	BRKT-RECTIFIER MFG.
		323-0184	2	RECEPTACLE, DUPLEX, 120 V
		323-0855	2	RECEPTACLE TWISTLOCK, 240V
		307-1031	1	SOLENOID
		308-0140	1	SWITCH-START STOP RUN
		338-1185	1	LEAD ASSY
		338-1889	1	LEAD ASSY
		338-2127	4	LEAD ASSY
		338-1570	2	LEAD ASSY
		338-1888	2	LEAD ASSY
		337-0088	1	LEAD ASSY
		338-0388	1	LEAD ASSY
		338-1185	1	LEAD ASSY
		308-0003	2	JUMPERS
		338-0842	1	HARNES MOD.
		336-1802	1	LEAD ASSY
		336-0492	1	LEAD ASSY
ENG GEN PARTS LIST				
		BT1	1	BATTERY
		C1	1	CAPACITOR-0.1 MFD
		E1,2	2	SPARK PLUG
		G1	1	GENERATOR
		G1R1	1	RESISTOR-GENERATOR
		S2	1	BREAKER & CAP ASSY
		S3	1	HATKO
		S4	1	LOPKO
		T1	1	COIL-IGNITION
		E3	1	ELECTRIC FUEL PUMP

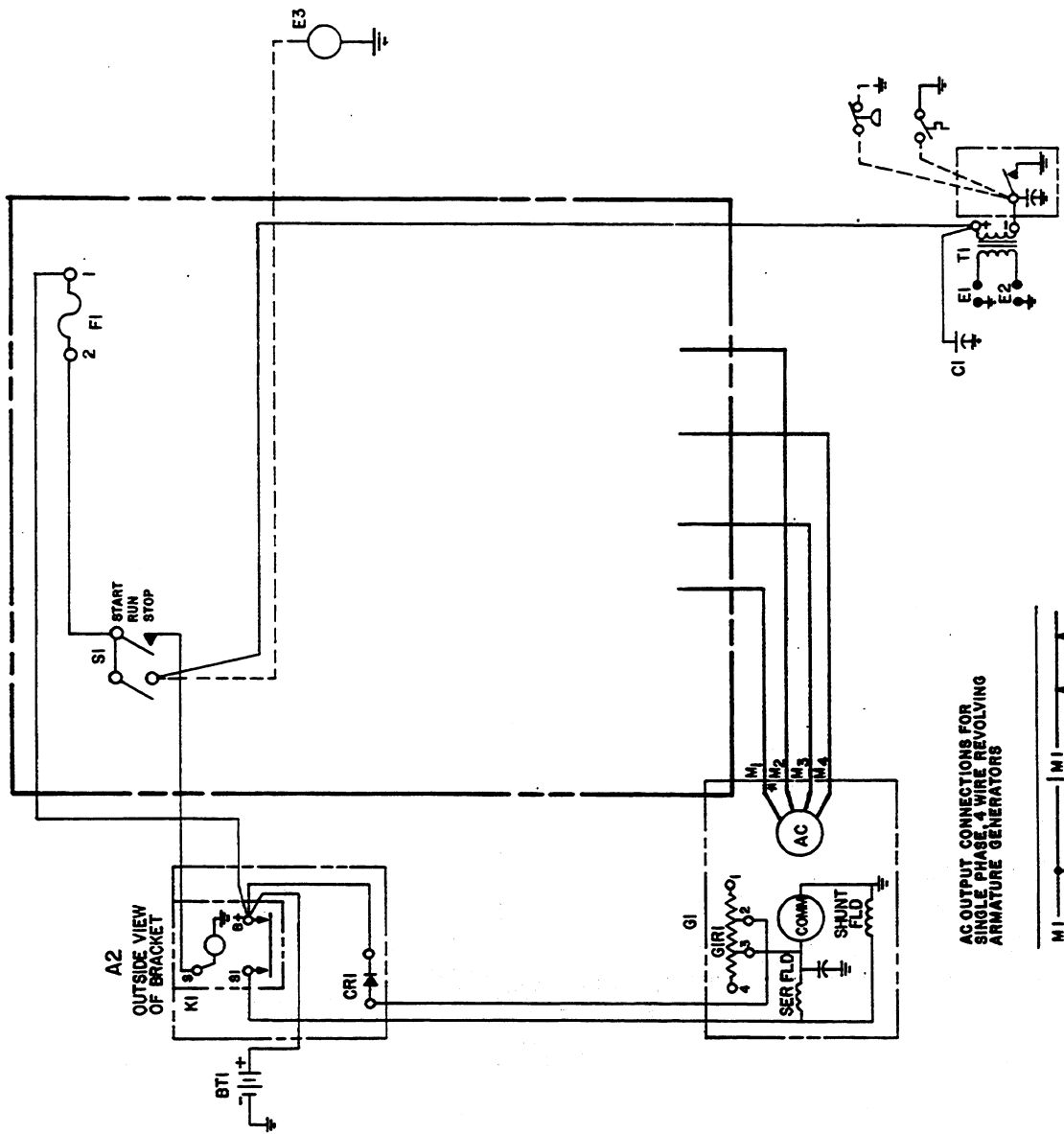
* WHEN USED

C	ADDED W9	CR/W9	3-26-77
B	REVISED S1 WIRING	CR/W1	3-24-77
A	ADDED ITEMS W12/W13/W14	CR/W1	10-2-75
REV	REVISION	CR	DATE
DIVISION OF STURBEAR CORPORATION Muskegon, Michigan			
PROJ NO	9-3-75	REV	W/M
CONTROL - GEN SET (WIRING DIAGRAM)			
QTY	606-0209	REV	B

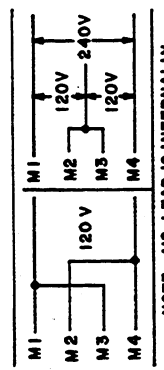
PROJ NO	6.5 MH-3CE/16375 D
QTY	120/240V, 1PH, 4 W, 60 CY

606-0215

A1
REAR VIEW OF PANEL



AC OUTPUT CONNECTIONS FOR SINGLE PHASE 4 WIRE REVOLVING ARMATURE GENERATORS



NOTE: M2 LEAD IS INTERNALLY GROUNDING IN GENERATOR

NOTES:
1.

PARTS LIST		REF DES	PART NO.	QTY	DESCRIPTION
A1	300-208	C	1	PANEL ASSY	
A1	300-209	D	1	CONTROL ASSY	
ALL PART NOS LISTED BELOW ARE REF ONLY					
CRI	357-0030	P	1	RECTIFIER - SILICON	
KI	307-031	B	1	SOLENOID	
SI	308-0140	A	1	SWITCH - TOGGLE (START RUN STOP)	
WI1	358-0842	B	1	HARNESSES - AC-OUT PUT	
F1	321-0174	P	1	FUSE 5 AMP	
ENG GEN PARTS LIST					
BT1			1	BATTERY	
CI			1	CAPACITOR - 0.1 MFD	
E1,2			2	SPARK PLUG	
GI			1	GENERATOR	
GIR1			1	RESISTOR - GENERATOR	
S3			1	BREAKER & CAP ASSY	
S4			1	HATKO	
S5			1	LOPKO	
T1			1	COIL - IGNITION	
E3			1	ELECTRIC FUEL PUMP	

606-0215

1219	ERL	1219	ERL	1219	ERL
DIVISION OF CHRYSLER CORPORATION MINNEAPOLIS, MINNESOTA					
606-0215					

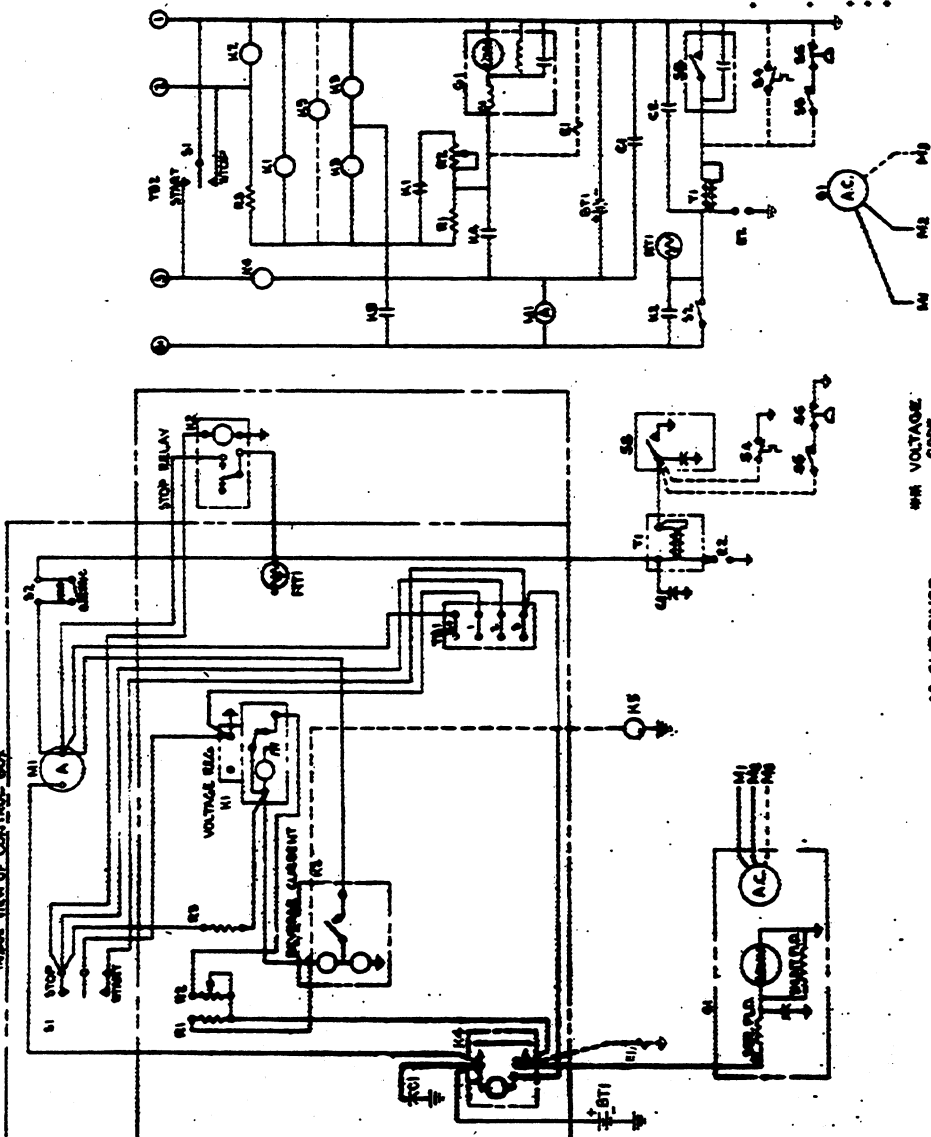
6.5NH-3CE/21880L
CONTROL - GEN SET
(WIRING DIAGRAM)

606-0215
C

610C266

WIRING DIAGRAM

INSIDE VIEW OF CONTROL BOX

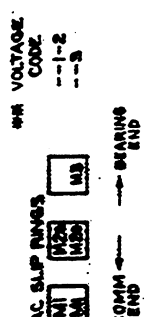


SCHEMATIC DIAGRAM

PARTS LIST

REF. DIS.	PART NO.	QTY.	DESCRIPTION
C1	312A155	1	CAPACITOR ASSY. 1.0 MFD
K1	305A1	1	RELAY - 2 STEP VOLTAGE REG
K2	307A1115	1	RELAY & LEAD ASSY. - STOP
R3	307B253 (REF)	1	RELAY - STOP
R3	307B180	1	RELAY - REVERSE CURRENT
K4	307B1046	1	RELAY - START CURRENT
M1	302A58	1	AMMETER - CHARGE 10-10
	304A583	1	RESISTOR & LEAD ASSY
R1	304A344 (REF)	1	RESISTOR 1.0 25W
R2	304A175 (REF)	1	RESISTOR 1.0 50P
S1	308B292	1	SWITCH ASSY - RMT START
R3	308P154 (REF)	1	SWITCH - STOP START
R3	304A251 (REF)	1	RESISTOR 30 0 5W
S2	308B291	1	SWITCH & RESISTOR ASSY
S2	308B2 (REF)	1	SWITCH - HAND ELEC START
RT1	304A60 (REF)	1	RESISTOR 1.72 0. 25W
T81	332A597	1	TERMINAL BLOCK
	332A586	1	MARKER STRIP
W1	336A1432	1	LEAD ASSY
W2	336A1263	1	LEAD ASSY
W4	336A1430	1	LEAD ASSY
W5	336A585	1	LEAD ASSY
W6	336A1045	1	LEAD ASSY
W6	336A1431	1	LEAD ASSY
			CONTROL BOX & PANEL ASSY
			MFG BRACKET
			COVER
			ENDPLATE
			SILK SCREEN
			SILK SCREEN
PARTS LIST (ENG-GEN) 992C0019			
B1	312A99 (REF)	1	BATTERY 12 VOLT
C2	312A99 (REF)	1	CAPACITOR 0.1 MFD
E1		1	ELECTRIC CHOKE
E2		1	SPARK PLUGS
G1		1	GENERATOR
H5	307B212 (REF)	1	FUEL SOLENOID
S3		1	BREAKER & CAP ASSY
S4	308A2 (REF)	1	SWITCH - HIGH AIR TEMP.
S5	308-87 (REF)	1	SWITCH
S6	308A10 (REF)	1	SWITCH - LOW OIL PRESS
T1		1	IGNITION COIL - (OHM)

• WHEN USED



NOTE:
 * GROUNDED AC LEAD; OTHERS HAVE
 .1 MFD CAPACITOR TO GROUND IN GEN.

610C266

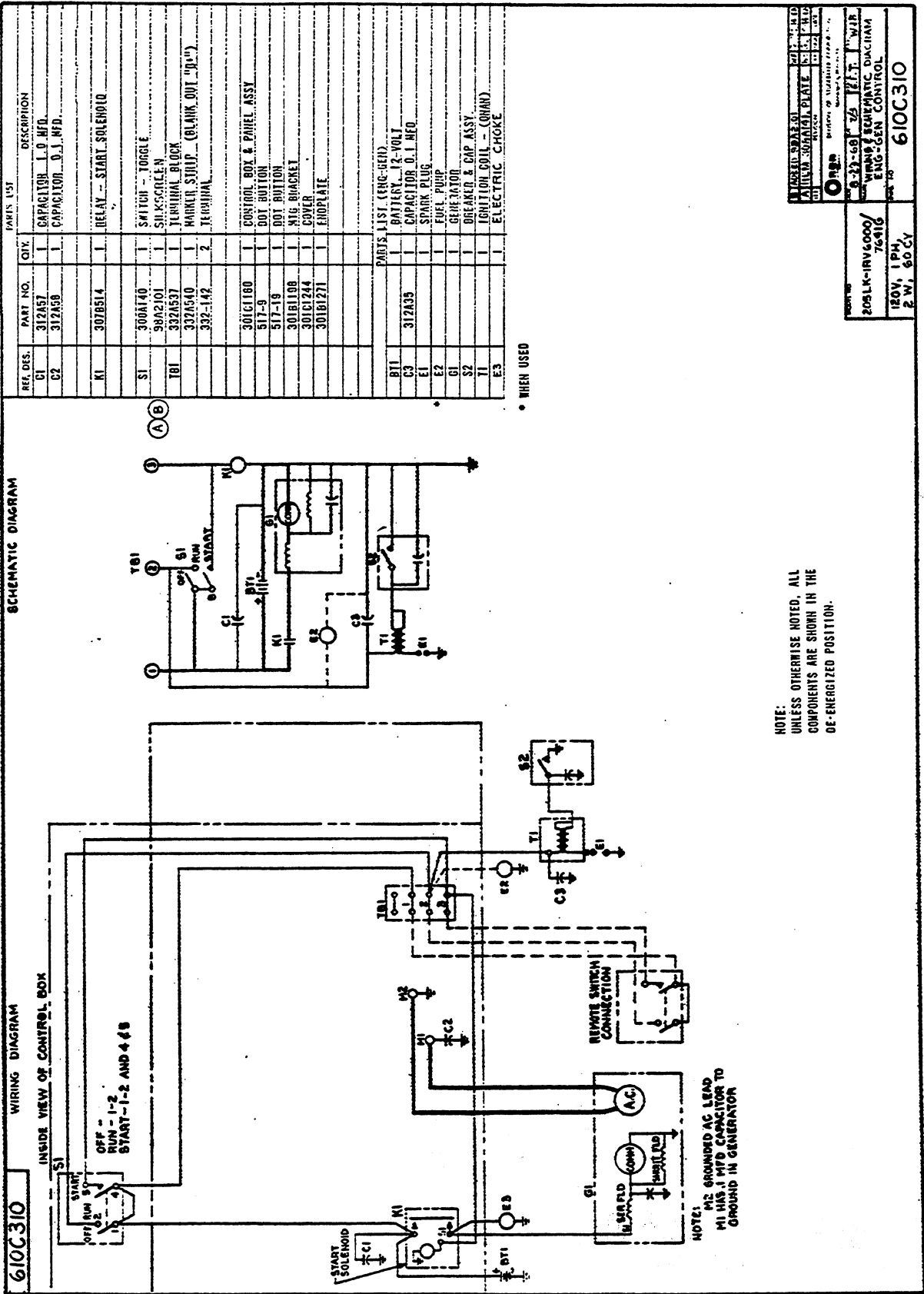
TO: 2-70

BY: GAT

CONTROL-GEN SKT
 (WIRING DIAGRAM)

01 610C266/4/6

610C266



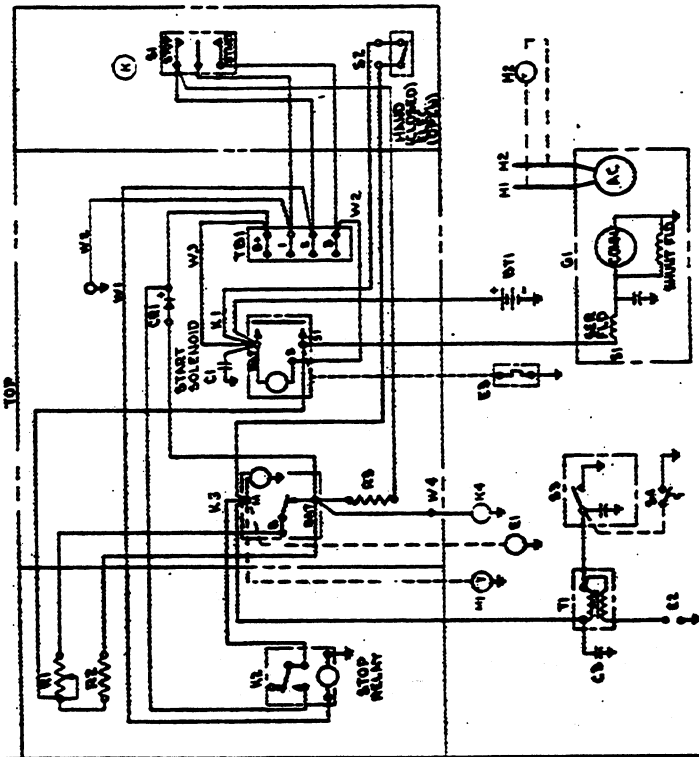
NOTE:
UNLESS OTHERWISE NOTED, ALL
COMPONENTS ARE SHOWN IN THE
DE-ENERGIZED POSITION.

FIELD NO.	DATE	BY	REV.
1	11-15-59	J.P.T.	1
2	11-15-59	J.P.T.	2
3	11-15-59	J.P.T.	3
4	11-15-59	J.P.T.	4

2051K-1RV4000/ 76310	610C310
120V, 1 PH, 2 W, 60 CY	

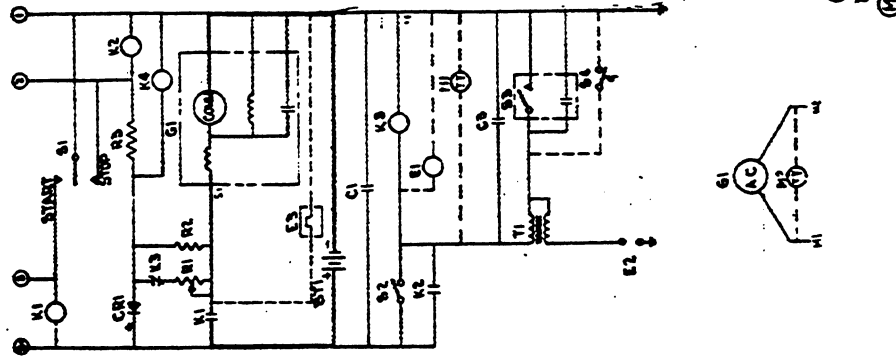
610C313

WIRING DIAGRAM
INSIDE VIEW OF BOX
TOP



NOTE:
W2 IS GROUND AC LEAD
M1 M2 ARE .1 MFD CAPACITOR TO
GROUND IN GENERATOR.

SCHEMATIC



PARIS LIST

REF. DES.	PART. NO.	QTY.	DESCRIPTION
G1	312A185	1	CAPACITOR ASSY
	305A494	1	DIODE ASSY
CRI	305B235(REF)	1	DIODE-REVERSE CURRENT
	305A235(REF)	1	HEAT SHIELD
K1	307B 046	1	RELAY-START SOLENOID
K2	307A1120	1	KILLAY & LEAD ASSY-STOP
K3	307B253(REF)	1	RELAY-STOP
	305B383	1	RELAY-2 STEP VOLTAGE
R1	304A175(REF)	1	RESISTOR ADJ. 1 OHM .50 W
R2	304A344(REF)	1	RESISTOR-FIXED 1 OHM .25 W
S1	308P154(REF)	1	SWITCH-START/STOP
R3	331A1251-REC	1	RES. 210R 30 OHM .5 W
S2	308A300	1	SWITCH 3 LEAD ASSY
T1	308P2 (REF)	1	SWITCH (HAND-ELECT START)
	332A537	1	TERMINAL BLOCK
	327A586	1	MARKER STRIP
W1	336A2024	1	LEAD ASSY 1B
W2	336A1045	2	LEAD ASSY 0
W3	336A2023	1	LEAD ASSY 12
W4	336A1590	1	LEAD ASSY 22
	30103101	1	CONTROL BOX
	30183102	1	COVER
	99A2117	1	SIL-SCREEN
	332-517	1	TERMINAL
	508-1	3	GROMMET
			PARIS LIST (LONG-SENTRY)
B1			BATTERY-12 VOLT
C3	312A162(REF)	1	CAPACITOR 0.1 MFD
E1			FUEL PUMP
E2			SPARK PLUG
E3			CHROME-ELECT.
G1			GENERATOR
G2			BREAKER & CIP ASSEMBLY
G3	308A2 (REF)	1	SWITCH-HIGH AIR TEMP
T1			IGNITION COIL (OHM)
K4	307P312(REF)	1	SOLENOID-FUEL (GAS)
	307P311(REF)	1	SOLENOID-FUEL (GASOLINE)
M1			METER-RUNNING TIME, 12 VDC
M2			METER-RUNNING TIME, AC

610C313

↑ WHEN USED

NOTE:
UNLESS OTHERWISE NOTED ALL
COMPONENTS ARE SHOWN IN THE
DE-ENERGIZED POSITION

①	17 LK-528/9290 H	205 LA-11V6000/H	1PH, 120V, 60 CY
②	17 LK-588/6000 J	1PH, 120V, 60 CY	
③			

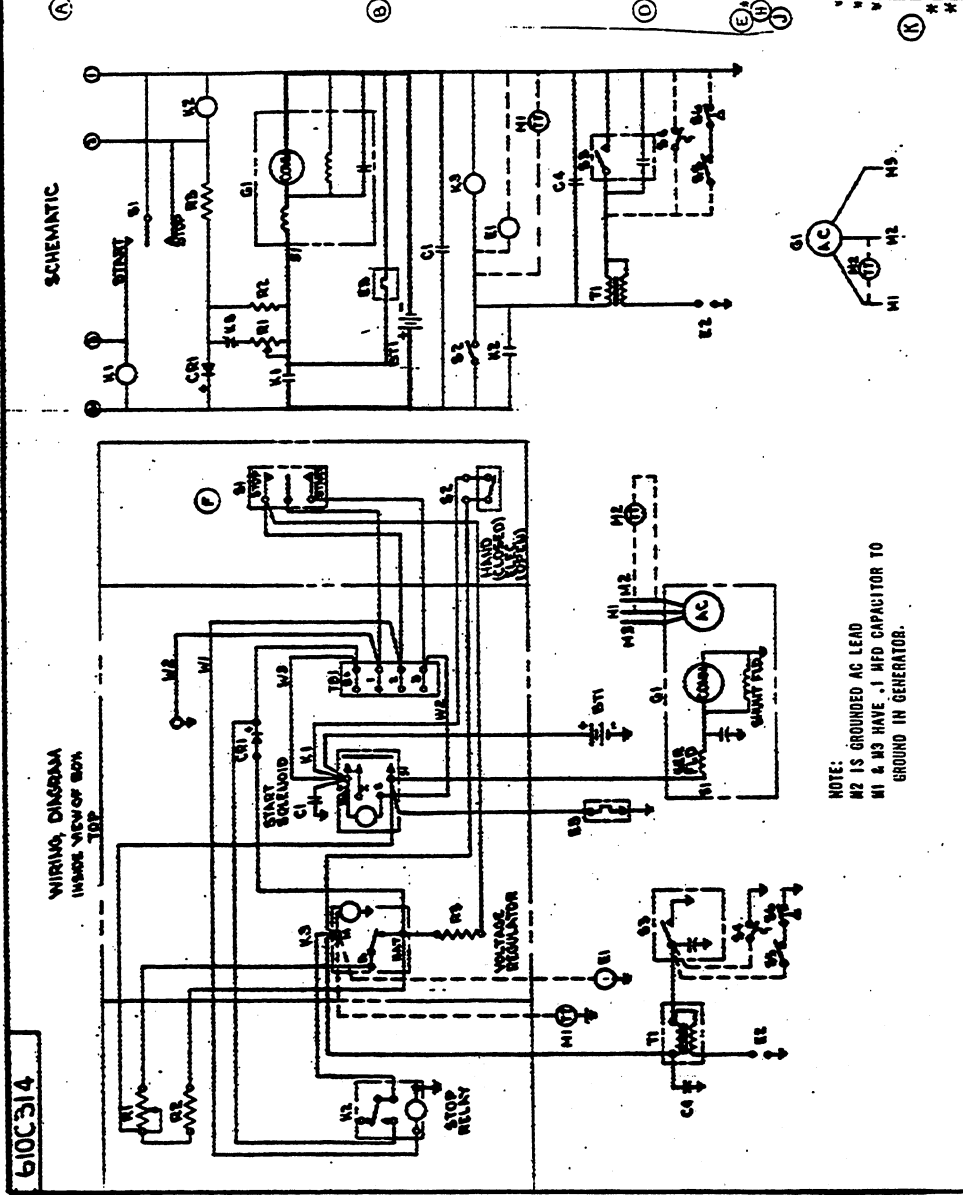
④	307P312(REF)	1	SOLENOID-FUEL (GAS)
⑤	307P311(REF)	1	SOLENOID-FUEL (GASOLINE)
⑥	307B253(REF)	1	RELAY-STOP
⑦	307A1120	1	KILLAY & LEAD ASSY-STOP
⑧	307B 046	1	RELAY-START SOLENOID
⑨	305B235(REF)	1	DIODE-REVERSE CURRENT
⑩	305A494	1	DIODE ASSY
⑪	312A185	1	CAPACITOR ASSY

⑫	308A2 (REF)	1	SWITCH-HIGH AIR TEMP
⑬	308P2 (REF)	1	SWITCH (HAND-ELECT START)
⑭	332A537	1	TERMINAL BLOCK
⑮	327A586	1	MARKER STRIP
⑯	336A2024	1	LEAD ASSY 1B
⑰	336A1045	2	LEAD ASSY 0
⑱	336A2023	1	LEAD ASSY 12
⑲	336A1590	1	LEAD ASSY 22
⑳	30103101	1	CONTROL BOX
㉑	30183102	1	COVER
㉒	99A2117	1	SIL-SCREEN
㉓	332-517	1	TERMINAL
㉔	508-1	3	GROMMET
㉕			PARIS LIST (LONG-SENTRY)
㉖			BATTERY-12 VOLT
㉗	312A162(REF)	1	CAPACITOR 0.1 MFD
㉘			FUEL PUMP
㉙			SPARK PLUG
㉚			CHROME-ELECT.
㉛			GENERATOR
㉜			BREAKER & CIP ASSEMBLY
㉝	308A2 (REF)	1	SWITCH-HIGH AIR TEMP
㉞			IGNITION COIL (OHM)
㉟	307P312(REF)	1	SOLENOID-FUEL (GAS)
㊱	307P311(REF)	1	SOLENOID-FUEL (GASOLINE)
㊲			METER-RUNNING TIME, 12 VDC
㊳			METER-RUNNING TIME, AC

610C313

REF. DES.	PART NO.	QTY.	DESCRIPTION
C1	312A102	1	CAPACITOR, ASSY.
CRI	308A294	1	DIODE, ASSY
	305B235(CHE)	1	DIODE, REVERSE CURRENT
	305A254(CHE)	1	HEAT SINK
K1	307A1045	1	RELAY-START SOLENOID
K2	307A1120	1	RELAY & LEAD ASSY-STOP
K3	307D253(CHE)	1	RELAY-STOP
R1	305B900	1	RELAY-2 STEP VOLTAGE
R2	304A601	1	RESISTOR-40Ω
	304A244(CHE)	1	RESISTOR-FIXED 1 OHM, 50 W
	304A244(CHE)	1	RESISTOR-FIXED 1 OHM, 25 W
S1	308A294	1	SWITCH ASSY-RMT START
S3	308P154(CHE)	1	SWITCH-START STOP
S4	304A251(CHE)	1	RESISTOR 30 OHM 5 W
S5	308A300	1	SWITCH & LEAD ASSY
S6	308P21(CHE)	1	SWITCH (ON/OFF/ELECT. START)
T1	332A537	1	TERMINAL BLOCK
W1	332A506	1	MARKER STRIP
W2	308A2024	2	LEAD ASSY 16"
W3	308A1049	2	LEAD ASSY 9"
W4	308A2023	1	LEAD ASSY 12"
			CONTROL BOX
	301D3101	1	COVER
	98A2117	1	SILKSCREEN
	332-517	1	TERMINAL
	500-1	3	DIODEMET
PARTS LIST (ENG-GENY(REF))			
B11	312A102	1	BATTERY-12 VOLT
C3		1	CAPACITOR 0.1 MFD
E1		1	FUEL PUMP OR FUEL
E2		1	SPARK PLUG
E3		1	CHOKER-11.5C
G1		1	GENERATOR
S3		1	DIAGNOSIS & CAP ASSEMBLY
S4	308A2	1	SWITCH-HIGH AIR TEMP
S5	308-97	1	SWITCH
S6	308A10	1	SWITCH-LOW OIL PRESS
T1		1	IGNITION COIL (ONAN)
M1		1	METER - RUNNING TIME, 12 VDC
M2		1	METER - RUNNING TIME, 120 VAC

REF. DES.	PART NO.	QTY.	DESCRIPTION
	312A102	1	BATTERY-12 VOLT
	98A2117	1	SILKSCREEN
	332-517	1	TERMINAL
	500-1	3	DIODEMET
	301D3101	1	COVER
	308A294	1	SWITCH ASSY-RMT START
	308P154(CHE)	1	SWITCH-START STOP
	304A251(CHE)	1	RESISTOR 30 OHM 5 W
	308A300	1	SWITCH & LEAD ASSY
	308P21(CHE)	1	SWITCH (ON/OFF/ELECT. START)
	332A537	1	TERMINAL BLOCK
	332A506	1	MARKER STRIP
	308A2024	2	LEAD ASSY 16"
	308A1049	2	LEAD ASSY 9"
	308A2023	1	LEAD ASSY 12"
			CONTROL BOX
	301D3101	1	COVER
	98A2117	1	SILKSCREEN
	332-517	1	TERMINAL
	500-1	3	DIODEMET
PARTS LIST (ENG-GENY(REF))			
B11	312A102	1	BATTERY-12 VOLT
C3		1	CAPACITOR 0.1 MFD
E1		1	FUEL PUMP OR FUEL
E2		1	SPARK PLUG
E3		1	CHOKER-11.5C
G1		1	GENERATOR
S3		1	DIAGNOSIS & CAP ASSEMBLY
S4	308A2	1	SWITCH-HIGH AIR TEMP
S5	308-97	1	SWITCH
S6	308A10	1	SWITCH-LOW OIL PRESS
T1		1	IGNITION COIL (ONAN)
M1		1	METER - RUNNING TIME, 12 VDC
M2		1	METER - RUNNING TIME, 120 VAC



REF. DES.	PART NO.	QTY.	DESCRIPTION
	312A102	1	BATTERY-12 VOLT
	98A2117	1	SILKSCREEN
	332-517	1	TERMINAL
	500-1	3	DIODEMET
	301D3101	1	COVER
	308A294	1	SWITCH ASSY-RMT START
	308P154(CHE)	1	SWITCH-START STOP
	304A251(CHE)	1	RESISTOR 30 OHM 5 W
	308A300	1	SWITCH & LEAD ASSY
	308P21(CHE)	1	SWITCH (ON/OFF/ELECT. START)
	332A537	1	TERMINAL BLOCK
	332A506	1	MARKER STRIP
	308A2024	2	LEAD ASSY 16"
	308A1049	2	LEAD ASSY 9"
	308A2023	1	LEAD ASSY 12"
			CONTROL BOX
	301D3101	1	COVER
	98A2117	1	SILKSCREEN
	332-517	1	TERMINAL
	500-1	3	DIODEMET
PARTS LIST (ENG-GENY(REF))			
B11	312A102	1	BATTERY-12 VOLT
C3		1	CAPACITOR 0.1 MFD
E1		1	FUEL PUMP OR FUEL
E2		1	SPARK PLUG
E3		1	CHOKER-11.5C
G1		1	GENERATOR
S3		1	DIAGNOSIS & CAP ASSEMBLY
S4	308A2	1	SWITCH-HIGH AIR TEMP
S5	308-97	1	SWITCH
S6	308A10	1	SWITCH-LOW OIL PRESS
T1		1	IGNITION COIL (ONAN)
M1		1	METER - RUNNING TIME, 12 VDC
M2		1	METER - RUNNING TIME, 120 VAC

NOTE: UNLESS OTHERWISE NOTED, ALL COMPONENTS ARE SHOWN IN THE DE-ENERGIZED POSITION.

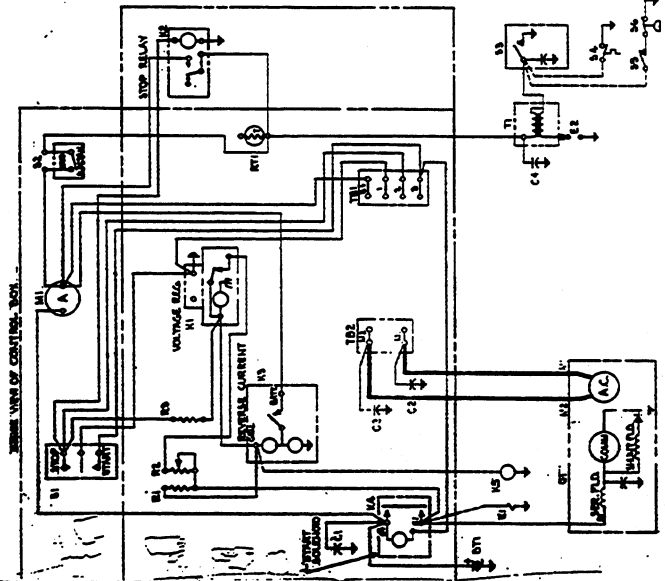
• WHEN USED

610C314

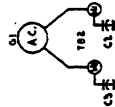
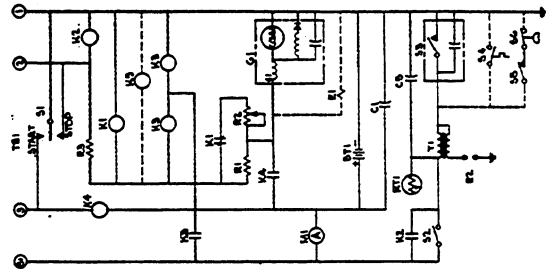
610C314

610C316

WIRING DIAGRAM



SCHEMATIC DIAGRAM



REF. NO.	PART NO.	QTY. USED	DESCRIPTION
C1	312A57	1	Capacitor, 1.0 MFD.
C2, 3	312A58	2	Capacitor, 0.1 MFD.
K1	305A1	1	Relay, 2-Step Voltage Reg.
K2	307B253	1	Relay, Stop
K3	307B180	1	Relay, Reverse Current
K4	307B1046	1	Relay, Start Solenoid
M1	302A58	1	Ammeter, Charge 10-0-10
R1	304A344	1	Resistor, 1-Ohm, 25 Watt
R2	304A175	1	Resistor, 1-Ohm, 50 Watt, Adj.
R3	304A251	1	Resistor, 30-Ohm, 5 Watt
RT1	304A60	1	Resistor, Hytemco 1.72-Ohm, 25 Watt
S1	308P154	1	Switch, Stop/Start
S2	308P2	1	Switch, Hand, Electric, Start
TBI	332A537	1	Terminal Block
	332A539	1	Marker Strip
TB2	332A231	1	Terminal Block
	301C1160	1	Control Box & Panel Assy.
	301B1198	1	Mounting Bracket
	301C1244	1	Cover
	301B1271	1	Endplate
BT1	312A35	1	Battery, 12-Volt
C4	312A162	1	Capacitor 0.1 MFD. Capacitor 0.1 MFD. (Spec J Models)
E1		1	Electric Choke
E2		1	Spark Plug
C1		1	Generator
K5	307P312	1	Fuel Solenoid
S3		1	Breaker & Cap Assembly
S4	309A2	1	Switch, High Air Temp.
S5	308-97	1	Switch
S6	309A10	1	Switch, Low Oil Pressure
T1		1	Ignition Coil (ONAN)

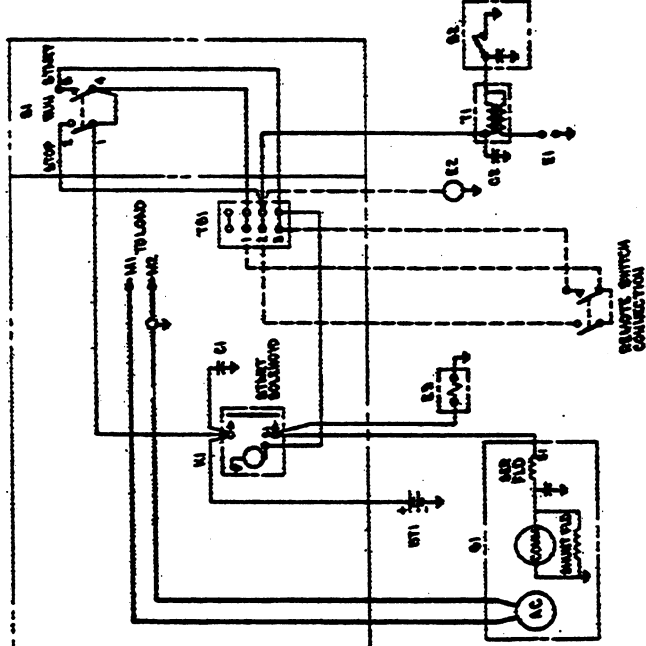
* - When Used.

DATE	1-22-58
BY	CJR
CHECKED BY	
APPROVED BY	
REVISION	
610C316	

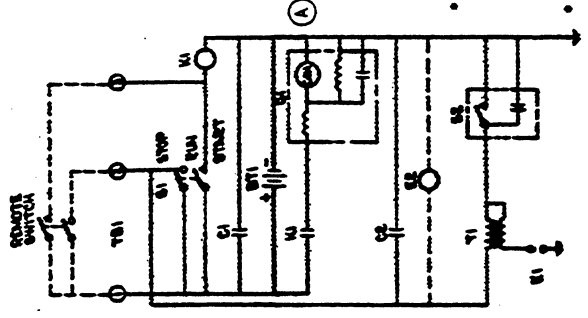
610C320

WIRING DIAGRAM

INSIDE VIEW OF BOX



SCHEMATIC



• WHEN USED

REF. DES.	PART NO.	QTY.	DESCRIPTION
C1	312A57	1	CAPACITOR - .10 MFD
K1	307B514	1	RELAY - START-SOLENOID
S1	308A140	1	SWITCH - START-RUN-STOP
	308Z101	1	STELASCREEN
TB1	332A537	1	TERMINAL BLOCK
	332A540	1	HAIRER STRIP (BLANK OUT B*)
	332-142	1	TERMINAL
	301C3101	1	CONTROL BOX
	301B3102	1	COVER
	332-517	1	TERMINAL
	317-19	1	DOT BUTTON
	505-1	3	GROMMET
END-GEN PARTS LIST (REF)			
B11		1	BATTERY 12 VOLT
C2		1	CAPACITOR 0.1 MFD
E1		1	SPARK PLUG
E2		1	FUEL PUMP
E3		1	ELEC CHOKE
G1		1	GENERATOR
S2		1	BREAKER & CAP. ASSY
T1		1	IGNITION COIL

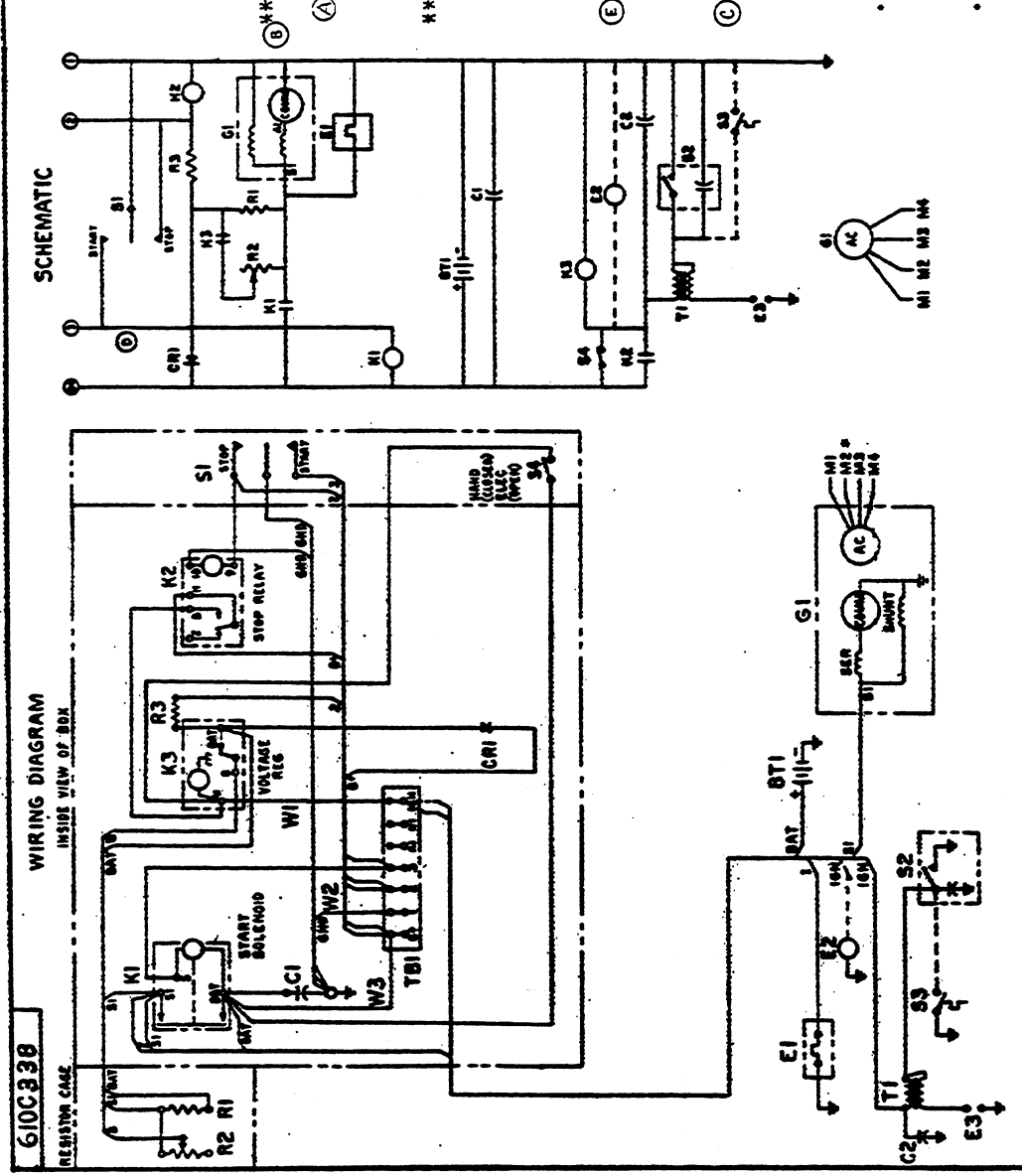
ATTACHED TO THIS DRAWING	DATE	BY	CHKD BY
DATE	BY	CHKD BY	DATE
610C320 WIRING DIAGRAM CONTROL-GEN SET 100% 1PH 60CY 80044-104-0000/ 76414 100% 1PH 60CY			

NOTE:
UNLESS OTHERWISE NOTED, ALL
COMPONENTS ARE SHOWN IN THE
DE-ENERGIZED POSITION.

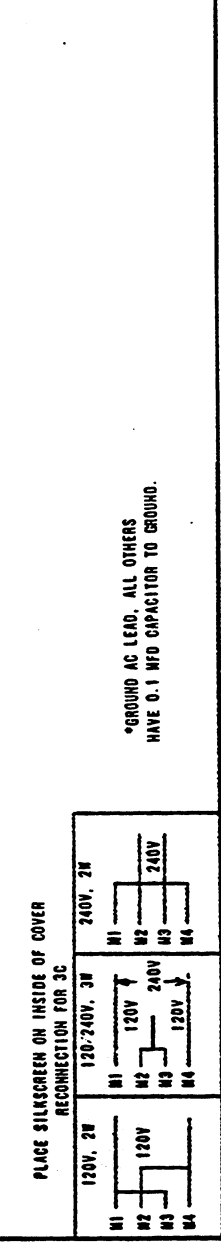
NOTES:
M2 IS GROUNDED AC LEAD
M1 HAS .1 MFD CAPACITOR TO GROUND IN GEN

REF. DES.	PART NO.	QTY	DESCRIPTION
C1	312A105	1	CAPACITOR ASSY
CRI	312A27(REF.)	1	CAPACITOR, 1.0 MFD
	305A235	1	L100V-REVERSE CURRENT
	305A234	1	HEAT SINK
K1	307B1046	1	RELAY-START SOLENOID
	307A1195	1	RELAY & LEAD ASSY
R2	307B1052(REF)	1	RELAY-STOP
K3	305B303	1	RELAY-2 STEP VOLTAGE REGULATOR
S4	306R300	1	SWITCH & LEAD ASSY
	306P2(REF)	1	SWITCH (HAND, ELECT START)
R1	304A344	1	RESISTOR, 10, 20W
R2	304A175	1	RESISTOR, 10, 50W ADJ
R3	304A685	1	RESISTOR & LEAD ASSY
	304A251(REF)	1	RESISTOR, 300, 5 W
S1	308A313	1	SWITCH ASSY-START STOP
TB1	308A154(REF)	1	SWITCH-START STOP
	332A145	1	BLOCK-TERMINAL
M1	332A1412	1	STRIP-HARKER
R2	336A1431	1	LEAD ASSY B
R3	336A2092	1	LEAD ASSY 2"
	336A2093	1	LEAD ASSY 6"
	301B3408	1	RESISTOR, BOX
	301C3427	1	CONTROL BOX
	301B3405	1	COVER-CONTROL BOX
	331-88	2	GROUNDNET
	508-4	1	GROUNDNET
	98A1676	1	SILKSCREEN-RECONNECTION
	98A2322	1	SILKSCREEN-SIMIL STOP
	98A1144	1	SILKSCREEN (HAND, ELECT START)
PARTS LIST ENG QUN (REF)			
B11			BATTERY, 12V
C2			CAPACITOR, 0.1 MFD
E1			CHIME-ELECTRIC
E2			PUMP-FUEL
E3			SPARK PLUG
G1			GENERATOR
S2			BREAKER & CAP ASSY
S3			SPLIT-HIGH AIR TEMP
T1			COIL-IGNITION

*WHEN USED



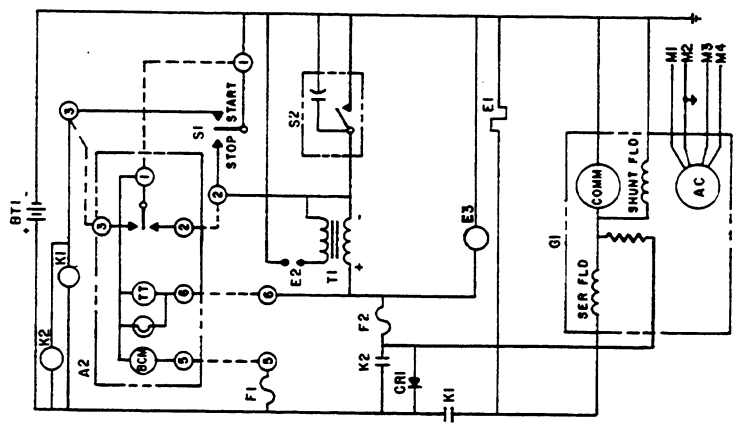
FORM 20-10000-101	DATE	REV	BY	CHK	APP
610C338					
CONTROL - GEN SET (WIRING DIAGRAM)					
610C338					



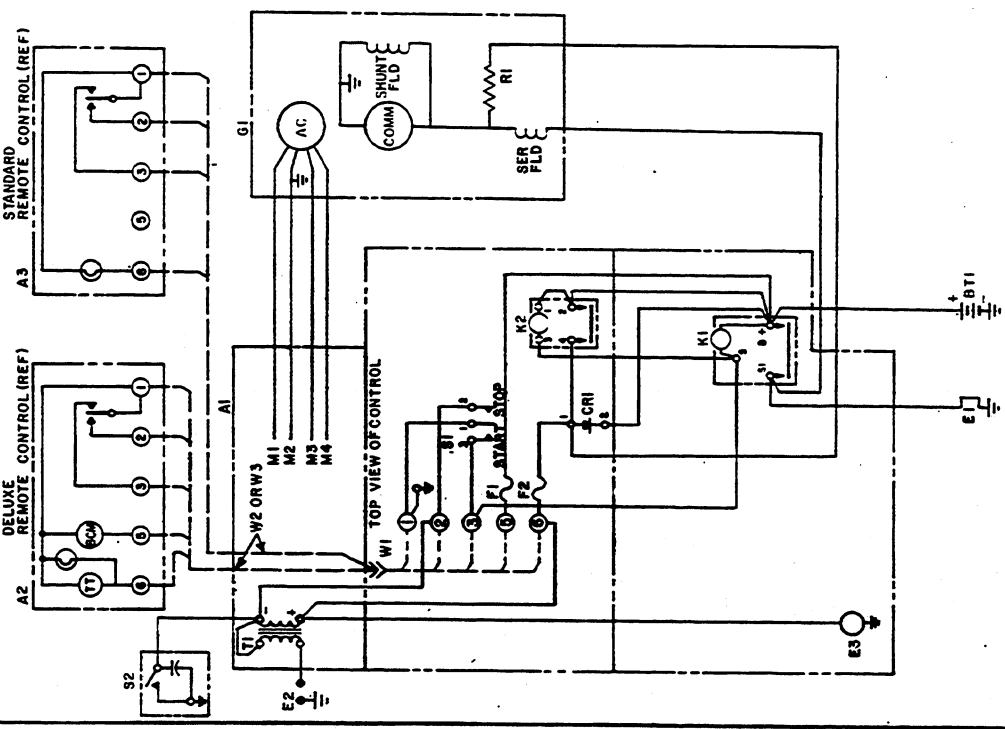
610-0350C

REF. DES.	PART NO.	QUANTITY	DESCRIPTION
A1	300-0233	D	CONTROL ASSY
ALL PART NOS LISTED BELOW ARE REF. ONLY			
A2	300-0986	B	DELUXE REMOTE CONTROL
A3	300-0985	B	STANDARD REMOTE CONTROL
BT1			BATTERY 12V
CRI	303-0235	A	RECTIFIER
E1			1 CHOKE-ONAN
E2			1 SPARK PLUG
E3			1 SOLENOID-FUEL
F1	331-0146	2	FUSE (DAMP 32V)
G1			1 GENERATOR
K1	307-1498	B	SOLENOID-START
K2	307-1497	B	RELAY-CRANK IGNITION
R1	353-0082	-	1 RESISTOR
S1			1 SWITCH-START-STOP
S2			1 BREAKER & CAP-ASSY
T1			1 COIL-IGNITION
W1	338-0958	B	1 WIRING HARNESS (CONN-REMOTE)
W2	338-0959	C	1 WIRING HARNESS (CABLE-REMOTE CONTROL) (10 FEET LONG)
W3	338-0960	C	1 WIRING HARNESS (CABLE-REMOTE CONTROL) (50 FEET LONG)

SCHEMATIC



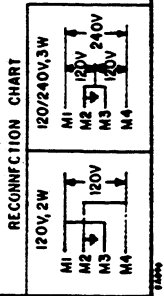
WIRING DIAGRAM



OPTION
OPTION
OPTION

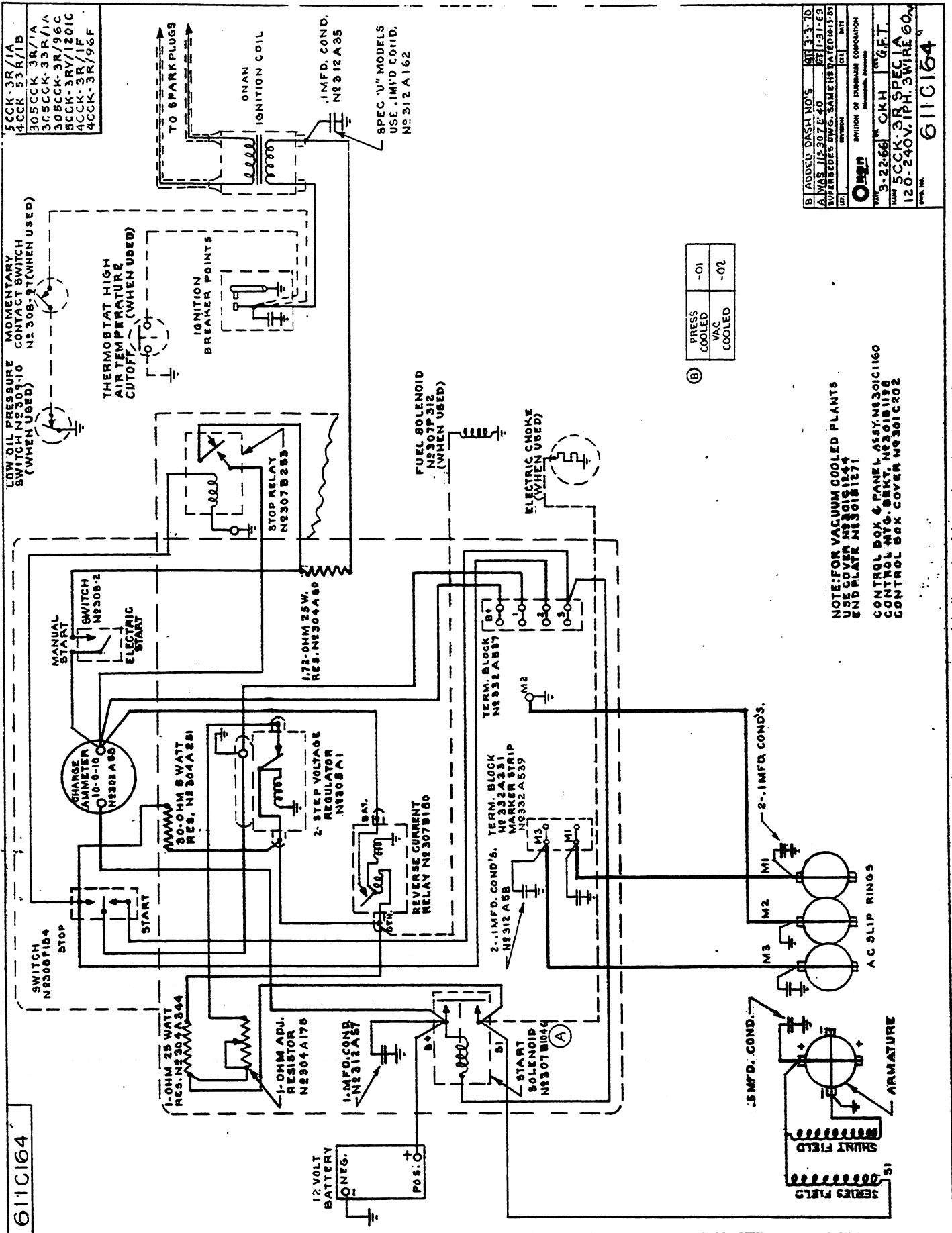
0950-019

REVISION	DATE	BY	DESCRIPTION
1	12-23-75	RRKE	CONTROL-GEN SET
2			WIRING DIAGRAM



WIRING	2.5 LK-3CR/IL
WIRING	120/240V 1PH. 4W. 60Hz

610-0350



611C164

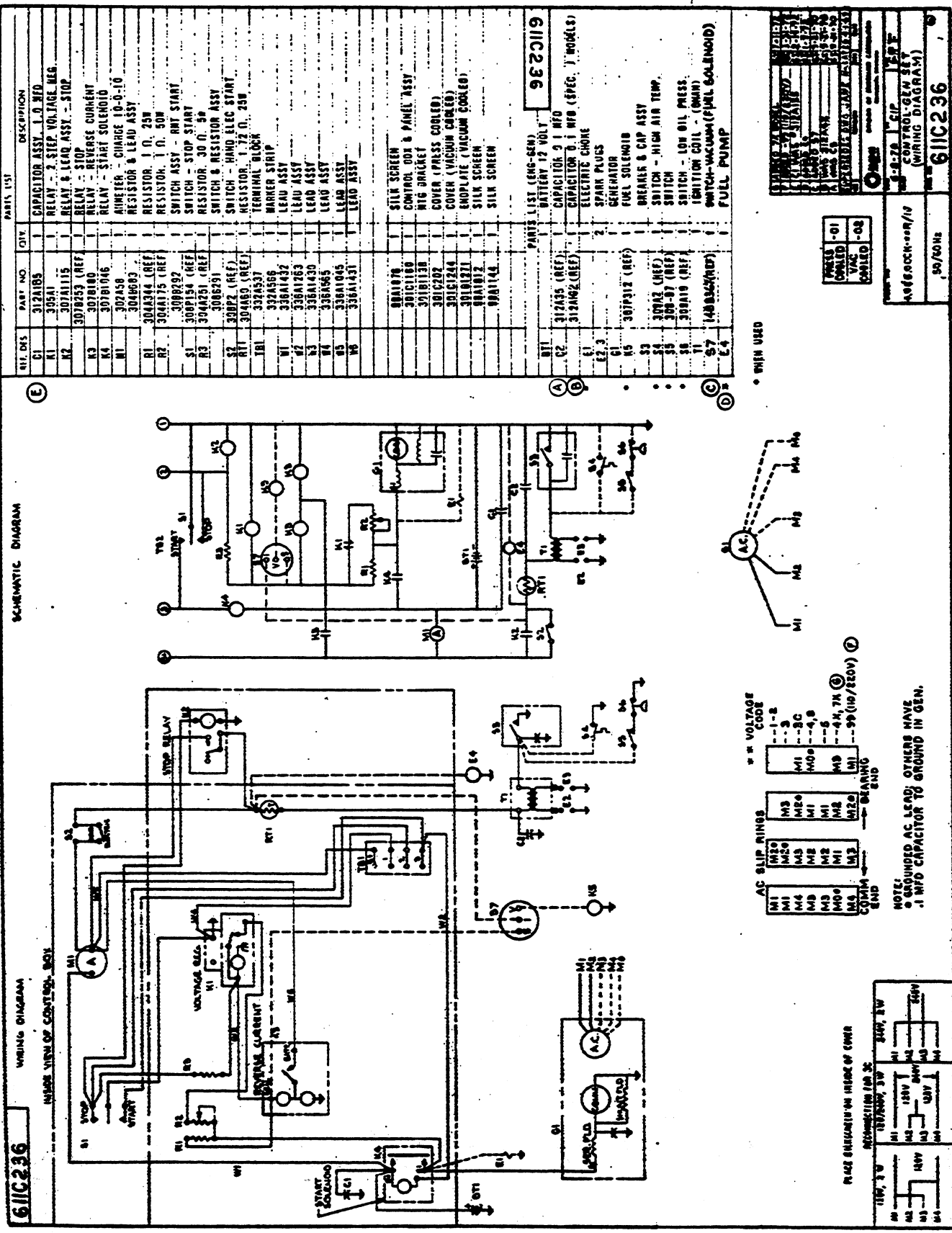
- 5CCK-3R/1A
- 3CCK-3R/1A/B
- 305CCK-3R/1A
- 305CCK-3R/1A
- 308CCK-3R/96C
- 5CCK-3R/120IC
- 4CCK-3R/1F
- 4CCK-3R/96F

PRESS COOLED	-01
VAC COOLED	-02

BADDER DASH NO'S 3-3-70
A WAS 12307E 40
SUPERSEDES DWG. SAME NO. TERMINAL 1-21-62
DATE 3-22-66
BY G.F.T.
CHKD G.F.T.
REV. 1
APP'D SWITCH OF STAMPAK CORPORATION
120-240V. P.H. 3WIRE 60.
611C164

NOTE: FOR VACUUM COOLED PLANTS
 USE COVER N2301B124
 END PLATE N2301B1271

CONTROL BOX & PANEL ASSY. N2301C160
CONTROL MTO. BKTY. N2301B119
CONTROL BOX COVER N2301C202



61C236

SCHEMATIC DIAGRAM

REF. DES	PART NO.	QTY.	DESCRIPTION
C1	312A185	1	CAPACITOR ASSY. 1.0 MFD
R1	395A1	1	RELAY - STOP VOLTAGE NEG.
K2	307A1115	1	RELAY & LEAD ASSY. - STOP
K3	307B253 (REF)	1	RELAY - STOP
K4	307B180	1	RELAY - REVERSE CURRENT
M1	307B1746	1	RELAY - START SOLENOID
R2	302A58	1	RESISTOR - CHARGE 10-0-10
R1	304A9693	1	RESISTOR & LEAD ASSY
R2	304A344 (REF)	1	RESISTOR 1 0. 25W
R3	304A175 (REF)	1	RESISTOR 1 0. 50W
S1	309B292	1	SWITCH ASSY. BMT START
R3	309P194 (REF)	1	RESISTOR 30 0. 5W
R3	304A251 (REF)	1	SWITCH & RESISTOR ASSY
S2	308B291	1	SWITCH - HAND ELEC START
R1	304A59 (REF)	1	RESISTOR 1 1/2 0. 25W
TBL	322A537	1	TERMINAL BLOCK
W1	322A566	1	WARNER STRIP
W2	336A1432	1	LEAD ASSY
W3	336A1263	1	LEAD ASSY
W4	336A1430	1	LEAD ASSY
W5	336A565	1	LEAD ASSY
W6	336A1045	1	LEAD ASSY
W6	336A1431	1	LEAD ASSY
W6	001A176	1	SILK SCREEN
W6	301C1168	1	CONTROL BOX & PANEL ASSY
W6	301B1138	1	MFG BRACKET
W6	301C202	1	COVER (PRESS COOLED)
W6	301C1244	1	COVER (VACUUM COOLED)
W6	301A1221	1	SHOULDER (VACUUM SOCKETS)
W6	001A1872	1	SILK SCREEN
W6	001A1444	1	SILK SCREEN
PARTS LIST (ENG-BEN)			
W6	92C236	1	BATTERY 12 VOLT
C2	312A35 (REF)	1	CAPACITOR 0.1 MFD (SPEC. 1) PROJ(ES)
C2	312A82 (REF)	1	ELECTRIC CHORE
E1		2	SPARK PLUGS
E2,3		1	GENERATOR
K5	307P312 (REF)	1	FUEL SOLENOID
S3	307A2 (REF)	1	BREAKER & CAP ASSY
S4	308-37 (REF)	1	SWITCH - HIGH AIR TEMP.
S5	308A19 (REF)	1	SWITCH - LOW OIL PRESS.
S6		1	IGNITION COIL - (MINT)
S7	148B352 (MKT)	1	SWITCH-VACUUM (FUEL SOLENOID)
E4		1	FUEL PUMP

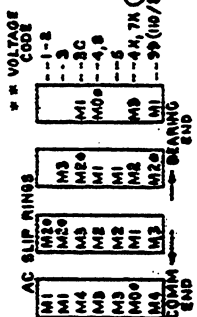
WHEN USED

PARIS LIST	01
CONTROL	02
VALVE	
COILED	

ADDRESS-08/10

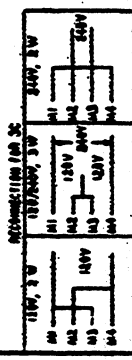
90/0016

61C236



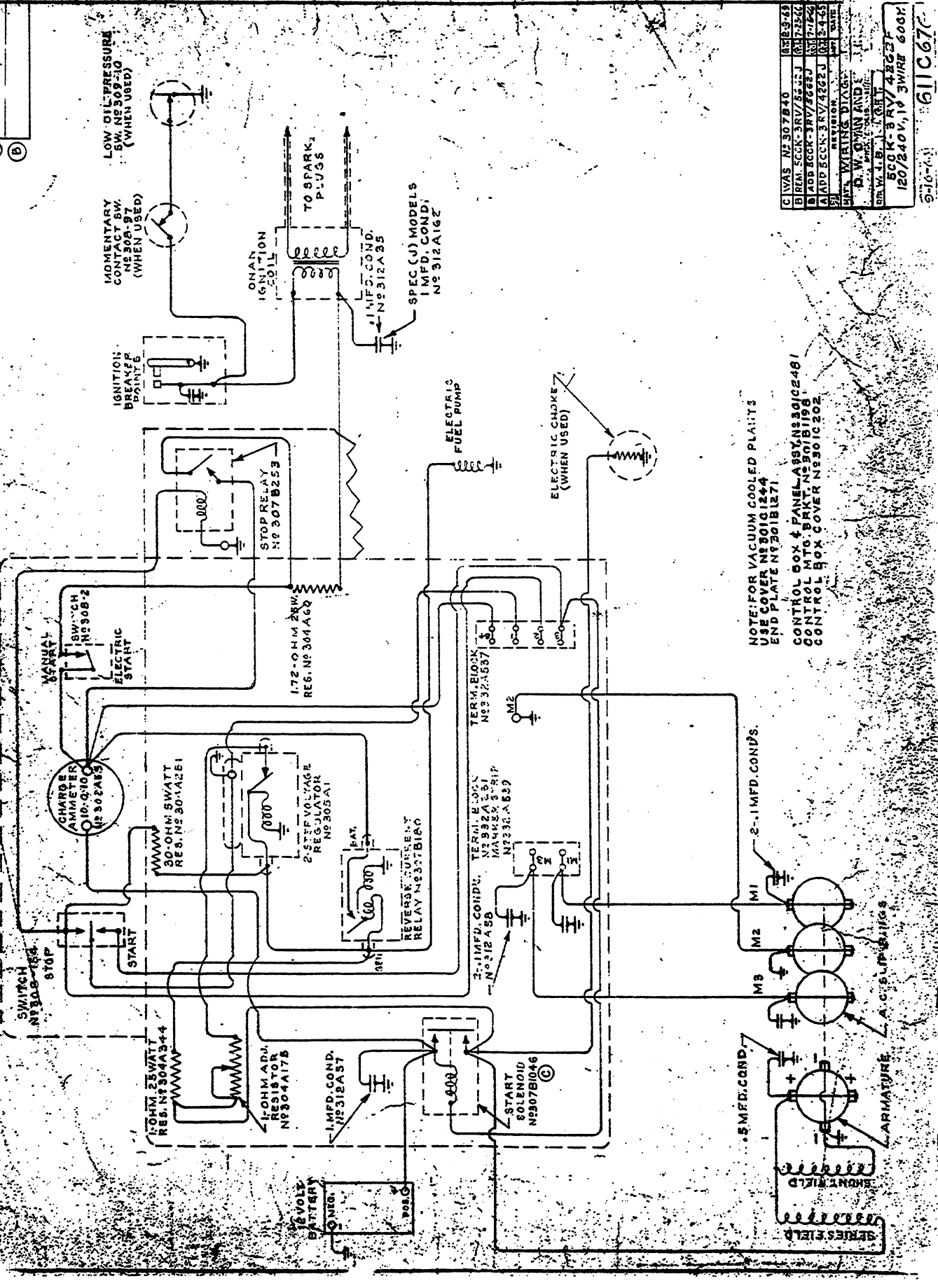
NOTE:
 * GROUND AC LEAD; OTHERS HAVE
 .1 MFD CAPACITOR TO GROUND IN GEN.

PLACE GENERATOR IN MIDDLE OF COVER



611C676

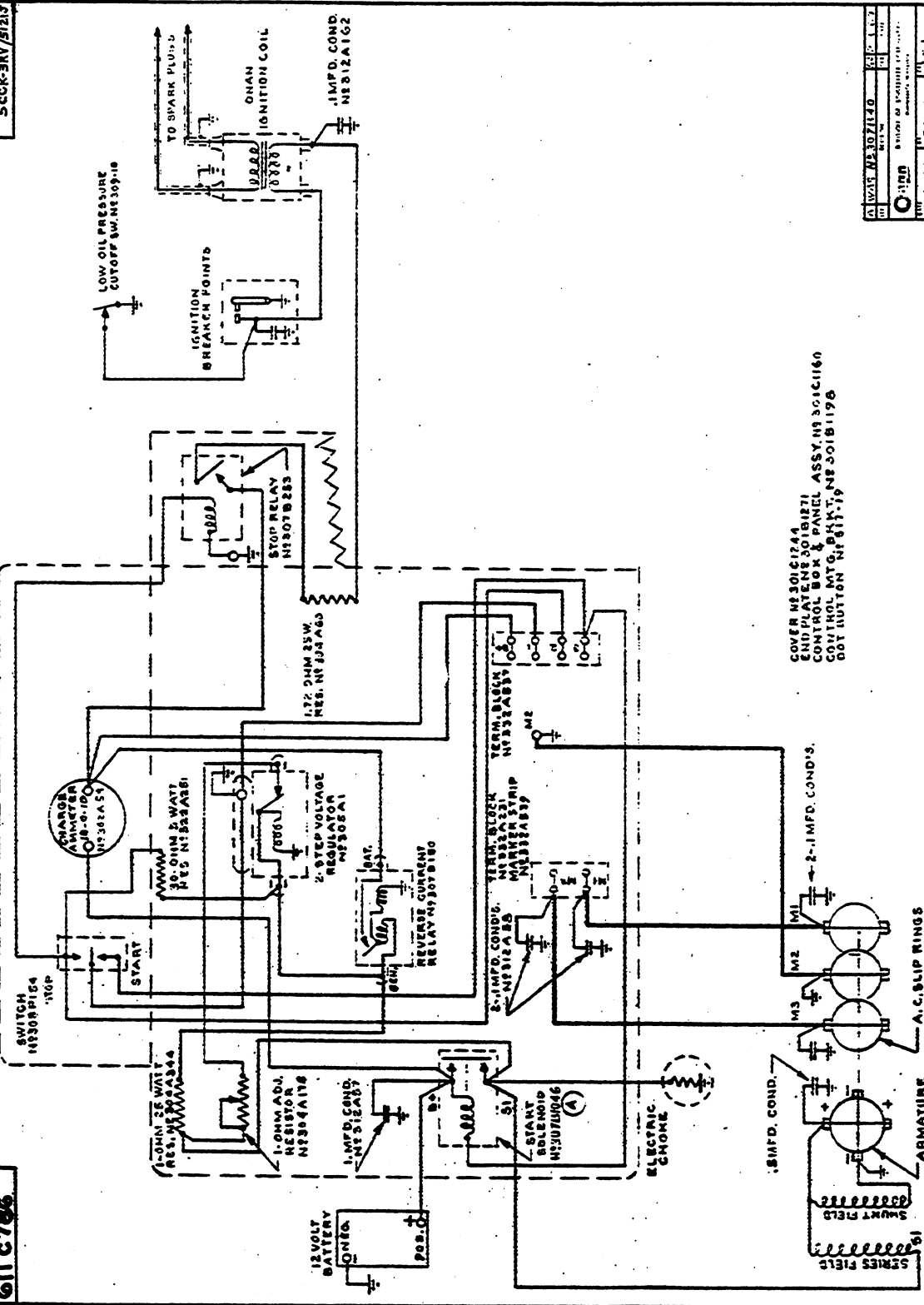
10CK-3RV/4B2F
(A) 5CCK-3RV/4262 JF
(B)



CIVAS N2307B40	82B375
BREN SCKK-3RV/5533 J	6M17342
ADE SCKK-3RV/5533 J	6M17342
ADE SCKK-3RV/5533 J	6M17342
ADE SCKK-3RV/5533 J	6M17342
D. W. GYMAN AND	
120/240V, 14 3/16" 600Y	
S-16-A1	

611C786

5CCX-3RV / 51217

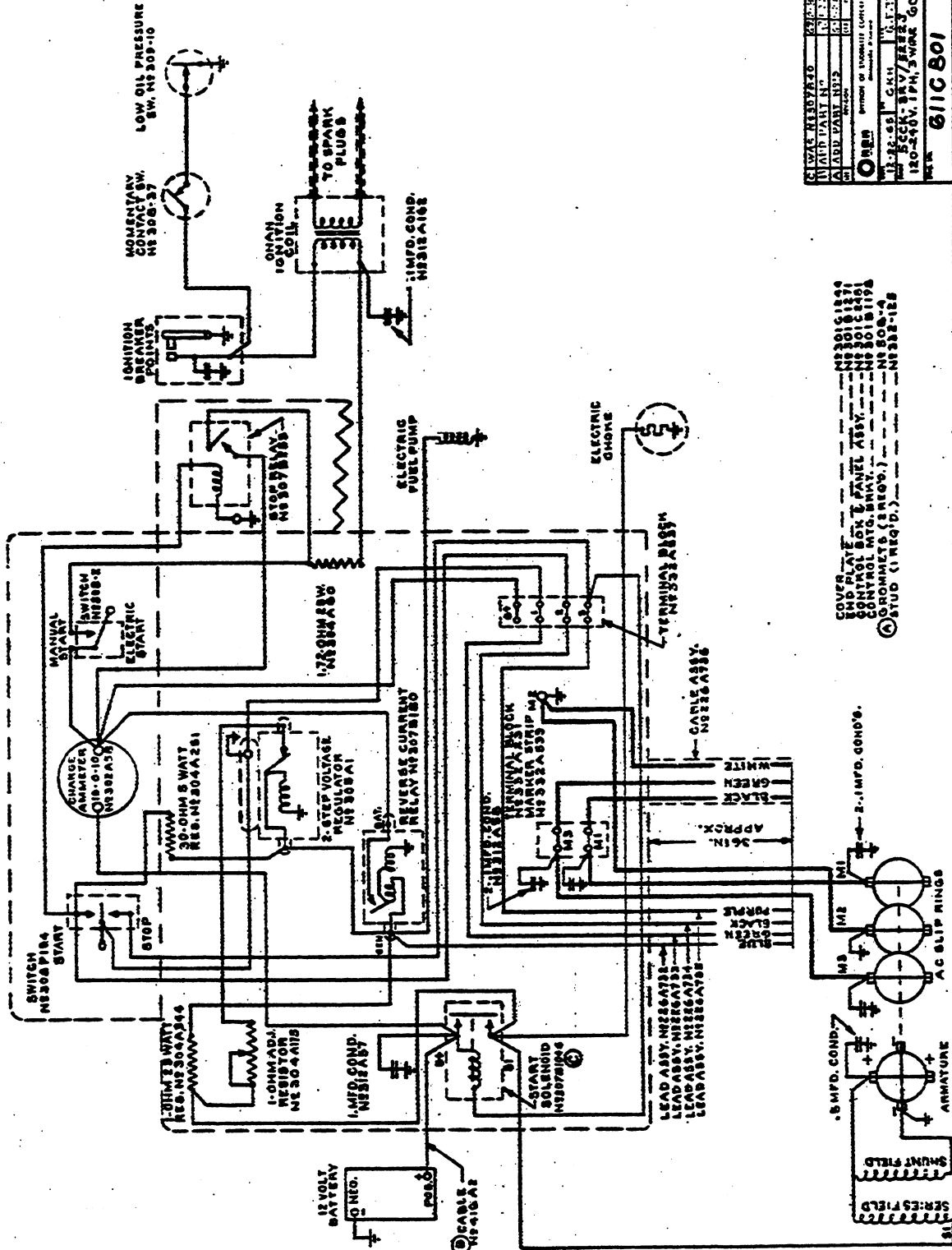


COVER NR 301C1244
 END PLATE NR 301B1271
 CONTROL BOX & PANEL ASSY NR 301C1160
 CONTROL MTC. BKKT. NR 301B1198
 DOT LUTTUN NR 611-19

REV	DATE	BY	APP'D
1	1-55	C.H.M.	
5CCX-3RV / 51217 120-240 VOLTS 1PH, 3W, 60Hz 611C786			

8CCK-8RV/58227

611C801



REVISED	611C801
DATE	11-22-55
BY	G.M.H.
CHKD	W.P.
APP'D	W.P.
REVISED	611C801
DATE	11-22-55
BY	G.M.H.
CHKD	W.P.
APP'D	W.P.
REVISED	611C801
DATE	11-22-55
BY	G.M.H.
CHKD	W.P.
APP'D	W.P.

COVER PLATE FOR 2-LEVEL ASSY. --- NS308A187
 CONTROL BOX 2-LEVEL ASSY. --- NS308A188
 CONTROL BOX 2-LEVEL ASSY. --- NS308A189
 SOLENOIDS (2 REQ'D.) --- NS308A190
 STUD (1 REQ'D.) --- NS308-128

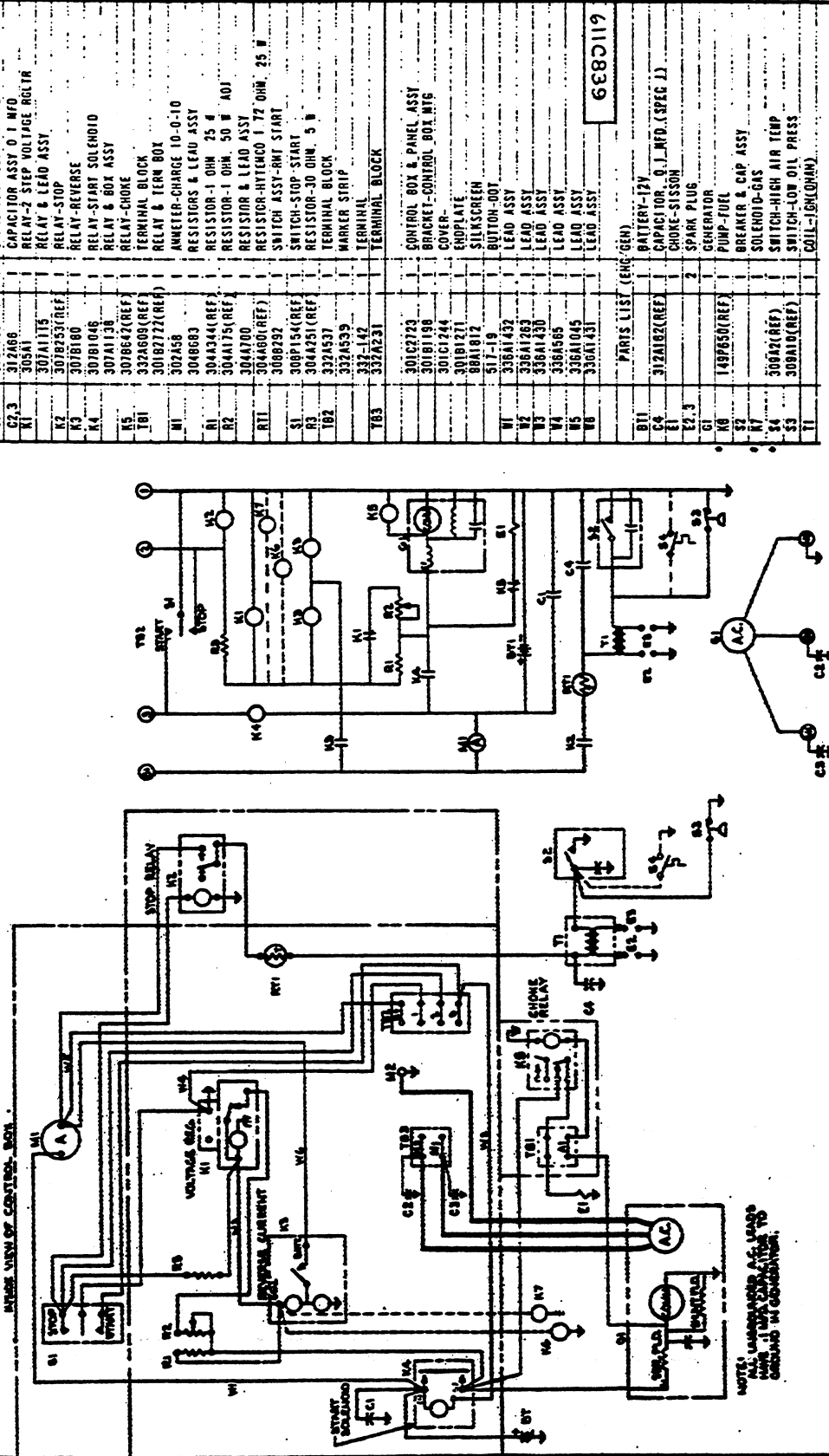
611C839

WIRING DIAGRAM

SCHEMATIC DIAGRAM

INSTRUMENT VIEW OF CONTROL BOX

NOTE: LAMP/RELAY A.C. LEADS MUST BE CONNECTED TO GROUND AT GENERATOR.



REF. DES.	PART NO.	QTY	DESCRIPTION
C1	312A186		CAPACITOR ASSY 1 0 MFD
C2,3	312A86		RELAY-2 STEP VOLTAGE RGLTR
K1	305A1		RELAY & LEAD ASSY
K2	307A1175		RELAY-STOP
K3	307B180		RELAY-REVERSE
K4	307B1046		RELAY-START SOLENOID
K5	307A1138		RELAY & BOX ASSY
T81	332A608(REF)		TERMINAL BLOCK
M1	301B772Z(REF)		RELAY & TERM BOX
R1	304A869		ANMETER-CHARGE 10-0-10
R2	304A244(REF)		RESISTOR-1 OHM 25 W
R3	304A175(REF)		RESISTOR-1 OHM 50 W A01
R4	304A700		RESISTOR & LEAD ASSY
R5	306B292		RESISTOR-HYDRO 1 72 OHM 25 W
S1	308P154(REF)		SWITCH ASSY-RMT START
S2	304A251(REF)		SWITCH-STOP START
T82	332A4537		RESISTOR-30 OHM 5 W
T83	332A4539		TERMINAL BLOCK
	337-142		MARKER STRIP
	337A231		TERMINAL BLOCK
	301C2723		CONTROL BOX & PANEL ASSY
	301B1198		BRACKET-CONTROL BOX MTS
	301C1244		COVER
	301B1271		ENDPLATE
	88A1817		STIKSCREEN
	517-19		BUTTON-DOT
W1	336A1432		LEAD ASSY
W2	336A1263		LEAD ASSY
W3	336A1430		LEAD ASSY
W4	336A1865		LEAD ASSY
W5	336A1045		LEAD ASSY
W6	336A1431		LEAD ASSY

PARTS LIST (ENG GEN)	QTY	DESCRIPTION
B11	1	BATTERY-12V
C4	1	CAPACITOR 0.1 MFD (SPEC 1)
E1	1	CHOKE-SISSON
E2,3	2	SPARK PLUG
G1	1	GENERATOR
K8	1	PUMP-FUEL
K9	1	BREAKER & CAP ASSY
K7	1	SOLENOID-GAS
S4	1	SWITCH-HIGH AIR TEMP
S3	1	SWITCH-LOW OIL PRESS
T1	1	COIL-150M(OHMS)

WHEN USED

CASH NO. -01

611C839	611C839
301B1198	301B1198
301C1244	301C1244
301B1271	301B1271
88A1817	88A1817
517-19	517-19
336A1432	336A1432
336A1263	336A1263
336A1430	336A1430
336A1865	336A1865
336A1045	336A1045
336A1431	336A1431

611C839	611C839
301B1198	301B1198
301C1244	301C1244
301B1271	301B1271
88A1817	88A1817
517-19	517-19
336A1432	336A1432
336A1263	336A1263
336A1430	336A1430
336A1865	336A1865
336A1045	336A1045
336A1431	336A1431

611C839	611C839
301B1198	301B1198
301C1244	301C1244
301B1271	301B1271
88A1817	88A1817
517-19	517-19
336A1432	336A1432
336A1263	336A1263
336A1430	336A1430
336A1865	336A1865
336A1045	336A1045
336A1431	336A1431

611C839	611C839
301B1198	301B1198
301C1244	301C1244
301B1271	301B1271
88A1817	88A1817
517-19	517-19
336A1432	336A1432
336A1263	336A1263
336A1430	336A1430
336A1865	336A1865
336A1045	336A1045
336A1431	336A1431

611C839	611C839
301B1198	301B1198
301C1244	301C1244
301B1271	301B1271
88A1817	88A1817
517-19	517-19
336A1432	336A1432
336A1263	336A1263
336A1430	336A1430
336A1865	336A1865
336A1045	336A1045
336A1431	336A1431

611C839	611C839
301B1198	301B1198
301C1244	301C1244
301B1271	301B1271
88A1817	88A1817
517-19	517-19
336A1432	336A1432
336A1263	336A1263
336A1430	336A1430
336A1865	336A1865
336A1045	336A1045
336A1431	336A1431

611C839	611C839
301B1198	301B1198
301C1244	301C1244
301B1271	301B1271
88A1817	88A1817
517-19	517-19
336A1432	336A1432
336A1263	336A1263
336A1430	336A1430
336A1865	336A1865
336A1045	336A1045
336A1431	336A1431

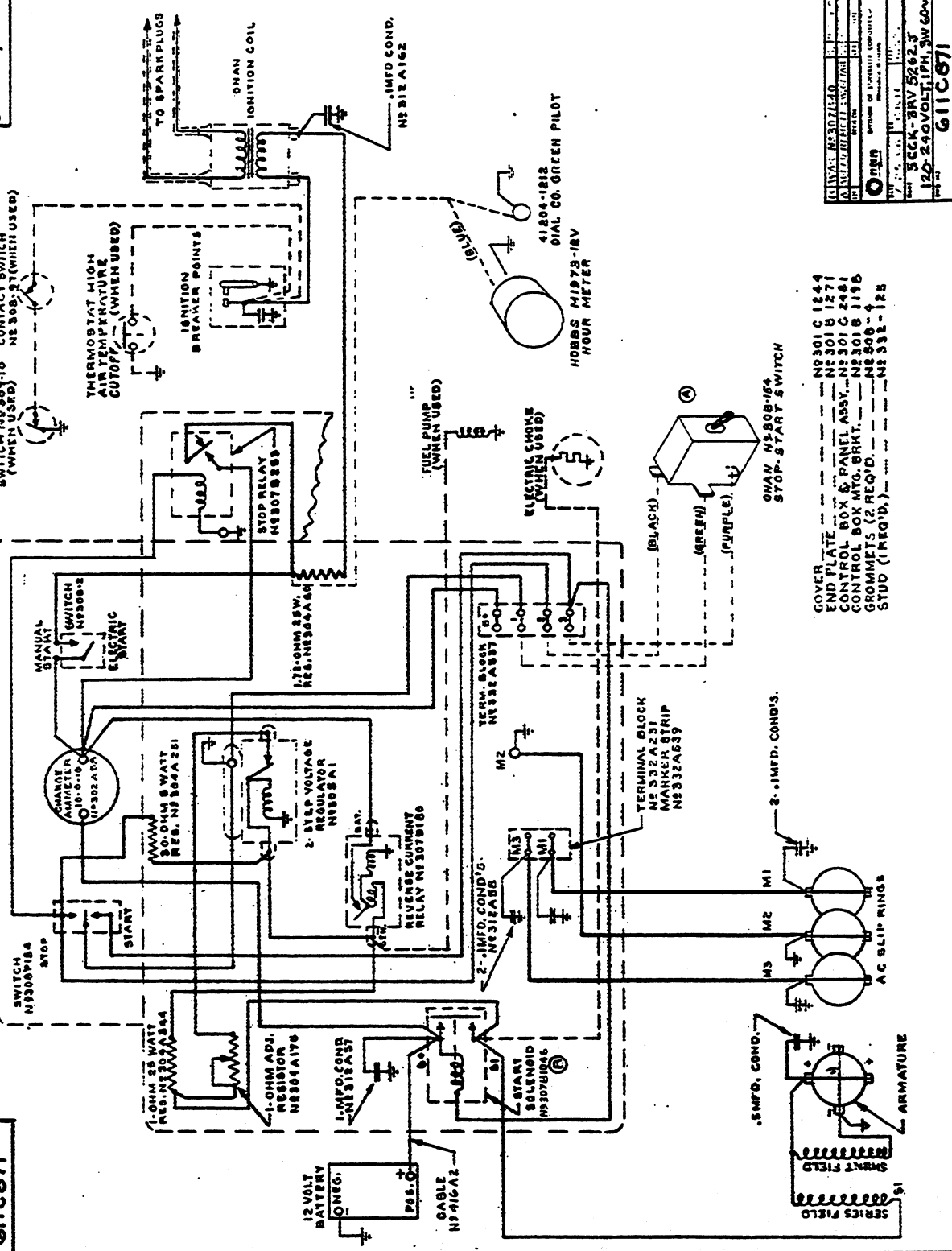
611C839	611C839
301B1198	301B1198
301C1244	301C1244
301B1271	301B1271
88A1817	88A1817
517-19	517-19
336A1432	336A1432
336A1263	336A1263
336A1430	336A1430
336A1865	336A1865
336A1045	336A1045
336A1431	336A1431

611C839	611C839
301B1198	301B1198
301C1244	301C1244
301B1271	301B1271
88A1817	88A1817
517-19	517-19
336A1432	336A1432
336A1263	336A1263
336A1430	336A1430
336A1865	336A1865
336A1045	336A1045
336A1431	336A1431

611C839	611C839
301B1198	301B1198
301C1244	301C1244
301B1271	301B1271
88A1817	88A1817
517-19	517-19
336A1432	336A1432
336A1263	336A1263
336A1430	336A1430
336A1865	336A1865
336A1045	336A1045
336A1431	336A1431

5CC6-3RV/56623

611671

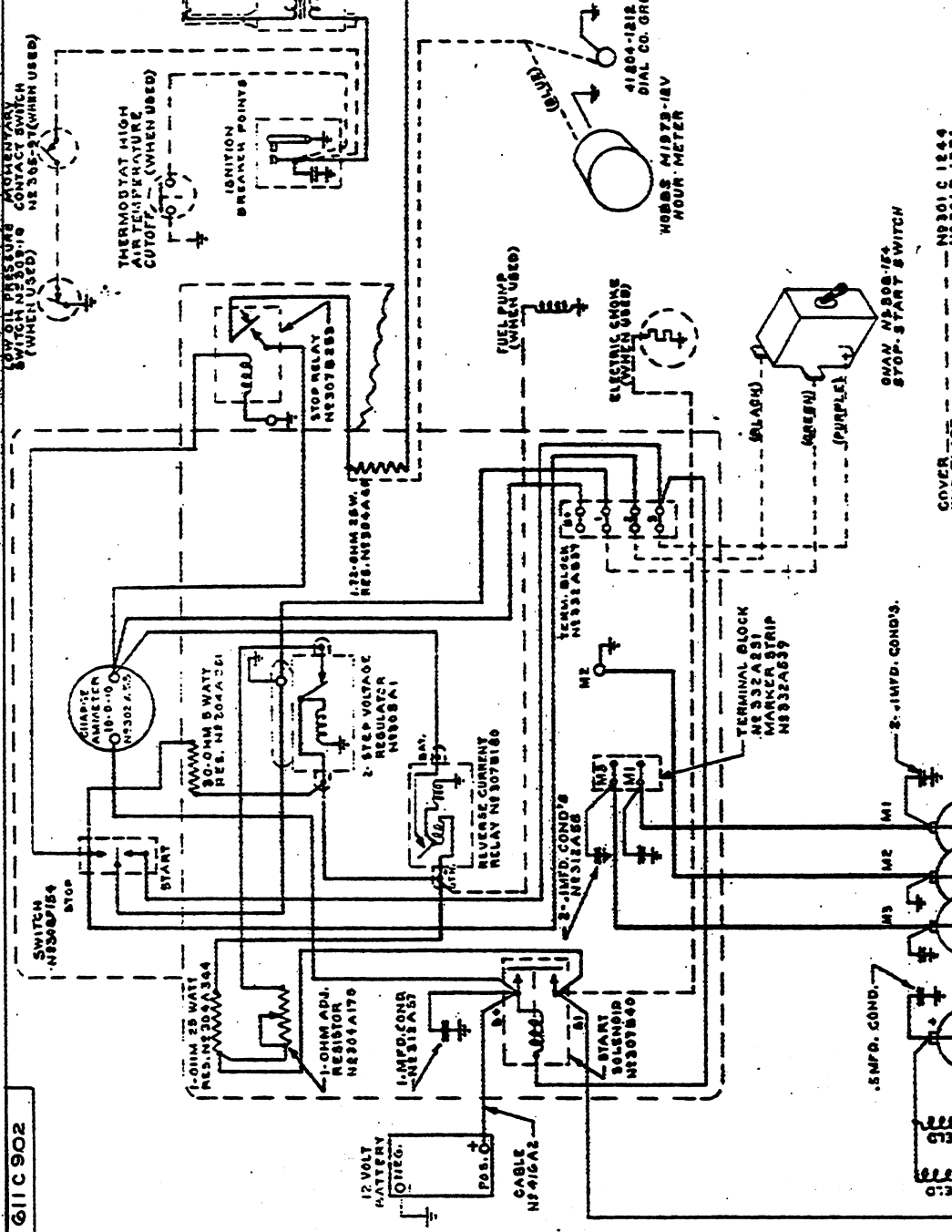


- COVER _____ NS301 C 1244
- END PLATE _____ NS301 B 1271
- CONTROL BOX & PANEL ASSY. _____ NS301 C 2461
- CONTROL BOX MFG. BRKT. _____ NS301 B 1196
- GRIMMETS (2 REQ'D.) _____ NS306 - 4
- STUD (1 REQ'D.) _____ NS332 - 123

QUANTITY	DESCRIPTION
ORDER	
UNIT	QUANTITY
Part of product assembly	
611671	

611 C 902

5CCK-SRV/6206J



REV.	DATE	BY	APP.
1			
2			
3			
4			
5			
6			
7			
8			
9			
10			
11			
12			
13			
14			
15			
16			
17			
18			
19			
20			
21			
22			
23			
24			
25			
26			
27			
28			
29			
30			
31			
32			
33			
34			
35			
36			
37			
38			
39			
40			
41			
42			
43			
44			
45			
46			
47			
48			
49			
50			
51			
52			
53			
54			
55			
56			
57			
58			
59			
60			
61			
62			
63			
64			
65			
66			
67			
68			
69			
70			
71			
72			
73			
74			
75			
76			
77			
78			
79			
80			
81			
82			
83			
84			
85			
86			
87			
88			
89			
90			
91			
92			
93			
94			
95			
96			
97			
98			
99			
100			

- COVER NR 301 C 1244
- END PLATE NR 301 B 1271
- CONTROL BOX & PANEL ASSY. NR 301 C 2461
- CONTROL BOX MFG. BRKT. NR 301 B 1196
- GROUNDING (2 REQ'D.) NR 308-4
- STOP (1 REQ'D.) NR 302-128
- STOP BUTTON NR 617-19

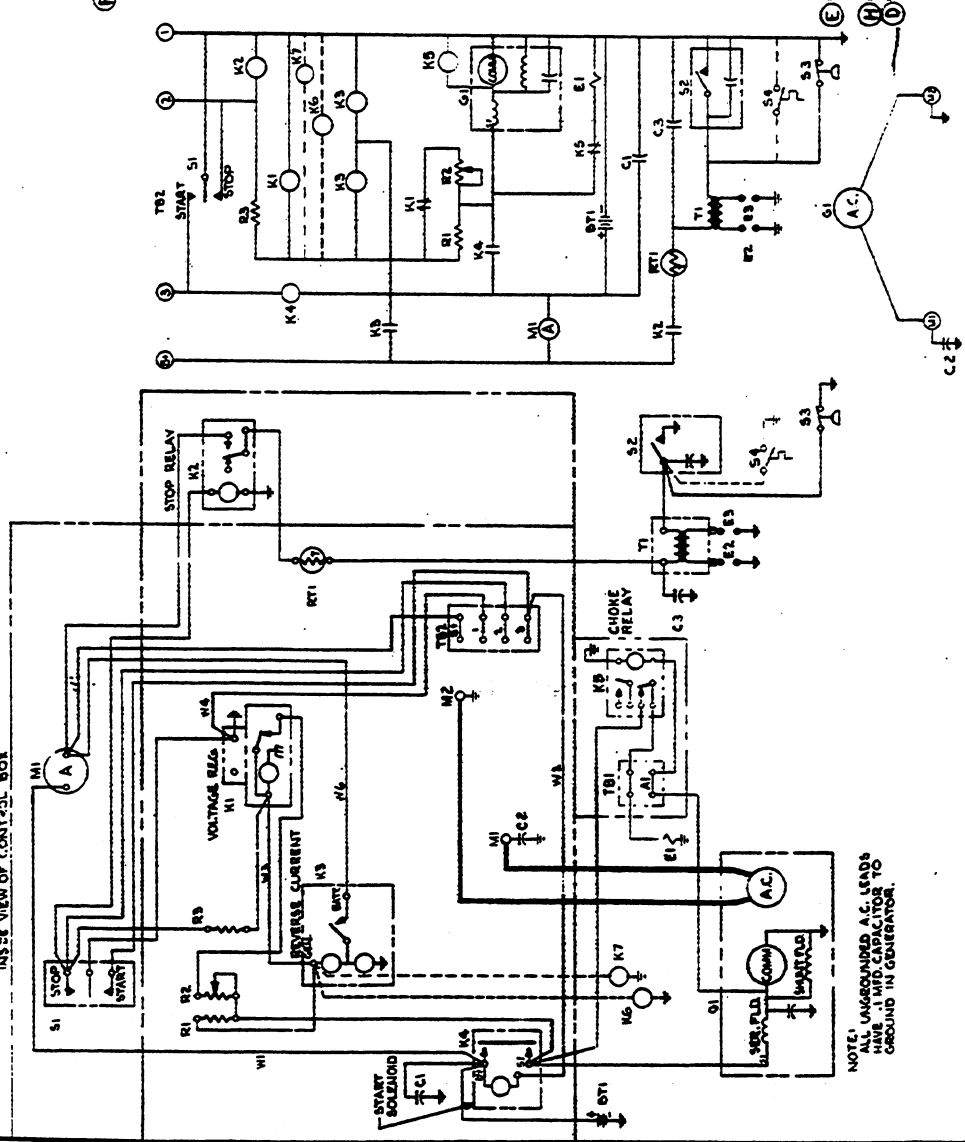
5CCK-3KV/20 6.7
120-240 VOLT 1PH 3W 60-
611 C 902

61C914

WIRING DIAGRAM

SCHEMATIC DIAGRAM

INSIDE VIEW OF CONTROL BOX



NOTE:
ALL UNDERLINES A.C. LEADS
ALL UNDERLINES D.C. LEADS TO
GROUND IN GENERATOR.

* WHEN USED

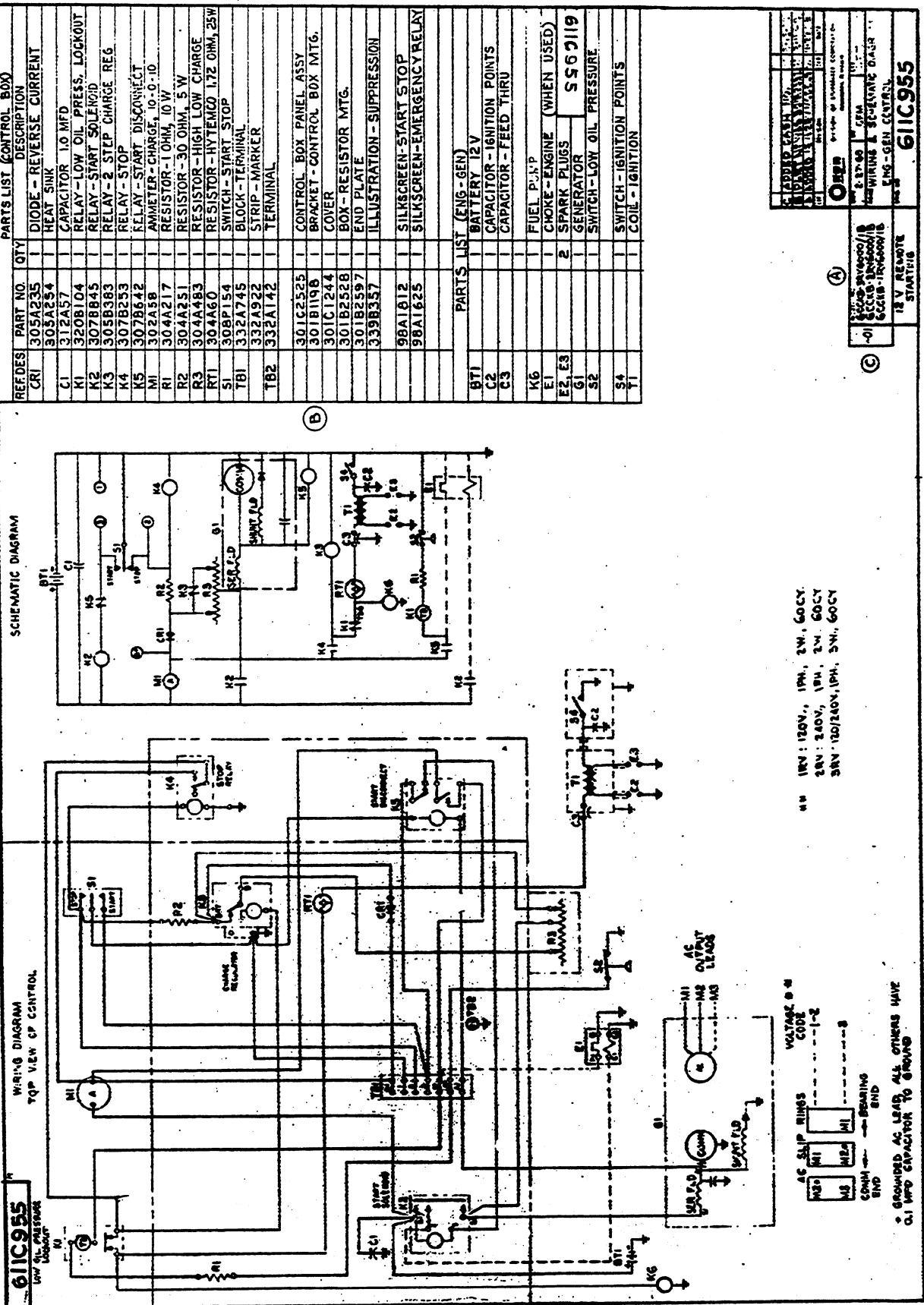
REF. NO.	QTY.	PART NO.	DESCRIPTION
C1	1	312A186	CAPACITOR ASSY 1.0 MFD
C2	1	312A66	CAPACITOR ASSY 0.1 MFD
K1	1	305A1	RELAY-2 STEP VOLTAGE RBLTR
K2	1	307A1115	RELAY & LEAD ASSY
K3	1	307B233(REF)	RELAY-STOP
K4	1	307B1046	RELAY-REVERSE CURRENT
K5	1	307B1138	RELAY-START SOLENOID
TB1	1	307B842(REF)	RELAY & BOX ASSY
M1	1	332A609(REF)	TERMINAL BLOCK
R1	1	304B663	ANMETER-CHARGE 10-0-10
R2	1	304A344(REF)	RESISTORS & LEAD ASSY
R3	1	304A175(REF)	RESISTOR-1 OHM, 25 W ADJ
R4	1	304A170	RESISTOR & LEAD ASSY
R5	1	304A60(REF)	RESISTOR-HYTERCO 1.72 OHM, 25 W
S1	1	308B232	SWITCH-STOP/START
S2	1	308B134(REF)	SWITCH-STOP/START
TB2	1	304A291(REF)	RESISTOR-30 OHM, 5 W
TB3	1	332A537	TERMINAL BLOCK
TB4	1	332A540	TERMINAL BLOCK
TB5	1	332-142	MARKER STRIP
TB6	1	332-587	FASTENER-PAPER
TB7	1	301C2723	CONTROL BOX & PANEL ASSY
TB8	1	301B1198	BRACKET-CONTROL BOX MFG.
TB9	1	301C1244	COVER
TB10	1	301B1271	ENDPLATE
TB11	1	98A1812	SILKSCREEN
TB12	1	517-19	BUTTON-DOT
TB13	1	336A1432	LEAD ASSY
TB14	1	336A1263	LEAD ASSY
TB15	1	338A1430	LEAD ASSY
TB16	1	338A565	LEAD ASSY
TB17	1	338A1045	LEAD ASSY
TB18	1	338A1431	LEAD ASSY
TB19	1	416C119	LEAD ASSY
B11	1	PARIS LIST (LEAD/GEN)	
B12	1	BATTERY-12V	
B13	1	CAPACITOR 0.1 MFD (SPEC 1)	
B14	1	CHOKER-SISSON	
B15	1	SPARK PLUG	
B16	1	GENERATOR	
B17	1	PUMP-FUEL	
B18	1	BREAKER & GAP ASSY	
B19	1	SOLENOID-GAS	
B20	1	SWITCH-HIGH AIR TEMP	
B21	1	SWITCH-LOW OIL PRESS	
B22	1	COIL-IGN(OHMD)	

GENERAL REVISION	DATE	BY
1	11/21/67	W. J. ...
2	12/12/67	W. J. ...
3	12/12/67	W. J. ...
4	12/12/67	W. J. ...
5	12/12/67	W. J. ...
6	12/12/67	W. J. ...
7	12/12/67	W. J. ...
8	12/12/67	W. J. ...
9	12/12/67	W. J. ...
10	12/12/67	W. J. ...

REV.	DESCRIPTION	DATE	BY
1	REVISED BY INTERCOM	11/21/67	W. J. ...
2	REVISED BY INTERCOM	12/12/67	W. J. ...
3	REVISED BY INTERCOM	12/12/67	W. J. ...
4	REVISED BY INTERCOM	12/12/67	W. J. ...
5	REVISED BY INTERCOM	12/12/67	W. J. ...
6	REVISED BY INTERCOM	12/12/67	W. J. ...
7	REVISED BY INTERCOM	12/12/67	W. J. ...
8	REVISED BY INTERCOM	12/12/67	W. J. ...
9	REVISED BY INTERCOM	12/12/67	W. J. ...
10	REVISED BY INTERCOM	12/12/67	W. J. ...

REV.	DESCRIPTION	DATE	BY
1	REVISED BY INTERCOM	11/21/67	W. J. ...
2	REVISED BY INTERCOM	12/12/67	W. J. ...
3	REVISED BY INTERCOM	12/12/67	W. J. ...
4	REVISED BY INTERCOM	12/12/67	W. J. ...
5	REVISED BY INTERCOM	12/12/67	W. J. ...
6	REVISED BY INTERCOM	12/12/67	W. J. ...
7	REVISED BY INTERCOM	12/12/67	W. J. ...
8	REVISED BY INTERCOM	12/12/67	W. J. ...
9	REVISED BY INTERCOM	12/12/67	W. J. ...
10	REVISED BY INTERCOM	12/12/67	W. J. ...

61C914



REFDES	PART NO.	QTY	DESCRIPTION
CRI	305A235	1	DIODE - REVERSE CURRENT
	305A234	1	HEAT SINK
C1	312A57	1	CAPACITOR 10 MFD
K1	307B845	1	RELAY - LOW OIL PRESS. LOCKOUT
K2	307B845	1	RELAY - START SOLENOID
K3	305B383	1	RELAY - 2 STEP CHANGE REG
K4	307B253	1	RELAY - STOP
K5	307B842	1	RELAY - START DISCONNECT
M1	302A58	1	AMMETER - CHARGE, 10-0-10
R1	304A217	1	RESISTOR - 1 OHM, 10 W
R2	304A251	1	RESISTOR - 30 OHM, 5 W
R3	304A483	1	RESISTOR - HIGH LOW CHARGE
RT1	304A60	1	RESISTOR - HYTEMCD 1/2 OHM, 25 W
S1	308P154	1	SWITCH - START STOP
TB1	332A922	1	BLOCK - TERMINAL
TB2	332A142	1	STRIP - MARKER
			TERMINAL
			CONTROL BOX PANEL ASSY
			BRACKET - CONTROL BOX MTG.
			COVER
			BOX - RESISTOR MTG.
			END PLATE
			ILLUSTRATION - SUPPRESSION
			SILKSCREEN - START STOP
			SILKSCREEN - EMERGENCY RELAY

REFDES	PART NO.	QTY	DESCRIPTION
BT1			BATTERY 12V
C2			CAPACITOR - IGNITION POINTS
C3			CAPACITOR - FEED THRU
K6			FUEL PUMP
E1			CHOKER - ENGINE (WHEN USED)
E2, E3		2	SPARK PLUGS
G1			GENERATOR
S2			SWITCH - LOW OIL PRESSURE
S4			SWITCH - IGNITION POINTS
T1			COIL - IGNITION

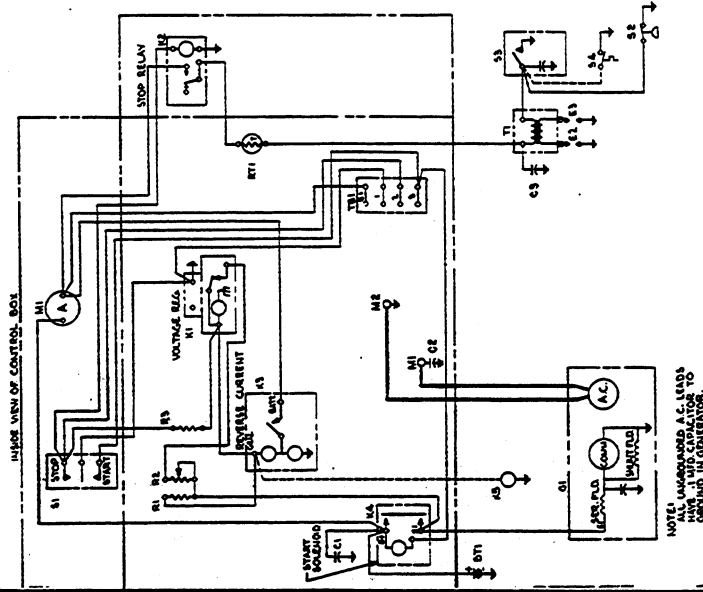
K4 18V: 120V, 1PH, 2W, 60CY
 24V: 240V, 1PH, 2W, 60CY
 36V: 120/240V, 1PH, 5W, 60CY

AC SLIP RINGS
 M1 M2 M3 M4 M5
 COIL LEAD
 END
 * GROUNDED AC LEAD, ALL OTHERS HAVE
 0.1 MFD CAPACITOR TO GROUND

611C955
 PARTS LIST (CONTROL BOX)
 ORDER
 2-27-60
 WIRING & SEPARATE GAUGE
 ENG-GEN CONTROL
611C955

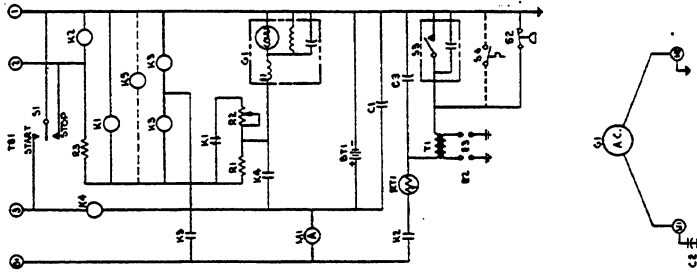
611C957

WIRING DIAGRAM



NOTE: UNGROUND A.C. LEADS WITH A 1 MFD. CAPACITOR TO GROUND IN GENERATOR.

SCHEMATIC DIAGRAM



REF. NO.	PART NO.	QTY. USED	DESCRIPTION	PART DESCRIPTION
C1	312A57	1	Capacitor 1.0 MFD.	Capacitor 1.0 MFD.
C2	312A58	1	Capacitor 0.1 MFD.	Capacitor 0.1 MFD.
K1	305A1	1	Relay, 2-Step Voltage Reg.	Relay, 2-Step Voltage Reg.
K2	307B253	1	Relay, Stop	Relay, Stop
K3	307B180	1	Relay, Reverse Current	Relay, Reverse Current
K4	307B1046	1	Relay, Start Solenoid	Relay, Start Solenoid
M1	302A58	1	Ammeter, Charge 10-0-10	Ammeter, Charge 10-0-10
R1	304A344	1	Resistor, 1-Ohm, 25 Watt	Resistor, 1-Ohm, 25 Watt
R2	304A175	1	Resistor, 1-Ohm, 50 Watt, Adj.	Resistor, 1-Ohm, 50 Watt, Adj.
R3	304A251	1	Resistor, 30-Ohm, 5 Watt	Resistor, 30-Ohm, 5 Watt
RT1	304A60	1	Resistor, Hystemco 1.72-Ohm, 25 Watt	Resistor, Hystemco 1.72-Ohm, 25 Watt
S1	308P154	1	Switch, Stop/Start	Switch, Stop/Start
TB1	332A537	1	Terminal Block	Terminal Block
	332A540	1	Marker Strip	Marker Strip
	332-142	2	Terminal	Terminal
	301C2723	1	Control Box & Panel Assy.	Control Box & Panel Assy.
	301B1198	1	Mounting Bracket	Mounting Bracket
		1	Coil	Coil
	301C1244	1	Cover (RV Models)	Cover (RV Models)
	301B1271	1	Endplate (RV Models)	Endplate (RV Models)
	517-19	1	Dot - Button	Dot - Button
BT1		1	Battery, 12-Volt	Battery, 12-Volt
C3	312A35	1	Capacitor 0.1 MFD.	Capacitor 0.1 MFD.
	312A162	1	Capacitor 0.1 MFD. (Spec J Models)	Capacitor 0.1 MFD. (Spec J Models)
E2, 3		2	Spark Plugs	Spark Plugs
G1		1	Generator	Generator
*K5	307P312	1	Gas Solenoid	Gas Solenoid
S3		1	Breaker & Cap Assembly	Breaker & Cap Assembly
*S4	309A2	1	Switch, High Air Temp.	Switch, High Air Temp.
S2	309A10	1	Switch, Low Oil Pressure	Switch, Low Oil Pressure
T1		1	Ignition Coil (ONAN)	Ignition Coil (ONAN)

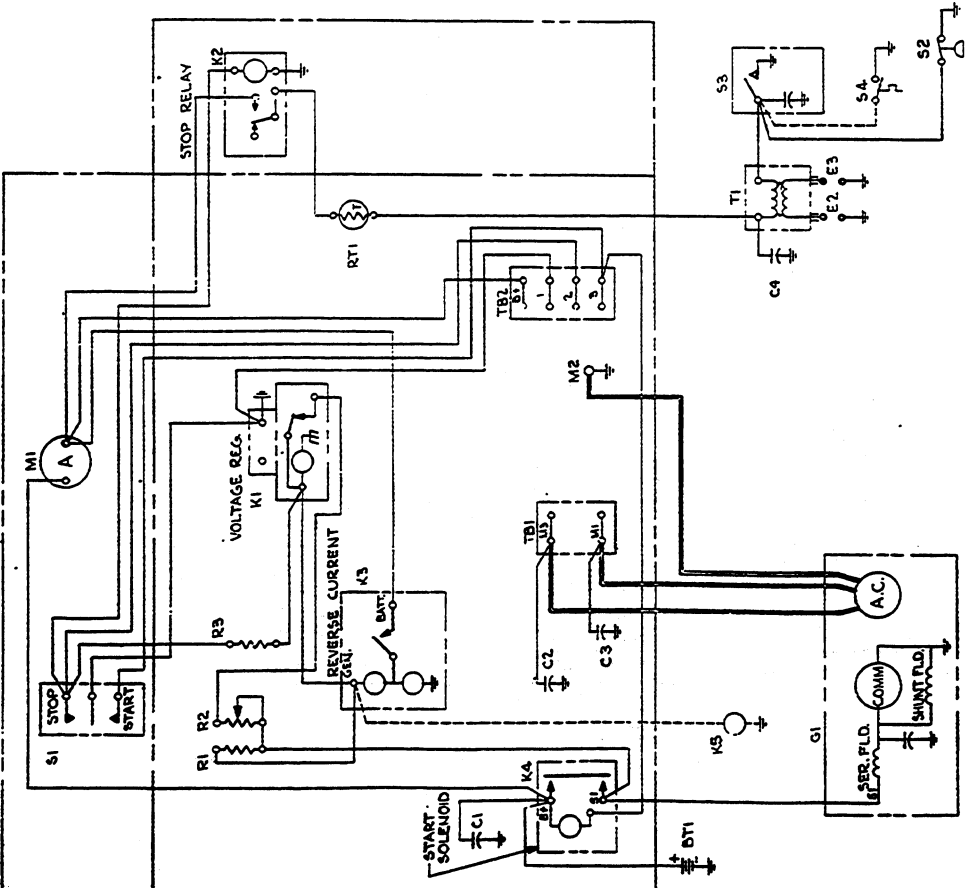
* - When Used.

MODEL: 611C957
 PART NO.: 611C957
 DATE: 10/1/58
 BY: J. W. HARRIS
 CHECKED: J. W. HARRIS
 APPROVED: J. W. HARRIS
 TITLE: DESIGNER
 DEPT.: ENGINEERING
 DIV.: ELECTRICAL
 PROJECT: 611C957

THIS DRAWING IS THE PROPERTY OF
 GENERAL ELECTRIC COMPANY
 ALL RIGHTS RESERVED
 NO PART OF THIS DRAWING IS TO BE REPRODUCED OR TRANSMITTED IN ANY FORM OR BY ANY MEANS, ELECTRONIC OR MECHANICAL, INCLUDING PHOTOCOPYING, RECORDING, OR BY ANY INFORMATION STORAGE AND RETRIEVAL SYSTEM.

WIRING DIAGRAM

INSIDE VIEW OF CONTROL BOX



NOTE:
ALL UNGROUND-ED A.C. LEADS
HAVE .1 MFD. CAPACITOR TO
GROUND IN GENERATOR.

PARTS LIST

REFDES	PART NO.	QTY	DESCRIPTION
C1	312A57	1	CAPACITOR 1.0 MFD.
E2.3	312A58	2	CAPACITOR 0.1 MFD.
K1	305A1	1	RELAY - 2 STEP VOLTAGE REG.
K2	301B253	1	RELAY - STOP
K3	307B160	1	RELAY - REVERSE CURRENT
K4	307B1046	1	RELAY - START SOLENOID
R1	302A59	1	WHEATSTONE CHARGE 10-0-10
R2	304A244	1	RESISTOR 1 OHM 25 W.
R3	304A175	1	RESISTOR 1 OHM 50 W. ADJ.
R4	304A251	1	RESISTOR 30-0OHM 5 W.
R5	304A60	1	RESISTOR - REFERENCE 1.72-0OHM 25 W
S1	309P154	1	SWITCH - STOP START
TB1	332A221	1	TERMINAL BLOCK
TB2	332A539	1	MARKER STRIP
	332A537	1	TERMINAL BLOCK
	332-142	1	TERMINAL
	301E2723	1	CONTROL BOX & PANEL ASSY
	301B1198	1	REC. BRACKET
	301G1744	1	COVER (RV MODEL(S))
	301B1771	1	EMPLATE (RV MODEL(S))
	98A1012	1	SILK SCREEN
	517-19	1	DOT BUTTON
			PARTS LIST (ENL-GC-1)
B11			BATTERY 12-VOLT
C4	312A55	1	CAPACITOR 0.1 MFD
	312A162	1	CAPACITOR 0.1 MFD (SPEC J MODEL(S))
E2.3		2	START PLUGS
G1		1	SOLENOID
R5	301P312	1	GPS SOLENOID
S3		1	BRKMR & VAP ASSY
S4	309A2	1	SWITCH - HIGH AIR TEMP.
S2	309B10	1	SWITCH - LOW OIL PRESS.
T1		1	IGNITION COIL - (CONN)

• WHEN USED

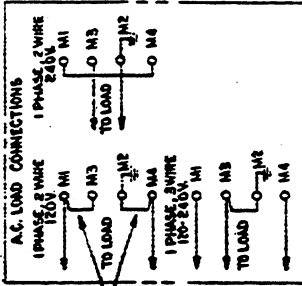
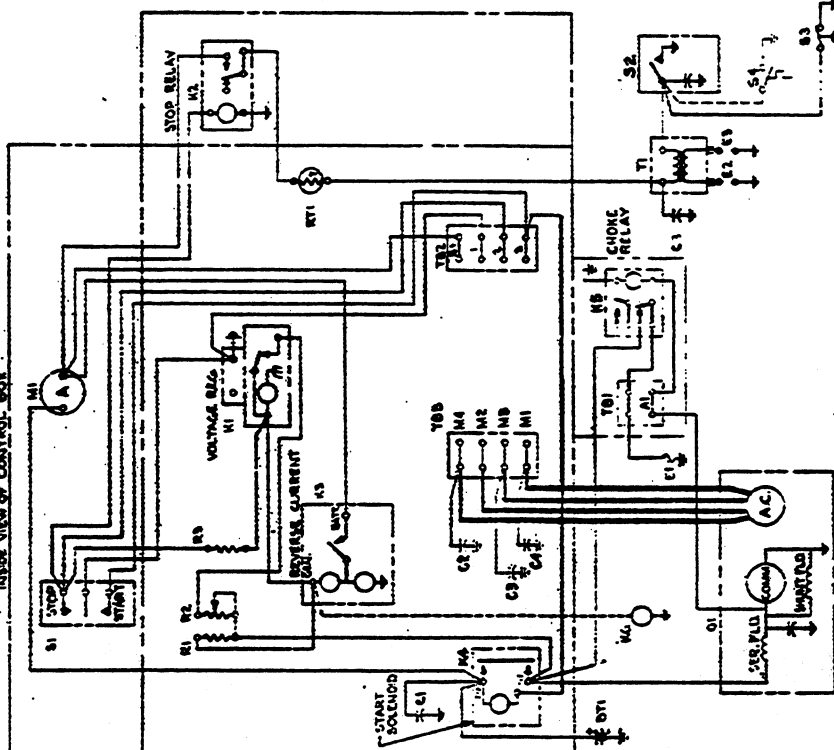
AVIALS N2507B40 552-0-68
 DIVISION OF INSTITUTE CORPORATION
 0-8-68 CDR
 W.R. NO. 6 SCHEMATIC DIAGRAM
 ENG-GEN. CONTROL
 611C963

5CCK-3RV6000/BJ
 120/240 V, 1 PH.,
 3W, 60 CY.

611C975

WIRING DIAGRAM

INSIDE VIEW OF CONTROL BOX



NOTE: MP (IMBEDD) AC LEAD.
ALL UNGROUND AC LEADS
HAVE A .01 MFD CAPACITOR TO
GROUND IN GENERATOR.

USE JUMPERS
332A135 (REF)

SCHEMATIC DIAGRAM

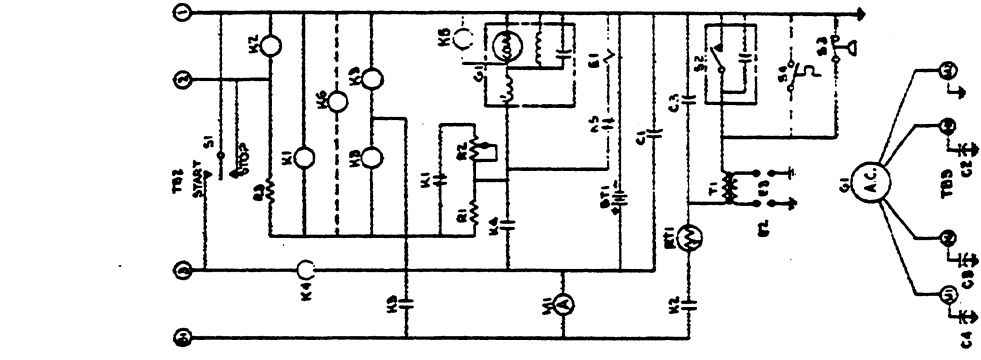


TABLE 1 (SEE LIST)

REF DES	PART NO.	QTY	DESCRIPTION
C1	317A57	1	CAPACITOR 1.0 MFD.
C2, C4	312A53	2	CAPACITOR 0.1 MFD 250VAC
C3	312A58	1	CAPACITOR 0.1 MFD 250VAC
M1	305A1	1	RELAY - 2 STEP VOLTAGE REG.
M2	307B253	1	RELAY - STOP
M3	307B180	1	RELAY - REVERSE CURRENT
M4	307B104 G	1	RELAY - START SILENCHU
M5	307B642	1	RELAY - CHOKE
M1	302A58	1	RESISTOR - CHARGE 10-0-10
R1	304A344	1	RESISTOR - 1-0HM, 25 W.
R2	304A175	1	RESISTOR - 1-0HM, 50 W, AD.
R3	304A251	1	RESISTOR - 30-0HM, 5 W
R11	304A60	1	RESISTOR - 172-0HM, 25 W.
S1	309P134	1	SWITCH - STOP - START
TB1	332A609	1	TERMINAL BLOCK
TB2	332A531	1	TERMINAL BLOCK
TB3	332A765	1	WAKER STRIP
TB3	332A254	1	MARKER STRIP
TB3	332A435	1	MARKER STRIP
TB3	332A135	2	JUMPER TERMINAL
R11	301E272	1	CONTROL BOX & PANEL ASSY
R11	301B198	1	ETG BRACKET
R11	301B272	1	RELAY TECH BLOCK BOX
R11	301L1244	1	COVER
R11	301B121	1	ENDPLATE
R11	98A1072	1	SILE SCREEN
R11	517-19	1	DOT BUTTON
R11	517-19	1	PARIS LIST (ENC-GEN)
R11	517-19	1	BATTERY 12-VOLT
C3	312A102	1	CAPACITOR 0.1 MFD (SPEC. J WORKS)
F1	F1	1	SPARK PLUGS
F2,3	F2,3	2	GENERATOR
G1	G1	1	FUEL COUPLER (WHEN USED)
R6	1491C50	1	DILATER & CAP ASST.
S2	S2	1	SWITCH-HIGH AIR TEMP
S4	305A2	1	SAFETY - LOCK OIL PRESS.
S3	305A10	1	IGNITION COIL - (OHM)
T1	T1	1	TRANSFORMER

* WHEN USED

REV	DATE	BY	CHK
1	11-1-57	J. J. ...	J. J. ...
2	11-1-57	J. J. ...	J. J. ...
3	11-1-57	J. J. ...	J. J. ...
4	11-1-57	J. J. ...	J. J. ...
5	11-1-57	J. J. ...	J. J. ...
6	11-1-57	J. J. ...	J. J. ...
7	11-1-57	J. J. ...	J. J. ...
8	11-1-57	J. J. ...	J. J. ...
9	11-1-57	J. J. ...	J. J. ...
10	11-1-57	J. J. ...	J. J. ...

Origin
 611C975
 1207240V, 1PH,
 60CY

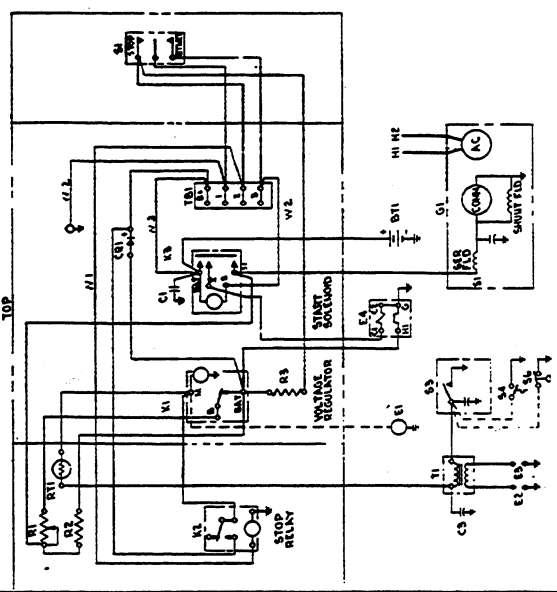
SECC-SCR0000/J
 400CK-3CR/6000J
 1207240V, 1PH,
 60CY

(C)

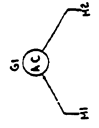
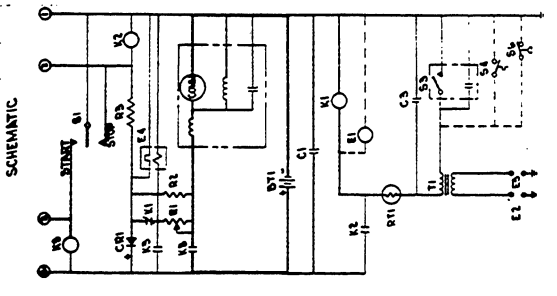
611C975

611C1002-1

WIRING DIAGRAM
INSIDE VIEW OF BOX
TOP



NOTE
IF IT IS SHOWN IN FIGS
OF THIS W. THAT COMPONENT IS
SHOWN IN GROUP.



REF. NO.	PART NO.	QTY. USED	PART DESCRIPTION
C1	312A185	1	Capacitor Assembly
	312A57(Ref)	1	Capacitor 1.0 MFD.
	305A494	1	Diode Assembly
CR1	305B235(Ref)	1	Diode, Reverse Current
	305A254(Ref)	1	Heat Sink
K1	305B383	1	Relay, 2-Step Voltage Ref.
	307A1120	1	Relay & Lead Assy-Stop
K2	307B253(Ref)	1	Relay, Stop
K3	307B845	1	Relay, Start Solenoid
	304A681	1	Resistor Assembly
R1	304A175(Ref)	1	Resistor, Adj, 1-Ohm, 50Watt
R2	304A344(Ref)	1	Resistor, 1-Ohm, 25Watt
	304A680	1	Resistor & Lead Assembly
RT1	304A60(Ref)	1	Resistor, Hitemco 1.72-Ohm, 25 Watt
	308A294	1	Switch Assembly, RMT Start
SI	308P154(Ref)	1	Switch, Start/Stop
R3	304A251(Ref)	1	Resistor, 30-Ohm, 5 Watt
TBI	332A537	1	Terminal Block
	332A566	1	Marker Strip
W1	336A2024	1	Lead Assembly 16"
W2	336A1045	1	Lead Assembly 8"
W3	336A2023	1	Lead Assembly 12"
	301B3227	1	Bracket, Control Box Mtg.
	301D3228	1	Control Box
	301B3102	1	Cover
	332-142	3	Terminal
	508-1	3	Grommet
	517-19	1	Dot-Button
BT1		1	Battery, 12-Volt
C3	312A162	1	Capacitor 0.1 MFD.
*E1		1	Fuel Pump
E2, 3		2	Spark Plug
E4		1	Choke, Thermo-Mag.
G1		1	Generator
S3		1	Breaker & Cap Assembly
*S4	309A2	1	Switch-High Air Temp.
*S6	309A10	1	Switch-Low Oil Pressure
T1		1	Ignition Coil (ONAN)

* - When Used.

REV.	DATE	BY	CHKD.
1	10/15/53	W. J.
2	11/10/53
3	11/10/53
4	11/10/53
5	11/10/53
6	11/10/53
7	11/10/53
8	11/10/53
9	11/10/53
10	11/10/53
11	11/10/53
12	11/10/53
13	11/10/53
14	11/10/53
15	11/10/53
16	11/10/53
17	11/10/53
18	11/10/53
19	11/10/53
20	11/10/53
21	11/10/53
22	11/10/53
23	11/10/53
24	11/10/53
25	11/10/53
26	11/10/53
27	11/10/53
28	11/10/53
29	11/10/53
30	11/10/53
31	11/10/53
32	11/10/53
33	11/10/53
34	11/10/53
35	11/10/53
36	11/10/53
37	11/10/53
38	11/10/53
39	11/10/53
40	11/10/53
41	11/10/53
42	11/10/53
43	11/10/53
44	11/10/53
45	11/10/53
46	11/10/53
47	11/10/53
48	11/10/53
49	11/10/53
50	11/10/53
51	11/10/53
52	11/10/53
53	11/10/53
54	11/10/53
55	11/10/53
56	11/10/53
57	11/10/53
58	11/10/53
59	11/10/53
60	11/10/53
61	11/10/53
62	11/10/53
63	11/10/53
64	11/10/53
65	11/10/53
66	11/10/53
67	11/10/53
68	11/10/53
69	11/10/53
70	11/10/53
71	11/10/53
72	11/10/53
73	11/10/53
74	11/10/53
75	11/10/53
76	11/10/53
77	11/10/53
78	11/10/53
79	11/10/53
80	11/10/53
81	11/10/53
82	11/10/53
83	11/10/53
84	11/10/53
85	11/10/53
86	11/10/53
87	11/10/53
88	11/10/53
89	11/10/53
90	11/10/53
91	11/10/53
92	11/10/53
93	11/10/53
94	11/10/53
95	11/10/53
96	11/10/53
97	11/10/53
98	11/10/53
99	11/10/53
100	11/10/53

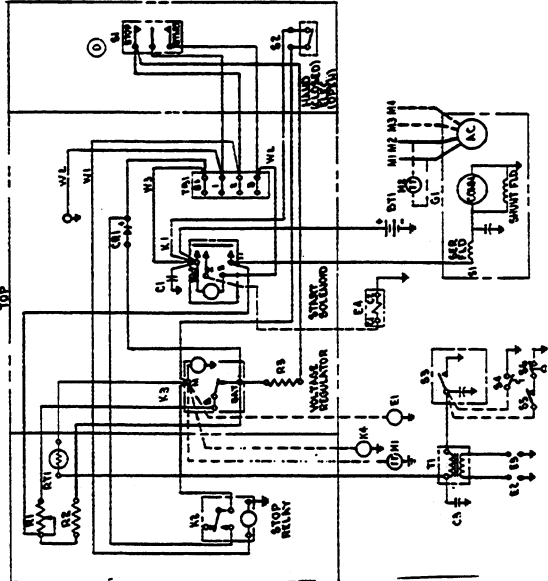
NOTE: UNLESS SPECIFIC NOTE IS MADE TO THE CONTRARY, ALL COMPONENTS ARE SHOWN IN THIS WIRING DIAGRAM AS MANUFACTURED BY THE ORIGINAL MANUFACTURER.

611C1002

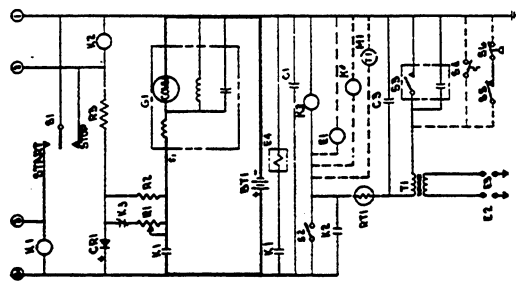
611C1035

611C1035

WIRING DIAGRAM
INSIDE VIEW OF BOX
TOP

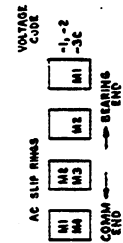
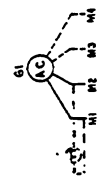


SCHEMATIC



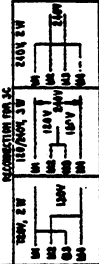
REF. NO.	PART NO.	QTY. USED	PART DESCRIPTION
C1	312A185	1	Capacitor Assembly
	305A494	1	Diode Assembly
CR1	305B235(Ref)	1	Diode, Reverse Current
	305A254(Ref)	1	Heat Sink
K1	307B845	1	Relay, Start Solenoid
	307A1120	1	Relay & Lead Assy., Stop
K2	307B253(Ref)	1	Relay, Stop
K3	305B383	1	Relay, 2-Step Voltage
	304A681	1	Resistor Assembly
R1	304A175(Ref)	1	Resistor, Adj. 1-Ohm, 50Watt
R2	304A344(Ref)	1	Resistor, Fixed 1-Ohm, 25Watt
	304A680	1	Resistor & Lead Assembly
RT1	304A60(Ref)	1	Resistor, 1.72-Ohm, 25Watt
	308A294	1	Switch Assy., RMT Start
S1	308P154(Ref)	1	Switch, Start/Stop
R3	304A251(Ref)	1	Resistor, 30-Ohm, 5Watt
	308A300	1	Switch & Lead Assembly
S2	308P2(Ref)	1	Switch (Hand/Elect. Start)
TB1	332A537	1	Terminal Block
	332A566	1	Marker Strip
W1	336A2024	1	Lead Assy. 16"
W2	336A1045	2	Lead Assy. 8"
W3	336A2023	1	Lead Assy. 12"
	301B3227	1	Bracket, Control Box Mtg.
	301D3228	1	Control Box
	301B3102	1	Cover
	508-1	3	Grommet
BT1		1	Battery, 12-Volt
C3	312A162	1	Capacitor 0.1 MFD.
E1		1	Fuel Pump
E2,3		2	Spark Plug
*E4		1	Choke, Sisson
G1		1	Generator
S3		1	Breaker & Cap Assembly
*S4	309A2	1	Switch, High Air Temp.
*S5	308-97	1	Switch
*S6	309A10	1	Switch, Low Oil Pressure
T1		1	Ignition Coil (ONAN)
*K4		1	Solenoid, Gas
*M1		1	Meter, Running Time, 12VDC
*M2		1	Meter, Running Time, 120VDC

* - When Used.



NOTE:
BT1 IS CHARGED AC LED
OTHERS ARE AC LED
WIRING MUST BE CORRECT IN
BOXES IN REVERSE.

PLACE DISCONNECT ON INSIDE OF COVER



REVISIONS

NO.	DATE	DESCRIPTION
1		INITIAL DESIGN
2		REVISED FOR MANUFACTURE
3		REVISED FOR MANUFACTURE
4		REVISED FOR MANUFACTURE
5		REVISED FOR MANUFACTURE
6		REVISED FOR MANUFACTURE
7		REVISED FOR MANUFACTURE
8		REVISED FOR MANUFACTURE
9		REVISED FOR MANUFACTURE
10		REVISED FOR MANUFACTURE

DATE: 10/10/55

BY: J. W. B. (JWB)

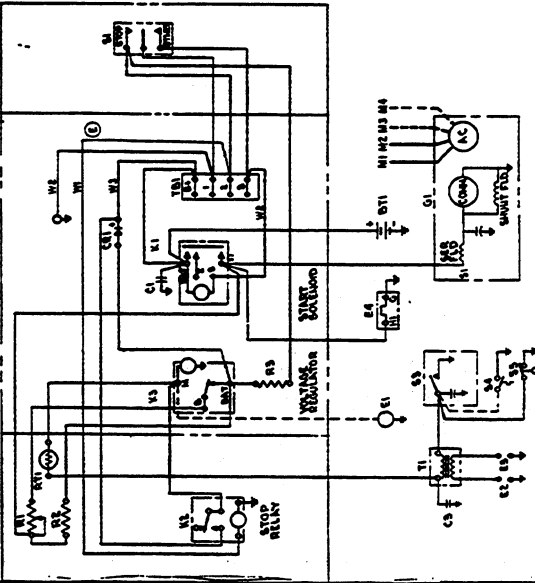
CHECKED: J. W. B. (JWB)

APPROVED: J. W. B. (JWB)

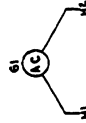
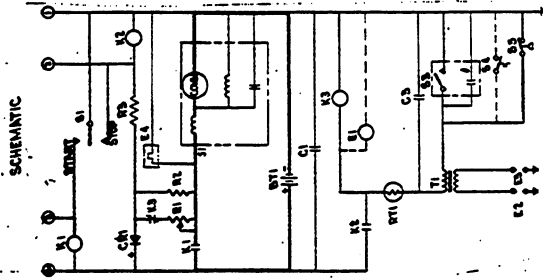
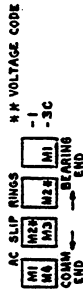
611C1035

61C1036

WIRING DIAGRAM
INSIDE VIEW OF BOX



W1 IS GROUND AC LINES
OTHERS HAVE A BUS CONNECTION TO
SLIP IN GENERATOR.



REF. NO.	PART NO.	QTY. USED	PART DESCRIPTION
C1	312A185	1	Capacitor Assembly
	309A494	1	Diode Assembly
CR1	305B235(Ref)	1	Diode - Reverse Current
	305A254(Ref)	1	Heat Sink
K1	307B845	1	Relay - Start Solenoid
	307A1120	1	Relay & Lead Assy. -Stop
K2	307B253(Ref)	1	Relay, Stop
K3	305B383	1	Relay, 2-Step Voltage
	304A681	1	Resistor Assembly
R1	304A175(Ref)	1	Resistor Adj., 1-Ohm, 50 Watt
R2	304A344(Ref)	1	Resistor, Fixed, 1-Ohm, 25 Watt
	304A680	1	Resistor & Lead Assembly
RT1	304A60(Ref)	1	Resistor, 1.72-Ohm, 25 Watt
	308A294	1	Switch Assy., RMT Start
S1	309P154(Ref)	1	Switch, Start/Stop
R3	304A251(Ref)	1	Resistor, 30-Ohm, 5 Watt
TB1	332A537	1	Terminal Block
	332A566	1	Marker Strip
W1	336A2024	1	Lead Assembly 16"
W2	336A1045	1	Lead Assembly 8"
W3	336A2023	1	Lead Assembly 12"
	301B3227	1	Bracket, Control Box Mtg.
	301D3228	1	Control Box
	301B3102	1	Cover
	517-19	1	Dot-Button
	508-1	3	Grommet

BT1	Battery, 12 Volt
C3	Capacitor, 0.1MF.D.
*E1, 3	Fuel Pump
E2, 3	Spark Plug
E4	Choke, Electric
G1	Generator
S3	Breaker & Cap Assembly
*S4	Switch, High Air Temp.
S5	Switch, Low Oil Pressure
T1	Ignition Coil (ONAN)

* - When Used.

61C1036

WIRING DIAGRAM

DATE: 10-15-53

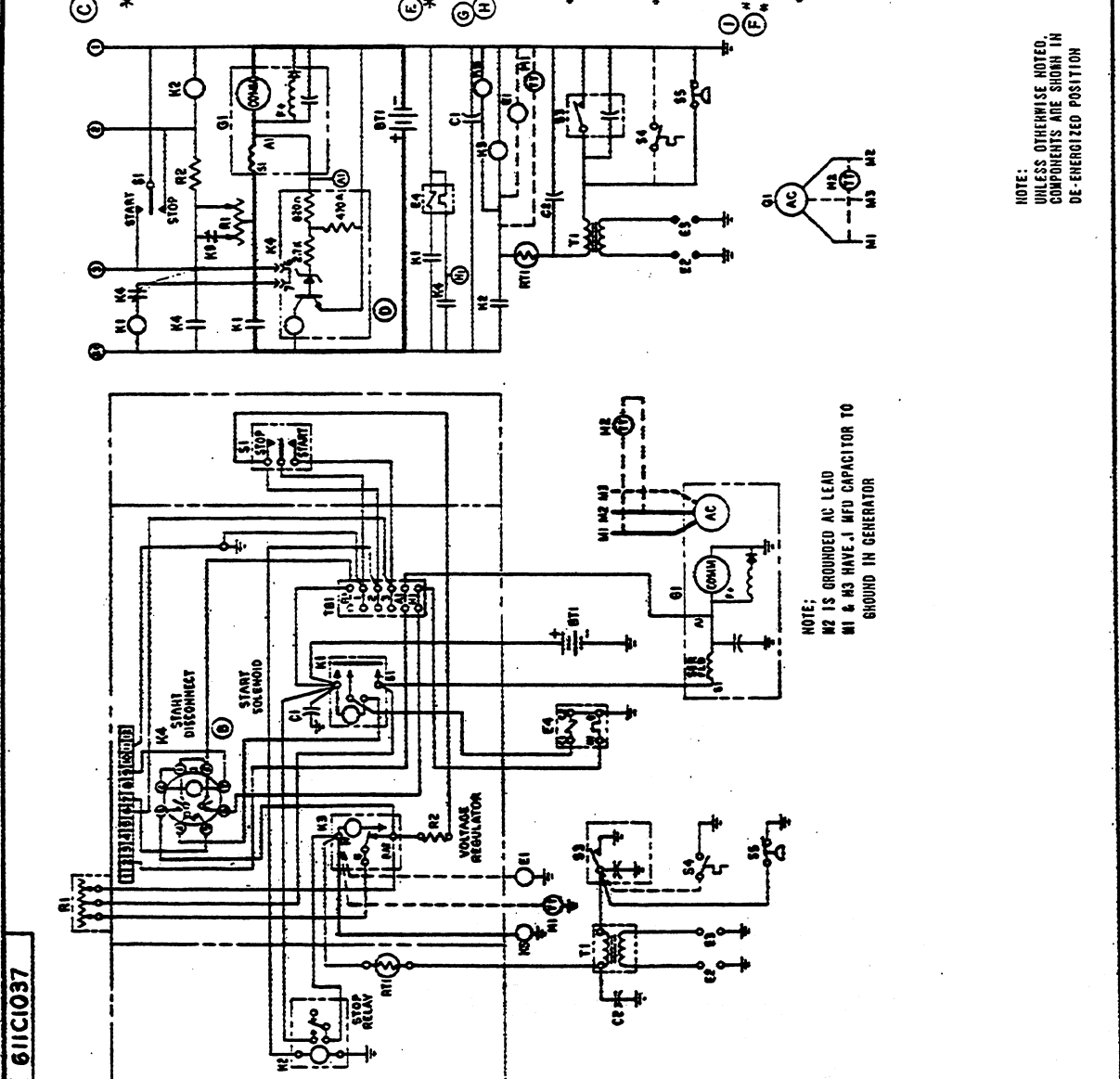
BY: J. H. HARRIS

APPROVED: J. H. HARRIS

61C1036

611C1037

REF DES.	PART NO.	QTY.	DESCRIPTION
C1	312A1R5	1	CAPACITOR ASSY
K1	307UR45	1	RELAY-START SOLENOID
K2	307U1052	1	RELAY-STOP
K3	305U383	1	RELAY-VOLTAGE DGLTH (2-STEP)
K4	308R220	1	RELAY ASSY-START DISC
R1	304A463	1	RESISTOR-TAPPED (OHM-COH CHG)
R2	304A630	1	RESISTOR-LEAD ASSY
R3	304A630	1	RESISTOR-FIXED 25 W. 1.7Ω
R4	308A294	1	SWITCH ASSY-BHT START
S1	300M154(REF)	1	SWITCH-TOGGLE (START-STOP)
S2	304AZ6(REF)	1	RESISTOR-FIXED 30 OHM, 5 W
T1	332A899	1	TERMINAL BLOCK
	332A1289	1	MARKER STRIP
	301B3735	1	RESISTOR MTG BOX
	301B3727	1	DRAGKET-CONT BOX MTG
	301B3733	1	CONTROL BOX
	301B3102	1	COVER
	80A27117	1	SILKSCREEN
	5C8-1	4	GROUNDIFT
	307R1070(REF)	1	RELAY-START DISCONNECT
	300R734(REF)	1	AMPLIFIER-START DISC
	323B802(REF)	1	SOCKET ASSY-START DISC
	300A330G(REF)	1	SPRING



NOTE:
M2 IS GROUNDED AC LEAD
M1 & M3 HAVE .1 MFD CAPACITOR TO
GROUND IN GENERATOR

NOTE:
UNLESS OTHERWISE NOTED
COMPONENTS ARE SHOWN IN
DE-ENERGIZED POSITION

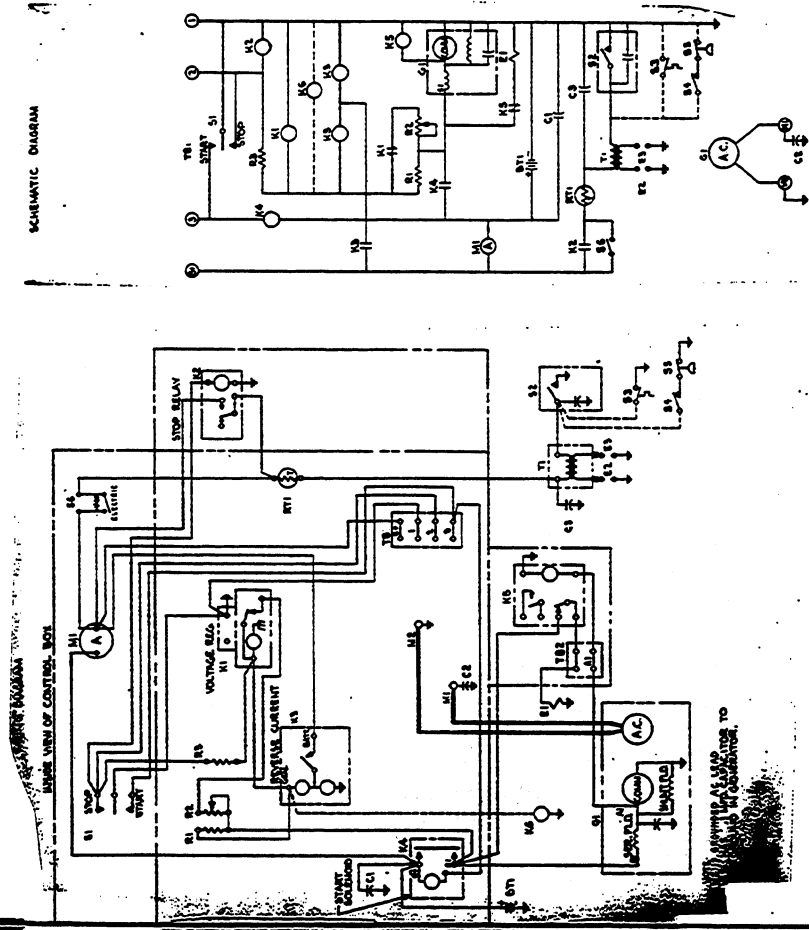
*WHEN USED

REF DES.	PART NO.	QTY.	DESCRIPTION
B11			
C2	312A1R2	1	CAPACITOR, 0.1 MFD
E1			
E2,3			
E4			
G1			
S3	308A2	1	BULB/BLK & CAP ASSEMBLY
S4			SWITCH-HIGH AIR TEMP
S5	308A10	1	SWITCH-LOW OIL PRESS
T1			IGNITION COIL
K5			VALVE-POSITIVE FUEL SOL INUT OFF
M1			METER-RUNNING TIME, 12 VDC
M2			METER-RUNNING TIME, 120 VAC

ITEM	DESCRIPTION	QTY.	UNIT
1	STARTER MOTOR	1	EA
2	STOP MOTOR	1	EA
3	STOP MOTOR	1	EA
4	STOP MOTOR	1	EA
5	STOP MOTOR	1	EA
6	STOP MOTOR	1	EA
7	STOP MOTOR	1	EA
8	STOP MOTOR	1	EA
9	STOP MOTOR	1	EA
10	STOP MOTOR	1	EA
11	STOP MOTOR	1	EA
12	STOP MOTOR	1	EA
13	STOP MOTOR	1	EA
14	STOP MOTOR	1	EA
15	STOP MOTOR	1	EA
16	STOP MOTOR	1	EA
17	STOP MOTOR	1	EA
18	STOP MOTOR	1	EA
19	STOP MOTOR	1	EA
20	STOP MOTOR	1	EA
21	STOP MOTOR	1	EA
22	STOP MOTOR	1	EA
23	STOP MOTOR	1	EA
24	STOP MOTOR	1	EA
25	STOP MOTOR	1	EA
26	STOP MOTOR	1	EA
27	STOP MOTOR	1	EA
28	STOP MOTOR	1	EA
29	STOP MOTOR	1	EA
30	STOP MOTOR	1	EA
31	STOP MOTOR	1	EA
32	STOP MOTOR	1	EA
33	STOP MOTOR	1	EA
34	STOP MOTOR	1	EA
35	STOP MOTOR	1	EA
36	STOP MOTOR	1	EA
37	STOP MOTOR	1	EA
38	STOP MOTOR	1	EA
39	STOP MOTOR	1	EA
40	STOP MOTOR	1	EA
41	STOP MOTOR	1	EA
42	STOP MOTOR	1	EA
43	STOP MOTOR	1	EA
44	STOP MOTOR	1	EA
45	STOP MOTOR	1	EA
46	STOP MOTOR	1	EA
47	STOP MOTOR	1	EA
48	STOP MOTOR	1	EA
49	STOP MOTOR	1	EA
50	STOP MOTOR	1	EA
51	STOP MOTOR	1	EA
52	STOP MOTOR	1	EA
53	STOP MOTOR	1	EA
54	STOP MOTOR	1	EA
55	STOP MOTOR	1	EA
56	STOP MOTOR	1	EA
57	STOP MOTOR	1	EA
58	STOP MOTOR	1	EA
59	STOP MOTOR	1	EA
60	STOP MOTOR	1	EA
61	STOP MOTOR	1	EA
62	STOP MOTOR	1	EA
63	STOP MOTOR	1	EA
64	STOP MOTOR	1	EA
65	STOP MOTOR	1	EA
66	STOP MOTOR	1	EA
67	STOP MOTOR	1	EA
68	STOP MOTOR	1	EA
69	STOP MOTOR	1	EA
70	STOP MOTOR	1	EA
71	STOP MOTOR	1	EA
72	STOP MOTOR	1	EA
73	STOP MOTOR	1	EA
74	STOP MOTOR	1	EA
75	STOP MOTOR	1	EA
76	STOP MOTOR	1	EA
77	STOP MOTOR	1	EA
78	STOP MOTOR	1	EA
79	STOP MOTOR	1	EA
80	STOP MOTOR	1	EA
81	STOP MOTOR	1	EA
82	STOP MOTOR	1	EA
83	STOP MOTOR	1	EA
84	STOP MOTOR	1	EA
85	STOP MOTOR	1	EA
86	STOP MOTOR	1	EA
87	STOP MOTOR	1	EA
88	STOP MOTOR	1	EA
89	STOP MOTOR	1	EA
90	STOP MOTOR	1	EA
91	STOP MOTOR	1	EA
92	STOP MOTOR	1	EA
93	STOP MOTOR	1	EA
94	STOP MOTOR	1	EA
95	STOP MOTOR	1	EA
96	STOP MOTOR	1	EA
97	STOP MOTOR	1	EA
98	STOP MOTOR	1	EA
99	STOP MOTOR	1	EA
100	STOP MOTOR	1	EA

611C1037

611C1039
REV. 1-57



SCHEMATIC DIAGRAM

REF. NO.	PART NO.	QTY. USED	PART DESCRIPTION
C1	312A57	1	Capacitor 1.0 MFD.
C2	312A58	1	Capacitor 0.1 MFD.
K1	305A1	1	Relay, 2-Step Voltage Reg.
K2	307B253	1	Relay, Stop
K3	307B180	1	Relay, Reverse Current
K4	307B1046	1	Relay, Start Solenoid
K5	307B642	1	Relay, Choke
MI	302A58	1	Ammeter, Choke 10-0-10
R1	304A344	1	Resistor, 1-Ohm, 25Watt
R2	304A175	1	Resistor, 1-Ohm, 50Watt, Adj.
R3	304A251	1	Resistor, 30-Ohm, 5Watt
RT1	304A60	1	Resistor, Hystemco, 1.72-Ohm, 25Watt
SI	308PI54	1	Switch, Start/Stop
S6	308P2	1	Switch, Hand/Elect. Start
TBI	332A537	1	Terminal Block
	332A540	1	Marker Strip
	332-142	2	Terminal
TB2	332A609	1	Terminal Block
	301B2722	1	Relay & Terminal Block Box
	301C2723	1	Control Box & Panel Assy.
	301B1198	1	Mounting Bracket
	301C1244	1	Cover
	301B1271	1	Endplate
BT1		1	Battery, 12-Volt
C3	312A35(Ref)	1	Capacitor 0.1 MFD.
	312A162(Ref)	1	Capacitor 0.1 MFD. (Spec J Models)
*E1		1	Choke, Sisson Electric
*E2, 3		2	Spark Plugs
G1		1	Generator
*K6	307P312(Ref)	1	Fuel Solenoid
S2		1	Breaker & Cap Assembly
*S3	309A2(Ref)	1	Switch, High Air Temp.
*S4	308-97(Ref)	1	Switch
*S5	309A10(Ref)	1	Switch, Low Oil Pressure
TI		1	Ignition Coil - (ONAN)

* - When Used.

611C1039

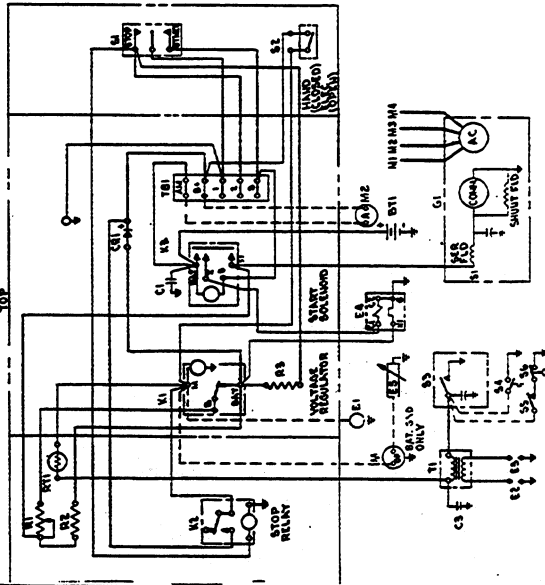
REV. 1-57

CONTROL - GEN. SET

611C1039

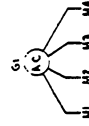
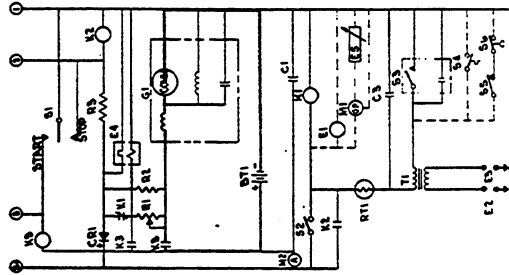
611C1047

WIRING DIAGRAM
INSIDE VIEW OF BOX
TOP



NOTE: SEE FIG. 1, 2, 3 & 4 FOR
DIMENSIONS AND LOCATION OF
COMPONENTS IN BOX.

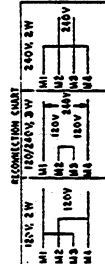
SCHEMATIC



REF. NO.	PART NO.	QTY. USED	PART DESCRIPTION
	312A57	1	Capacitor 1.0 MFD.
C1	305B235	1	Diode, Reverse Current
CRI	305A254	1	Heat Sink
K1	305B383	1	Relay, 2-Step Voltage Reg.
K2	307B253	1	Relay, Stop
K3	307B845	1	Relay, Start Solenoid
R1	304A175	1	Resistor, 1-Ohm, 50 Watt, Adj.
R2	304A344	1	Resistor, 1-Ohm, 25 Watt
R3	304A251	1	Resistor, 30-Ohm, 5 Watt
RT1	304A60	1	Resistor, Hitemco, 1.72-Ohm, 25 Watt
SI	308P154	1	Switch, Start/Stop
S2	308P2	1	Switch, Hand/Elect. Start
⊙ TBI	332A604	1	Block, Terminal
	332A613	1	Strip, Marker
⊙	301B3227	1	Bracket, Control Box Mfg. Control Box
	301D3294	1	Cover
	301B3102	1	Terminal
	332-142	1	Grommet
	508-1	3	
BT1	312A162	1	Battery, 12-Volt
C3		1	Capacitor 0.1 MFD.
*E1		1	Fuel Pump
E2, 3		2	Spark Plug
E4		1	Choke, Thermo Mag.
G1		1	Generator
S3		1	Breaker & Cap Assembly
*S4	309A2	1	Switch, High Air Temp.
*S5	308-97	1	Switch
*S6,	309A10	1	Switch, Low Oil Pressure
T1		1	Ignition Coil (ONAN)
⊙ E5	193A108	1	Sender - Oil Pressure
M1	193A107(Ref)	1	Gauge, Oil Pressure
M2	302A58(Ref)	1	Ammeter

* - When Used.

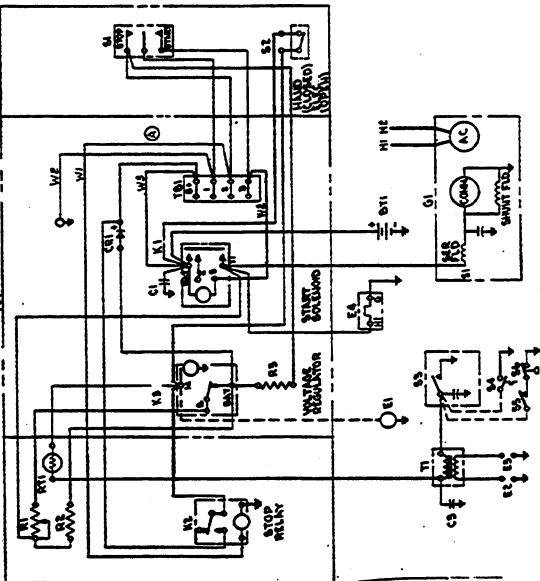
PLACE SILKSCREEN ON INSIDE OF COVER



REV.	DATE	BY	CHKD.	APP. NO.	DESCRIPTION
01	5-8-58	CCB	58/932		WIRING DIAGRAM CONTROL - GEN SET
02	5-8-58	CCB	58/932		CONTROL - GEN SET
03	5-8-58	CCB	58/932		CONTROL - GEN SET
04	5-8-58	CCB	58/932		CONTROL - GEN SET

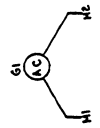
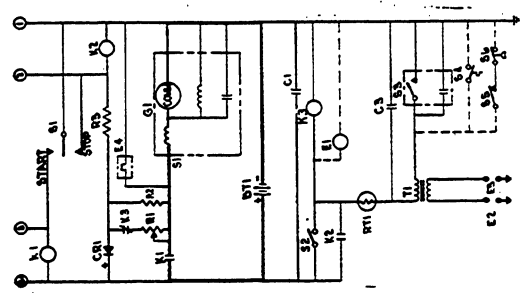
611C1049

WIRING DIAGRAM
INSIDE VIEW OF BOX



NOTE:
1. GENERATOR IS USED
BY MAINS IN .1 HRS OPERATION TO
CHARGE IN GENERATOR

SCHEMATIC



REF. NO.	PART NO.	QTY. USED	PART DESCRIPTION
CI	312A185	1	Capacitor Assembly
CRI	305A494	1	Diode Assembly
KI	305B235(Ref)	1	Diode, Reverse Current
K2	305A254(Ref)	1	Heat Sink
K3	307B845	1	Relay, Start Solenoid
R1	307A1120	1	Relay & Lead Assy-Stop
R2	307B253(Ref)	1	Relay, Stop
R3	305B383	1	Relay, 2-Step Voltage
RT1	304A681	1	Resistor Assembly
S1	304A175(Ref)	1	Resistor, Adj., 1-Ohm, 50 Watt
S2	304A344	1	Resistor, Fixed, 1-Ohm, 25 Watt
TBI	304A680	1	Resistor & Lead Assembly
W1	304A60(Ref)	1	Resistor, 1.72-Ohm, 25 Watt
W2	308A294	1	Switch Assy., RMT Start
W3	308P154(Ref)	1	Switch, Start/Stop
BT1	304A251(Ref)	1	Resistor, 30-Ohm, 5 Watt
E1	308A300	1	Switch & Lead Assembly
E2, 3	308P2(Ref)	1	Switch (Hand/Elect. Start)
E4	332A537	1	Terminal Block
GI	332A566	1	Marker Strip
S3	336A2024	1	Lead Assembly 16"
*S4	336A1045	2	Lead Assembly 8"
*S5	336A2023	1	Lead Assembly 12"
*S6	301B3227	1	Bracket, Control Box Mtg.
TI	301D3228	1	Control Box
	301B3102	1	Cover
	508-1	3	Grommet
BT1	312A162	1	Battery, 12-Volt
C3		1	Capacitor, 0.1 MFD.
E1		1	Fuel Pump
E2, 3		2	Spark Plug
E4		1	Choke, Electric
GI		1	Generator
S3	309A2	1	Breaker & Cap Assembly
*S4	308-97	1	Switch, High Air Temp.
*S5	309A10	1	Switch, Low Oil Pressure
*S6		1	Ignition Coil (ONAN)

* - When Used.

611C1049

3-10-70

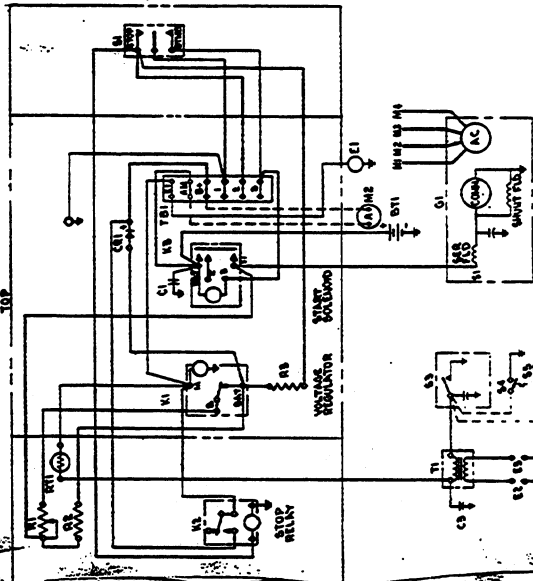
WIRING DIAGRAM

CONTROL - GEN. SET

611C1049

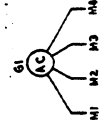
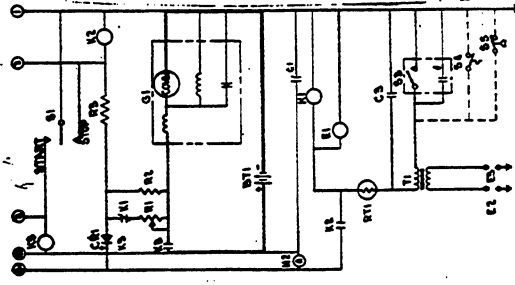
61C1050

WIRING DIAGRAM
INSIDE VIEW OF BOX
TOP



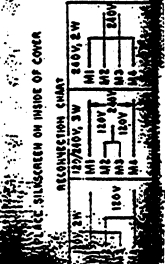
BT1 IS GROUND TO BE USED
BY OTHERS WIRE-1 AND CONNECTION TO
GROUND IS INDICATED.

SCHEMATIC



REF. NO.	PART NO.	QTY. USED	PART DESCRIPTION
C1	312A57	1	Capacitor, 1.0 MFD.
CRI	305B235	1	Diode, Reverse Current
	305A254	1	Heat Sink
K1	305B383	1	Relay, 2-Step Voltage Reg.
K2	307B253	1	Relay, Stop
K3	307B845	1	Relay, Start Solenoid
R1	304A175	1	Resistor, 1-Ohm, 50 Watt, Adj.
R2	304A344	1	Resistor, 1-Ohm, 25 Watt
R3	304A251	1	Resistor, 30-Ohm, 5 Watt
RT1	304A60	1	Resistor, Hystemco, 1.72-Ohm, 25 Watt
S1	308P154	1	Switch, Start/Stop
	332A699	1	Block, Terminal
TBI	332A730	1	Strip, Marker
	301B3227	1	Bracket, Control Box Mtg.
	301D3294	1	Control Box
	301B3102	1	Cover
	332-142	1	Terminal
	508-1	3	Grommet
	517-19	1	Dot-Button
BT1		1	Battery, 12-Volt
C3	312A162	1	Capacitor, 0.1 MFD.
E1		1	Valve, Gas Solenoid
E2, 3		2	Spark Plug
G1		1	Generator
S3		1	Breaker & Cap Assembly
*S4	309A2	1	Switch, High Air Temp.
*S5	309A10	1	Switch, Low Oil Press.
T1		1	Ignition Coil (ONAN)
M2		1	Ammeter (Furnished by Customer)

* - When Used.



61C1050

DATE: 1-15-70

BY: J. B. JONES

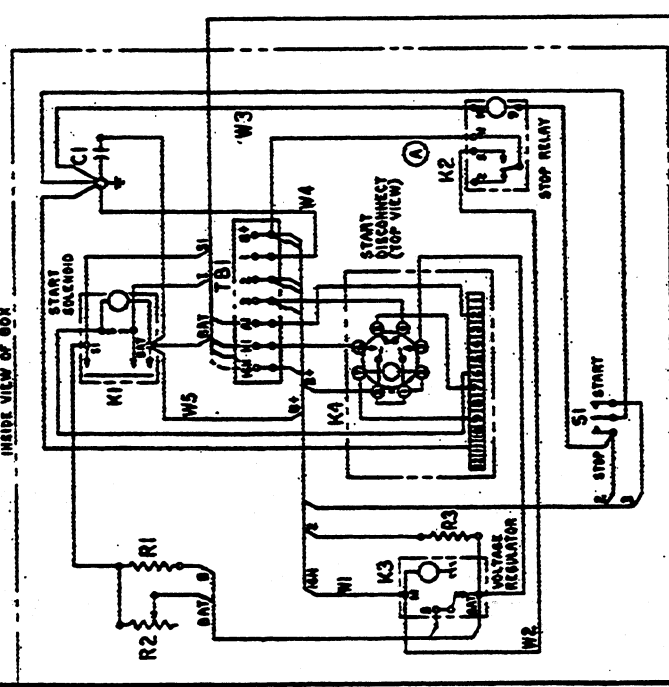
APPROVED: J. B. JONES

REVISIONS:

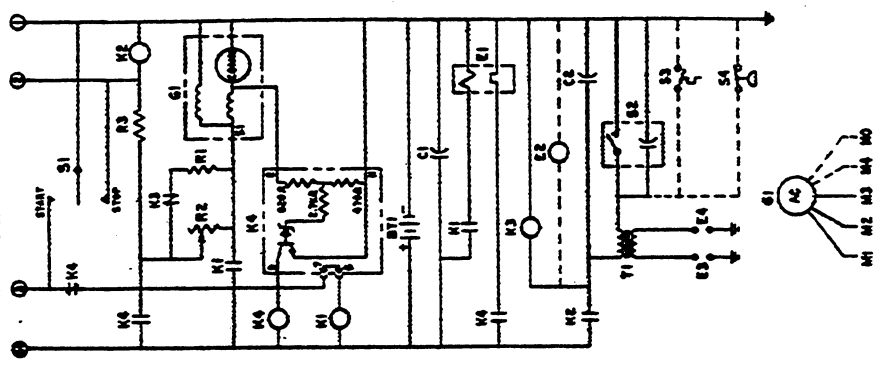
NO.	DATE	DESCRIPTION
1	1-15-70	INITIAL DESIGN
2	1-15-70	REVISED TO CORRECT
3	1-15-70	REVISED TO CORRECT

611C1052

WIRING DIAGRAM
INSIDE VIEW OF BOX



SCHEMATIC



REF. DES.	PART NO.	QTY.	DESCRIPTION
C1	312A195	1	CAPACITOR, ASSY, 1.0 MFD.
K1	3070R45	1	RELAY - START SOLENOID
K2	307B1052	1	RELAY - STOP
K3	305B383	1	RELAY - 2 STEP VOLTAGE REGULATOR
K4	306D232	1	RELAY ASSY - START DISC
K5	30D1070(REF)	1	RELAY - START DISCONNECT
K6	30D1734(REF)	1	AMPLIFIER - START DISCONNECT
K7	304AG88	1	RESISTOR & LEAD ASSY
K8	353AG (REF)	1	RESISTOR, 60, 50 W
K9	304AG69	1	RESISTOR & LEAD ASSY
R1	3011C37(ULF)	1	RESISTOR, 60, 100 W (40)
R2	304AG85	1	RESISTOR & LEAD ASSY
R3	304A251(REF)	1	RESISTOR, 300, 5 W
S1	308T154(REF)	1	SWITCH ASSY
S2	308T154(REF)	1	SWITCH - START, STOP
T1	332A745	1	TERMINAL BLOCK
W1	332A1321	1	WAIKLER STRIP
W2	330A2032	1	LEAD ASSY
W3	330A2030	1	LEAD ASSY
W4	336A2031	1	LEAD ASSY
W5	336A1431	1	LEAD ASSY
W6	339A2032	1	LEAD ASSY
BT1	301D351	1	CONTROL BOX
C2	301B345	1	COVER - CONTROL BOX
E1	331-88	2	GROUND
E2	50A-4	1	GROUND
E3,4	98A1870	1	SILKSCREEN-RECONNECTION
G1	98A2268	1	SILKSCREEN-START, STOP
S3		1	BATTERY, 24V
S4		1	CAPACITOR, 0.1 MFD
T1		1	CHOKE-THERMO MAG
		2	PUMP-FUEL
		1	SPARK PLUG
		1	GENERATOR
		1	BREAKER & CAP ASSY
		1	SWITCH-HIGH AIR TEMP
		1	SWITCH-LOW OIL PRESS
		1	COIL-LIGHTING
		1	SOCKET ASSY - START DISC
		1	SPRING

2510119

PARTS LIST ENG GEN (REF)

*WHEN USED

ITEM	QTY	DESCRIPTION	REF
1	1	ITEM 304A251(REF)	2
2	1	ITEM 304A251(REF)	2
3	1	ITEM 304A251(REF)	2
4	1	ITEM 304A251(REF)	2
5	1	ITEM 304A251(REF)	2
6	1	ITEM 304A251(REF)	2
7	1	ITEM 304A251(REF)	2
8	1	ITEM 304A251(REF)	2
9	1	ITEM 304A251(REF)	2
10	1	ITEM 304A251(REF)	2

REV	DATE	BY	CHKD	DESCRIPTION
1	0-25-70	CDR	7/2/74	CONTROL - GEN SET (WIRING DIAGRAM)
2				
3				
4				
5				
6				
7				
8				
9				
10				

611C1052

12V REMOTE

01 NH-M A/4000A

12V REMOTE

12V REMOTE

12V REMOTE

12V REMOTE

12V REMOTE

12V REMOTE

12V REMOTE

12V REMOTE

12V REMOTE

12V REMOTE

12V REMOTE

12V REMOTE

12V REMOTE

12V REMOTE

12V REMOTE

12V REMOTE

12V REMOTE

12V REMOTE

12V REMOTE

12V REMOTE

12V REMOTE

12V REMOTE

12V REMOTE

12V REMOTE

12V REMOTE

12V REMOTE

12V REMOTE

12V REMOTE

12V REMOTE

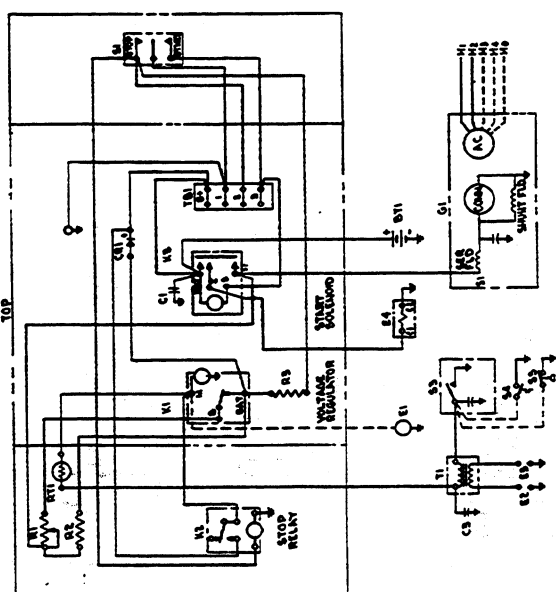
12V REMOTE

12V REMOTE

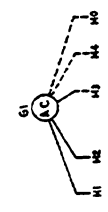
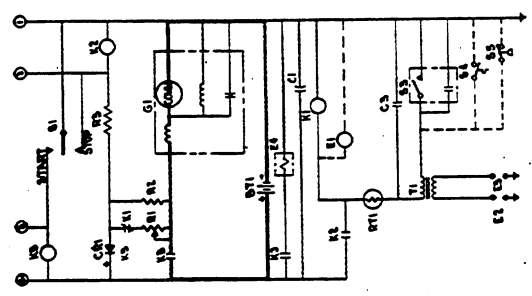
12V REMOTE

611C1054

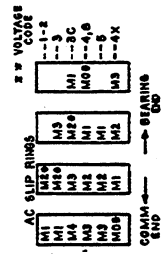
WIRING DIAGRAM
INSIDE VIEW OF BOX
TOP



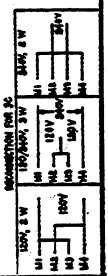
SCHEMATIC



NOTE: GROMMET AS SHOWN
ON THIS WIRE IS TO BE CONNECTED TO
GROUND IN OPERATION.



PLACE ENLARGED ON INSIDE OF COVER



REF. NO.	PART NO.	QTY. USED	PART DESCRIPTION
C1	312A57	1	Capacitor 1.0 MFD.
CRJ	305B235	1	Diode, Reverse Current
	305A254	1	Heat Sink
K1	305B383	1	Relay, 2-Step Voltage Reg.
K2	307B253	1	Relay, Stop
K3	307B845	1	Relay, Start Solenoid
R1	304A175	1	Resistor, 1-Ohm, 50Watt, Adj.
R2	304A344	1	Resistor, 1-Ohm, 25 Watt
R3	304A251	1	Resistor, 30-Ohm, 5 Watt
RT1	304A60	1	Resistor, Hytemco, 1.72-Ohm, 25Watt
S1	308P154	1	Switch, Start/Stop
TBI	332A537	1	Block, Terminal
	332A566	1	Strip, Marker
	301B3227	1	Bracket, Control Box Mtg.
	301D3228	1	Control Box
	301B3102	1	Cover
	508-1	3	Grommet
	517-19	1	Dot - Button
BT1	312A162	1	Battery, 12-Volt
C3		1	Capacitor 0.1 MFD.
*E1		1	Fuel Pump
E2, 3		2	Spark Plug
E4		1	Choke, Electric
G1		1	Generator
S3		1	Breaker & Cap Assembly
*S4	309A2	1	Switch, High Air Temp.
*S5	309A10	1	Switch, Low Oil Pressure
T1		1	Ignition Coil (ONAN)

* - When Used.

611C1054

REVISIONS

NO.	DATE	DESCRIPTION
1		

APPROVED FOR RELEASE BY NSA/CSS/DP/DIR

CONTROLLED UNCLASSIFIED

DATE 08-28-2011 BY 60322 UCBAW

NOTE: APPROVED FOR RELEASE BY NSA/CSS/DP/DIR

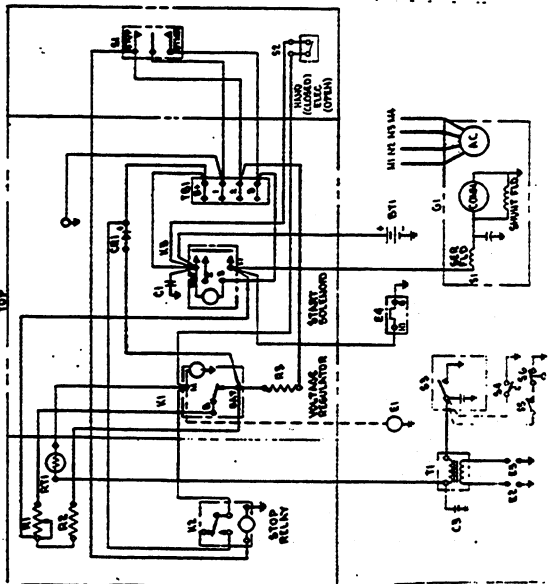
CONTROLLED UNCLASSIFIED

DATE 08-28-2011 BY 60322 UCBAW

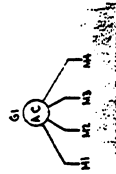
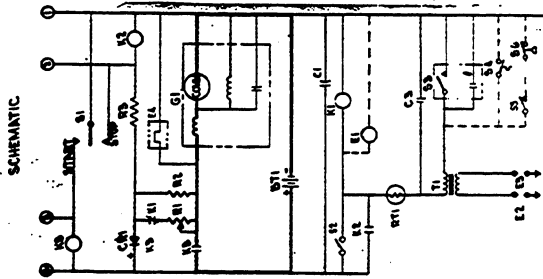
611C1054

611C1061

WIRING DIAGRAM
INSIDE VIEW OF BOX
TOP



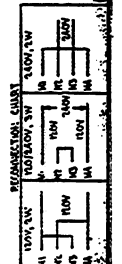
*BT1 IS SHOWN AS USED
ON THIS UNIT. IT IS NOT NECESSARY TO
ORDER IT SEPARATELY.



REF. NO.	PART NO.	QTY. USED	PART DESCRIPTION
CI	312A57	1	Capacitor 1.0 MFD.
CRI	305B235	1	Diode, Reverse Current
	305A254	1	Heat Sink
K1	305B383	1	Relay, 2-Step Voltage Reg.
K2	307B253	1	Relay, Stop
K3	307B845	1	Relay, Start Solenoid
R1	304A175	1	Resistor, 1-Ohm, 50Watt, Adj.
R2	304A344	1	Resistor, 1-Ohm, 25Watt
R3	304A251	1	Resistor, 30-Ohm, 5Watt
RT1	304A60	1	Resistor, Hytemco, 1.72-Ohm, 25Watt
S1	308P154	1	Switch, Start/Stop
S2	308P2	1	Switch, Hand/Elect. Start
TBI	332A537	1	Block, Terminal
	332A566	1	Strip, Marker
	301B3227	1	Bracket, Control Box Mtg.
	301D3228	1	Control Box
	301B3102	1	Cover
	508-1	3	Grommet
BT1		1	Battery, 12-Volt
C3	312A162	1	Capacitor 0.1 MFD.
*E1		2	Fuel Pump
E2, 3		1	Spark Plug
E4		1	Choke, Electric
G1		1	Generator
S3		1	Breaker & Cap Assembly
*S4	309A2	1	Switch, High Air Temp.
*S5	308-97	1	Switch
*S6	309A10	1	Switch, Low Oil Pressure
T1		1	Ignition Coil (ONAN)

* - When Used.

PLACE SILVERBUSH ON INSIDE OF COVER

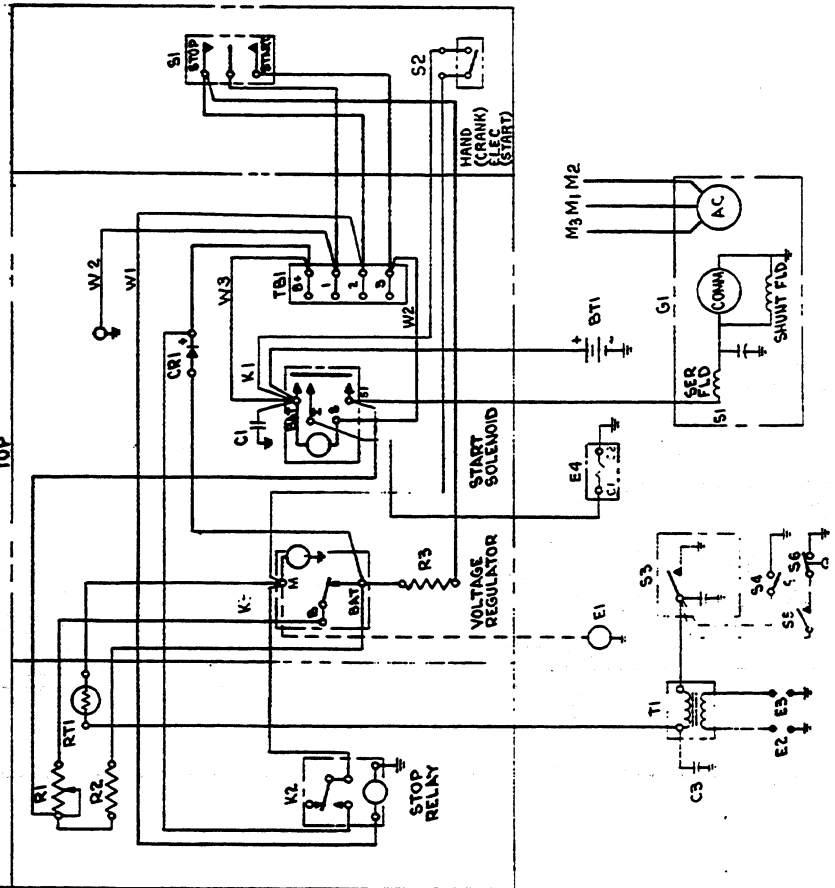


MIL. WIRE SPECIFICATIONS (MIL. SPEC. 1300) COMPATIBLE WITH MIL. SPEC. 1300. (CONTINUOUS OPERATION)

611C1061

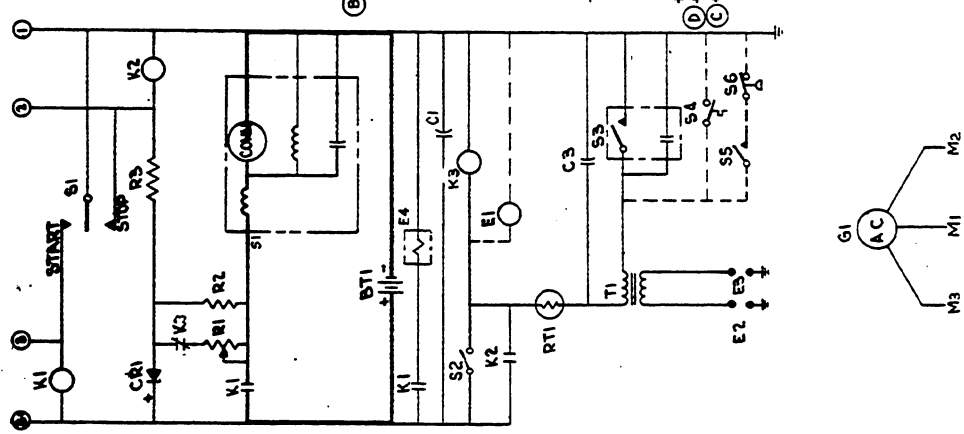
611C1067

WIRING DIAGRAM
INSIDE VIEW OF BOX
TOP



NOTE:
W2 IS GROUND AC LEAD
M1 & M3 HAVE .1 MFD CAPACITOR TO
GROUND IN GENERATOR.

SCHEMATIC



† WHEN USED

REF. DES.	PART NO.	QTY.	DESCRIPTION
C1	312A105	1	CAPACITOR ASSY
C1	309A484	1	DIODE ASSY
C1	308B250(REF)	1	DIODE-REVERSE CURRENT
C1	305A240(REF)	1	HEAT SINK
K1	307B845	1	RELAY-START SOLENOID
K2	307B237(REF)	1	RELAY-STOP
K3	305B287	1	RELAY-2 STEP VOLTAGE
R1	304A750(REF)	1	RESISTOR-ADJ. 1 OHM .50 W
R2	304B250(REF)	1	RESISTOR-FIRED 1 OHM .25 W
R3	304A400	1	RESISTOR-1.72 OHM .25 W
S1	308A284	1	SWITCH-START/STOP
S2	304A210(REF)	1	RESISTOR-30 OHM .5 W
T1	332A537	1	TERMINAL BLOCK
W1	332A584	1	WIRE-STOP
W2	308A224	1	WIRE-STOP
W3	308A195	2	WIRE-STOP
W4	308A223	1	WIRE-STOP
S2	308A300	1	SWITCH W. LEAD ASSY (-02 ONLY)
S2	308A22	1	SWITCH (HAND/ELECT START)(-02 ONLY)
301B2227	1	BRACKET-COMT. BDL MFG	
301B2228	1	CONTROL BOX	
301B2102	1	COVER	
304A117	1	SILKSCREEN	
308-1	2	SCREWET	
317-19	1	DOT BUTTON (-01 ONLY)	
PARTS LIST (ENG-REND)(REF.)			
B11	312A102	1	BATTERY-12 VOLT
C3	312A102	1	CAPACITOR 0.1 MFD
E1		1	FUEL PUMP
E2-3		2	SPARK PLUG
E4		1	CHOKE-SILICON
G1		1	GENERATOR
S3		1	BREAKER & CAP ASSEMBLY
S4		1	SWITCH-HIGH AIR TEMP.
S5		1	SWITCH-MOMENTARY
S6		1	SWITCH-LOIL OIL PRESS
T1		1	IGNITION COIL (OHM)

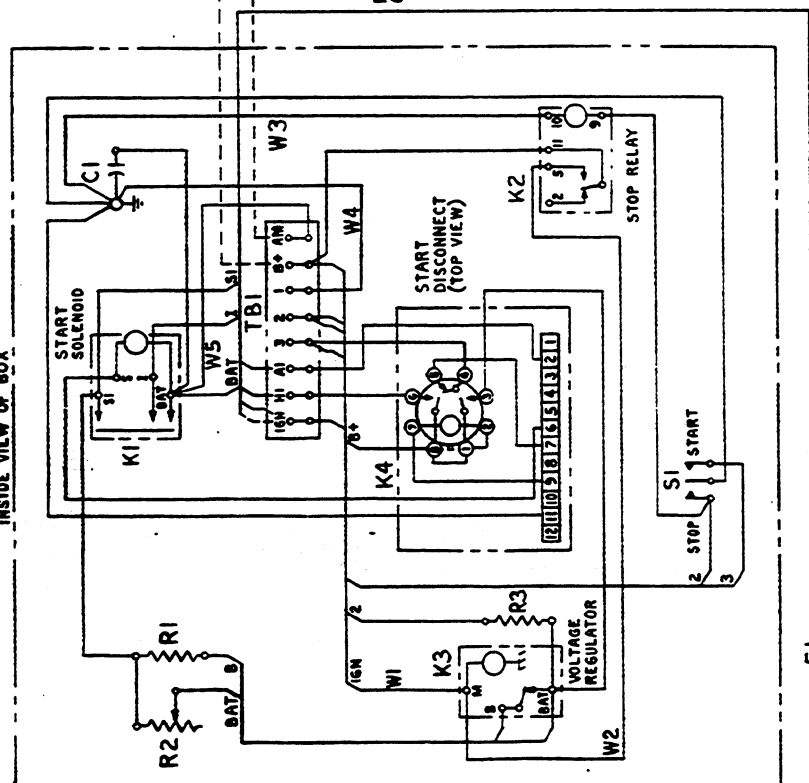
RELEASD 2 WEEKS	
DIRTY 5	
C 1/1/5 55	
B DDED 52 32 330	
A G E T E 7 A L S E V 5 1	
Origin	
7-14-70	CIP
CONTROL-GEN SET (WIRING DIAGRAM)	
611C1067	

4.0 CCK-3R/6000P	
5.0 CCK-3R/6000P	
4.0 CCK-3R/938 IN	
5.0 CCK-3R/938 IN	
120/240V, 1PH, 60CY	

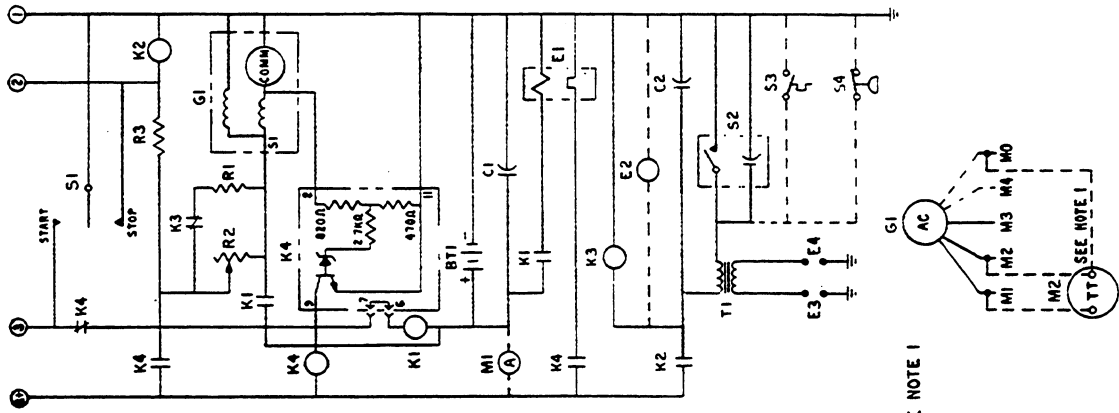
NOTE:
UNLESS OTHERWISE NOTED, ALL
COMPONENTS ARE SHOWN IN THE
DE-ENERGIZED POSITION

611C1076

WIRING DIAGRAM
INSIDE VIEW OF BOX



SCHEMATIC



QTY	QTY	PART NO	DESCRIPTION
1	317A185	317A185	CAPACITOR ASST. 1.0 MFD
1	3078A45	3078A45	RELAY-START SOLENOID
1	30781052	30781052	RELAY-STOP
1	3068183	3068183	RELAY-2 STEP VOLTAGE REGULATOR
1	3068237	3068237	RELAY ASST-START DISC
1	30781076	30781076	RELAY-START DISCONNECT
1	30781076	30781076	AMPLIFIER-START DISCONNECT
1	3044787	3044787	METER-RUNNING LINE
1	3044688	3044688	RESISTOR & LEAD ASSY
1	355A16	355A16	RESISTOR 60.50 W
1	3044689	3044689	RESISTOR & LEAD ASSY
1	3044685	3044685	RESISTOR & LEAD ASSY
1	3044251	3044251	RESISTOR 300.5 W
1	3238805	3238805	SOCKET ASSY-START DISC
1	30133002	30133002	SPRING
1	3094296	3094296	SWITCH ASSY
1	3087154	3087154	SWITCH-START STOP
1	332A208	332A208	TERMINAL BLOCK
1	332A207	332A207	MARKER STRIP
1	336A2032	336A2032	LEAD ASSY
1	336A2030	336A2030	LEAD ASSY
1	336A2031	336A2031	LEAD ASSY
1	336A1431	336A1431	LEAD ASSY
1	336A2033	336A2033	LEAD ASSY
1	33103322	33103322	CONTROL BOX
1	3018320	3018320	COVER-CONTROL BOX
1	331-88	331-88	GROUND
1	508-4	508-4	GROUND
1	98A1076	98A1076	SHIELDSCREEN RECONNECTION
1	98A2266	98A2266	SHIELDSCREEN-START STOP
1			AMMETER - CHARGE (FORM BY CUST)
1			BATTERY 1.5
1			CAPACITOR 0.1 MFD
1			CHORE-14-800 MAG
1			PUMP FUEL
1			SPARK PLUG
1			GENERATOR
1			BREAKER & CAP ASSY
1			SWITCH-HIGH AIR TEMP
1			SWITCH-LOW OIL PRESS
1			COIL-IGNITION

*RHM USED

AC SLIP RINGS

M1	M2	M3	M4
M5	M6	M7	M8

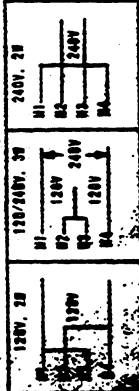
BEARING END
COMM END

VOLTAGE CODE

M1	3C 120/240V. 1PH.
M2	4 120/240V. 3PH.
M3	50 120/240V. 3PH.

*GROUND AC LEAD. ALL OTHERS HAVE 0.1 MFD CAPACITOR TO GROUND.

PLACE SHIELDSCREEN ON INSIDE OF COVER RECONNECTION FOR 3C



NOTE:
1. CONNECT RUNNING TIME METER TO LEADS M1 & M2 FOR A 3CR GEN, & TO LEADS M1 & M0 FOR A 4 OR 5D GEN

ADD'D 2. 105 CREEP DIMES	92101919
ADD'D 3. 105 CREEP DIMES	92101919
ADD'D 4. 105 CREEP DIMES	92101919
ADD'D 5. 105 CREEP DIMES	92101919
ADD'D 6. 105 CREEP DIMES	92101919
ADD'D 7. 105 CREEP DIMES	92101919
ADD'D 8. 105 CREEP DIMES	92101919
ADD'D 9. 105 CREEP DIMES	92101919
ADD'D 10. 105 CREEP DIMES	92101919
ADD'D 11. 105 CREEP DIMES	92101919
ADD'D 12. 105 CREEP DIMES	92101919
ADD'D 13. 105 CREEP DIMES	92101919
ADD'D 14. 105 CREEP DIMES	92101919
ADD'D 15. 105 CREEP DIMES	92101919
ADD'D 16. 105 CREEP DIMES	92101919
ADD'D 17. 105 CREEP DIMES	92101919
ADD'D 18. 105 CREEP DIMES	92101919
ADD'D 19. 105 CREEP DIMES	92101919
ADD'D 20. 105 CREEP DIMES	92101919
ADD'D 21. 105 CREEP DIMES	92101919
ADD'D 22. 105 CREEP DIMES	92101919
ADD'D 23. 105 CREEP DIMES	92101919
ADD'D 24. 105 CREEP DIMES	92101919
ADD'D 25. 105 CREEP DIMES	92101919
ADD'D 26. 105 CREEP DIMES	92101919
ADD'D 27. 105 CREEP DIMES	92101919
ADD'D 28. 105 CREEP DIMES	92101919
ADD'D 29. 105 CREEP DIMES	92101919
ADD'D 30. 105 CREEP DIMES	92101919
ADD'D 31. 105 CREEP DIMES	92101919
ADD'D 32. 105 CREEP DIMES	92101919
ADD'D 33. 105 CREEP DIMES	92101919
ADD'D 34. 105 CREEP DIMES	92101919
ADD'D 35. 105 CREEP DIMES	92101919
ADD'D 36. 105 CREEP DIMES	92101919
ADD'D 37. 105 CREEP DIMES	92101919
ADD'D 38. 105 CREEP DIMES	92101919
ADD'D 39. 105 CREEP DIMES	92101919
ADD'D 40. 105 CREEP DIMES	92101919
ADD'D 41. 105 CREEP DIMES	92101919
ADD'D 42. 105 CREEP DIMES	92101919
ADD'D 43. 105 CREEP DIMES	92101919
ADD'D 44. 105 CREEP DIMES	92101919
ADD'D 45. 105 CREEP DIMES	92101919
ADD'D 46. 105 CREEP DIMES	92101919
ADD'D 47. 105 CREEP DIMES	92101919
ADD'D 48. 105 CREEP DIMES	92101919
ADD'D 49. 105 CREEP DIMES	92101919
ADD'D 50. 105 CREEP DIMES	92101919
ADD'D 51. 105 CREEP DIMES	92101919
ADD'D 52. 105 CREEP DIMES	92101919
ADD'D 53. 105 CREEP DIMES	92101919
ADD'D 54. 105 CREEP DIMES	92101919
ADD'D 55. 105 CREEP DIMES	92101919
ADD'D 56. 105 CREEP DIMES	92101919
ADD'D 57. 105 CREEP DIMES	92101919
ADD'D 58. 105 CREEP DIMES	92101919
ADD'D 59. 105 CREEP DIMES	92101919
ADD'D 60. 105 CREEP DIMES	92101919
ADD'D 61. 105 CREEP DIMES	92101919
ADD'D 62. 105 CREEP DIMES	92101919
ADD'D 63. 105 CREEP DIMES	92101919
ADD'D 64. 105 CREEP DIMES	92101919
ADD'D 65. 105 CREEP DIMES	92101919
ADD'D 66. 105 CREEP DIMES	92101919
ADD'D 67. 105 CREEP DIMES	92101919
ADD'D 68. 105 CREEP DIMES	92101919
ADD'D 69. 105 CREEP DIMES	92101919
ADD'D 70. 105 CREEP DIMES	92101919
ADD'D 71. 105 CREEP DIMES	92101919
ADD'D 72. 105 CREEP DIMES	92101919
ADD'D 73. 105 CREEP DIMES	92101919
ADD'D 74. 105 CREEP DIMES	92101919
ADD'D 75. 105 CREEP DIMES	92101919
ADD'D 76. 105 CREEP DIMES	92101919
ADD'D 77. 105 CREEP DIMES	92101919
ADD'D 78. 105 CREEP DIMES	92101919
ADD'D 79. 105 CREEP DIMES	92101919
ADD'D 80. 105 CREEP DIMES	92101919
ADD'D 81. 105 CREEP DIMES	92101919
ADD'D 82. 105 CREEP DIMES	92101919
ADD'D 83. 105 CREEP DIMES	92101919
ADD'D 84. 105 CREEP DIMES	92101919
ADD'D 85. 105 CREEP DIMES	92101919
ADD'D 86. 105 CREEP DIMES	92101919
ADD'D 87. 105 CREEP DIMES	92101919
ADD'D 88. 105 CREEP DIMES	92101919
ADD'D 89. 105 CREEP DIMES	92101919
ADD'D 90. 105 CREEP DIMES	92101919
ADD'D 91. 105 CREEP DIMES	92101919
ADD'D 92. 105 CREEP DIMES	92101919
ADD'D 93. 105 CREEP DIMES	92101919
ADD'D 94. 105 CREEP DIMES	92101919
ADD'D 95. 105 CREEP DIMES	92101919
ADD'D 96. 105 CREEP DIMES	92101919
ADD'D 97. 105 CREEP DIMES	92101919
ADD'D 98. 105 CREEP DIMES	92101919
ADD'D 99. 105 CREEP DIMES	92101919
ADD'D 100. 105 CREEP DIMES	92101919

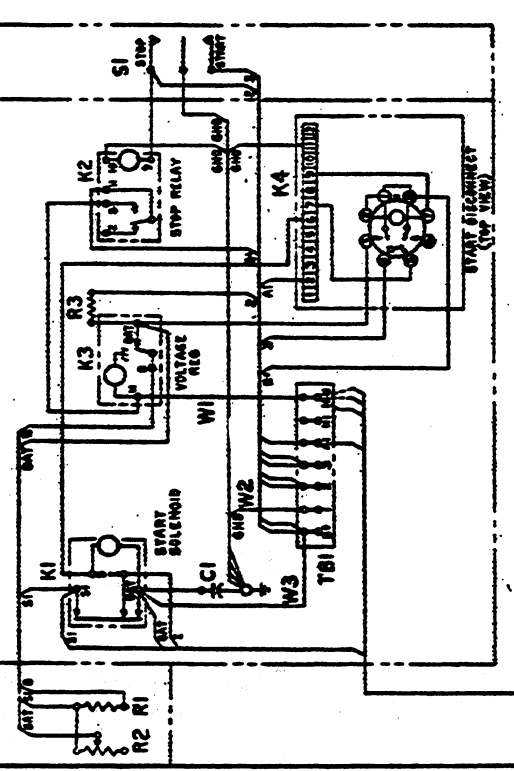
01 NH-***/10250A
12V REMOTE
HUNTSVILLE

611C1076

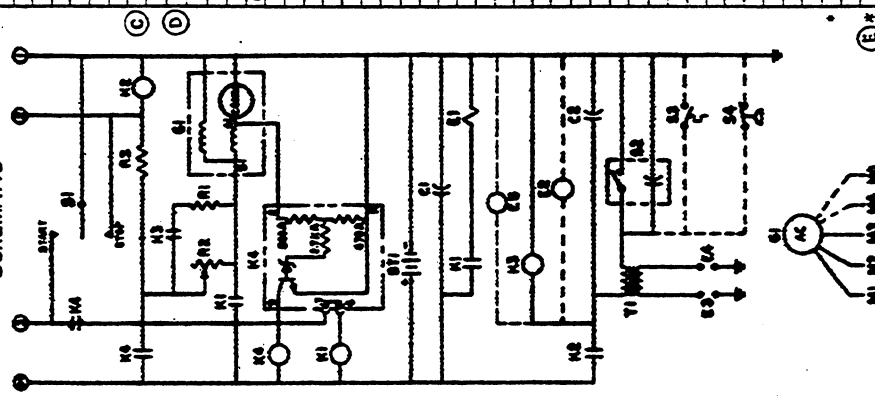
CONTROL - GEN SET
(WIRING DIAGRAM)

61C1079

WIRING DIAGRAM
INSIDE VIEW OF BOX



SCHEMATIC

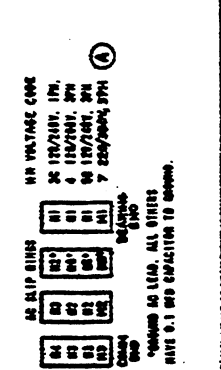


PARIS LIST

REF. DES.	PART NO.	QTY.	DESCRIPTION
C1	312A105	1	CAPACITOR, ASSY
K1	312A07(REF)	1	CAPACITOR, 1.0 MFD
K2	307B045	1	RELAY-START SOLENOID
K3	307A145	1	RELAY & LEAD ASSY
K4	307B105(REF)	1	RELAY-STOP
K5	309B095	1	RELAY-2 STOP VOLTAGE REGULATOR
K6	306B745	1	RELAY ASSY-START DISC
K7	300A734(REF)	1	AMPLIFIER-START DISCONNECT
K8	323B18(REF)	1	SOCKET ASSY-START DISC
K9	307B107(REF)	1	RELAY-START DISCONNECT
R1	301A306(REF)	1	SPRING
R2	301B340(REF)	1	RESISTOR & BOX ASSY
R3	353A0(REF)	1	RESISTOR, 60, 50 W
R4	304A032(REF)	1	RESISTOR, 50L, 100 W ADJ
R5	304A695	1	RESISTOR & LEAD ASSY
R6	304A751(REF)	1	RESISTOR, 300, 5 W
R7	308A313	1	SWITCH ASSY-START, STOP
R8	308A154(REF)	1	SWITCH-START, STOP
T1	322A745	1	BLOCK-TERMINAL
W1	332A1412	1	STRIP-MARKER
W2	336A1431	1	LEAD ASSY 8"
W3	336A2032	1	LEAD ASSY 3"
W4	336A2033	1	LEAD ASSY 6"
BT1	301C3404	1	CONTROL BOX
E1	301B3405	1	COVER-CONTROL BOX
E2	331-08	2	GROUND
E3	308-4	1	GROUND
E4	98A1876	1	SILKSCREEN-RECONNECTION
E5	98A2322	1	SILKSCREEN-START, STOP
G1			
S1			
S2			
S3			
S4			
T1			

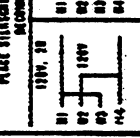
*WHEN USED

REF. DES.	PART NO.	QTY.	DESCRIPTION
E1	301C3404	1	CONTROL BOX
E2	301B3405	1	COVER-CONTROL BOX
E3	331-08	2	GROUND
E4	308-4	1	GROUND
E5	98A1876	1	SILKSCREEN-RECONNECTION
E6	98A2322	1	SILKSCREEN-START, STOP
G1			
S1			
S2			
S3			
S4			
T1			



PLACE CONNECTION ON INSIDE OF COVER

WIRE GAUGE	WIRE TYPE	WIRE COLOR
18-22 AWG	18-22 AWG	RED
18-22 AWG	18-22 AWG	BLACK
18-22 AWG	18-22 AWG	WHITE
18-22 AWG	18-22 AWG	GREEN
18-22 AWG	18-22 AWG	BROWN
18-22 AWG	18-22 AWG	BLUE
18-22 AWG	18-22 AWG	PINK
18-22 AWG	18-22 AWG	GRAY
18-22 AWG	18-22 AWG	ORANGE
18-22 AWG	18-22 AWG	PURPLE
18-22 AWG	18-22 AWG	YELLOW



61C1079

3-12-71 CDR JND

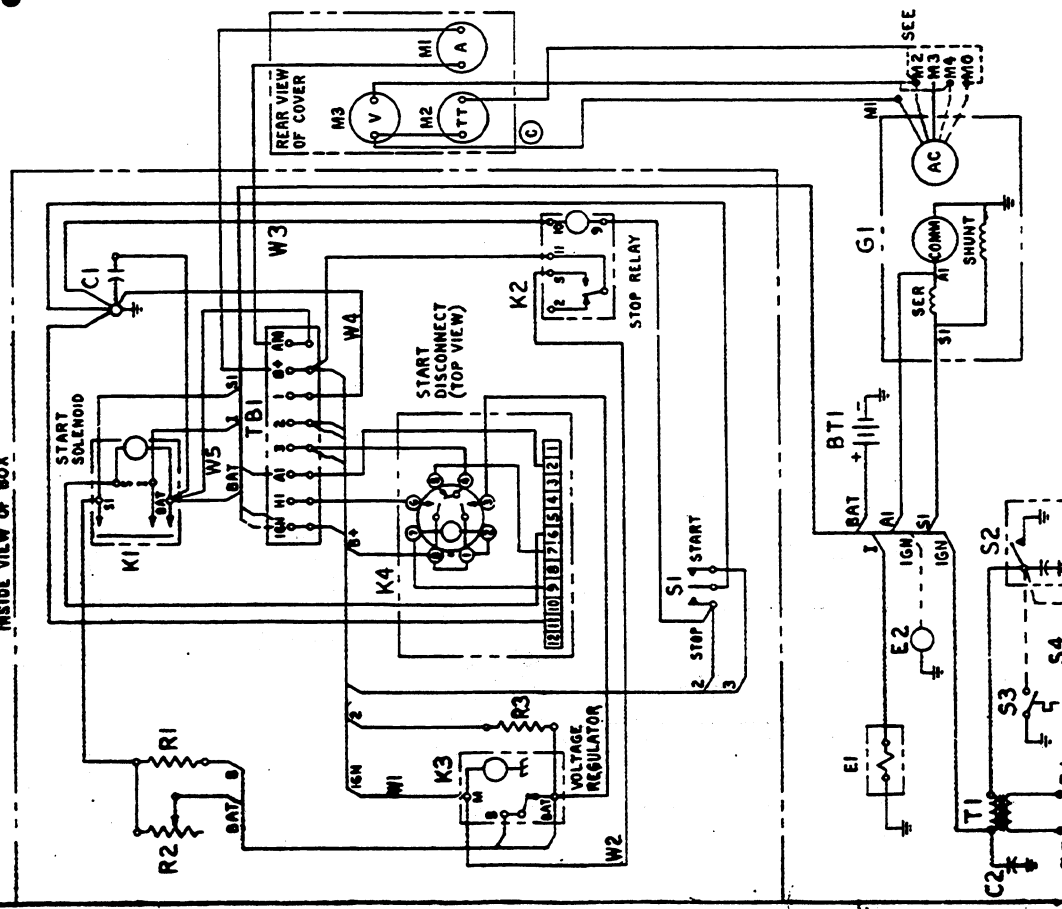
CONTROL - GEN SET (WIRING DIAGRAM)

15.5 NH-3MM/60000
-01 6.5 NH-HR/60000

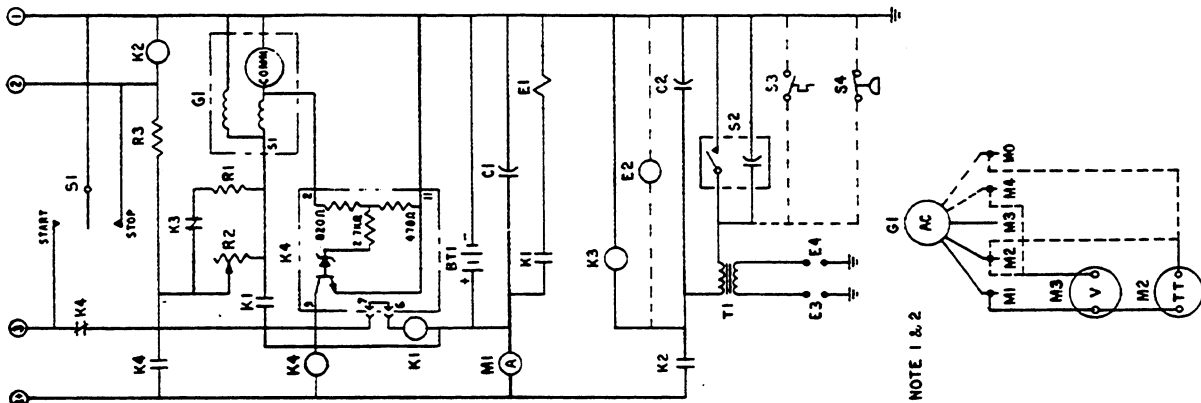
12 V REMOTE
4 W, 50-60 Hz

611C1080

WIRING DIAGRAM
INSIDE VIEW OF BOX



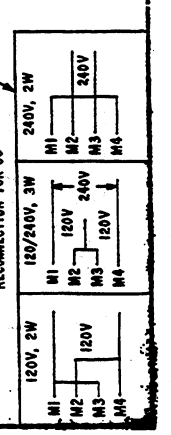
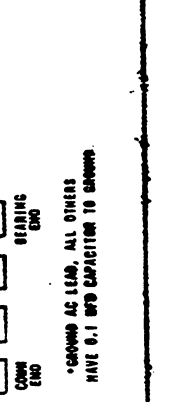
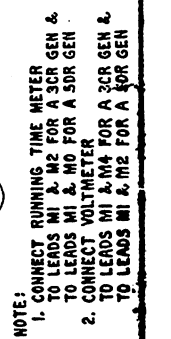
SCHEMATIC



REF. NO.	QTY	PART NO.	DESCRIPTION
C1	1	317A185	CAPACITOR ASSY, 1.0 MFD
K1	1	307B045	RELAY-START SOLENOID
K2	1	307B105Z	RELAY-STOP
K3	1	305B083	RELAY-2 STEP VOLTAGE REGULATOR
K4	1	308B232	RELAY ASSY-START DISC
M1	1	307B107C(REF)	AMPLIFIER-START DISCONNECT
M2	1	307A278	AMPLIFIER-RUNNING LINE
M3	1	304A486	RESISTOR, 50, 50 W
M4	1	304A487	RESISTOR, 100 W AD
M5	1	304A485	RESISTOR, 500, 5 W
S1	1	302A3305(REF)	SOCKET ASSY - START DISC
S2	1	302A3306(REF)	SPRING
S3	1	302A288	SWITCH ASSY
S4	1	332A108	SWITCH-START STOP
T1	1	332A107	TERMINAL BLOCK
W1	1	332A107	MARBLE STRIP
W2	1	332A2032	LEAD ASSY
W3	1	308A2032	LEAD ASSY
W4	1	308A2030	LEAD ASSY
W5	1	318A2031	LEAD ASSY
W6	1	318A2031	LEAD ASSY
W7	1	318A2033	LEAD ASSY
M1	1	301D3372	CONTROL BOX
M2	1	301D3316	COVER-CONTROL BOX
M3	1	331-88	GROMMET
M4	1	308-4	GROMMET
M5	1	9A1A016	SILKSCREEN RECONNECTION
M6	1	9A1A266	SILKSCREEN-STEEL STOP
M7	1	302A559	SWITCH-CHANGE 10-0-10
M8	1	302A561	VOLTMETER-AC, 0-300V
M9	1	302A561	VOLTMETER-AC, 0-300V
M10	1	302A561	VOLTMETER-AC, 0-300V
M11	1	302A561	VOLTMETER-AC, 0-300V
M12	1	302A561	VOLTMETER-AC, 0-300V
M13	1	302A561	VOLTMETER-AC, 0-300V
M14	1	302A561	VOLTMETER-AC, 0-300V
M15	1	302A561	VOLTMETER-AC, 0-300V
M16	1	302A561	VOLTMETER-AC, 0-300V
M17	1	302A561	VOLTMETER-AC, 0-300V
M18	1	302A561	VOLTMETER-AC, 0-300V
M19	1	302A561	VOLTMETER-AC, 0-300V
M20	1	302A561	VOLTMETER-AC, 0-300V
M21	1	302A561	VOLTMETER-AC, 0-300V
M22	1	302A561	VOLTMETER-AC, 0-300V
M23	1	302A561	VOLTMETER-AC, 0-300V
M24	1	302A561	VOLTMETER-AC, 0-300V
M25	1	302A561	VOLTMETER-AC, 0-300V
M26	1	302A561	VOLTMETER-AC, 0-300V
M27	1	302A561	VOLTMETER-AC, 0-300V
M28	1	302A561	VOLTMETER-AC, 0-300V
M29	1	302A561	VOLTMETER-AC, 0-300V
M30	1	302A561	VOLTMETER-AC, 0-300V
M31	1	302A561	VOLTMETER-AC, 0-300V
M32	1	302A561	VOLTMETER-AC, 0-300V
M33	1	302A561	VOLTMETER-AC, 0-300V
M34	1	302A561	VOLTMETER-AC, 0-300V
M35	1	302A561	VOLTMETER-AC, 0-300V
M36	1	302A561	VOLTMETER-AC, 0-300V
M37	1	302A561	VOLTMETER-AC, 0-300V
M38	1	302A561	VOLTMETER-AC, 0-300V
M39	1	302A561	VOLTMETER-AC, 0-300V
M40	1	302A561	VOLTMETER-AC, 0-300V
M41	1	302A561	VOLTMETER-AC, 0-300V
M42	1	302A561	VOLTMETER-AC, 0-300V
M43	1	302A561	VOLTMETER-AC, 0-300V
M44	1	302A561	VOLTMETER-AC, 0-300V
M45	1	302A561	VOLTMETER-AC, 0-300V
M46	1	302A561	VOLTMETER-AC, 0-300V
M47	1	302A561	VOLTMETER-AC, 0-300V
M48	1	302A561	VOLTMETER-AC, 0-300V
M49	1	302A561	VOLTMETER-AC, 0-300V
M50	1	302A561	VOLTMETER-AC, 0-300V
M51	1	302A561	VOLTMETER-AC, 0-300V
M52	1	302A561	VOLTMETER-AC, 0-300V
M53	1	302A561	VOLTMETER-AC, 0-300V
M54	1	302A561	VOLTMETER-AC, 0-300V
M55	1	302A561	VOLTMETER-AC, 0-300V
M56	1	302A561	VOLTMETER-AC, 0-300V
M57	1	302A561	VOLTMETER-AC, 0-300V
M58	1	302A561	VOLTMETER-AC, 0-300V
M59	1	302A561	VOLTMETER-AC, 0-300V
M60	1	302A561	VOLTMETER-AC, 0-300V
M61	1	302A561	VOLTMETER-AC, 0-300V
M62	1	302A561	VOLTMETER-AC, 0-300V
M63	1	302A561	VOLTMETER-AC, 0-300V
M64	1	302A561	VOLTMETER-AC, 0-300V
M65	1	302A561	VOLTMETER-AC, 0-300V
M66	1	302A561	VOLTMETER-AC, 0-300V
M67	1	302A561	VOLTMETER-AC, 0-300V
M68	1	302A561	VOLTMETER-AC, 0-300V
M69	1	302A561	VOLTMETER-AC, 0-300V
M70	1	302A561	VOLTMETER-AC, 0-300V
M71	1	302A561	VOLTMETER-AC, 0-300V
M72	1	302A561	VOLTMETER-AC, 0-300V
M73	1	302A561	VOLTMETER-AC, 0-300V
M74	1	302A561	VOLTMETER-AC, 0-300V
M75	1	302A561	VOLTMETER-AC, 0-300V
M76	1	302A561	VOLTMETER-AC, 0-300V
M77	1	302A561	VOLTMETER-AC, 0-300V
M78	1	302A561	VOLTMETER-AC, 0-300V
M79	1	302A561	VOLTMETER-AC, 0-300V
M80	1	302A561	VOLTMETER-AC, 0-300V
M81	1	302A561	VOLTMETER-AC, 0-300V
M82	1	302A561	VOLTMETER-AC, 0-300V
M83	1	302A561	VOLTMETER-AC, 0-300V
M84	1	302A561	VOLTMETER-AC, 0-300V
M85	1	302A561	VOLTMETER-AC, 0-300V
M86	1	302A561	VOLTMETER-AC, 0-300V
M87	1	302A561	VOLTMETER-AC, 0-300V
M88	1	302A561	VOLTMETER-AC, 0-300V
M89	1	302A561	VOLTMETER-AC, 0-300V
M90	1	302A561	VOLTMETER-AC, 0-300V
M91	1	302A561	VOLTMETER-AC, 0-300V
M92	1	302A561	VOLTMETER-AC, 0-300V
M93	1	302A561	VOLTMETER-AC, 0-300V
M94	1	302A561	VOLTMETER-AC, 0-300V
M95	1	302A561	VOLTMETER-AC, 0-300V
M96	1	302A561	VOLTMETER-AC, 0-300V
M97	1	302A561	VOLTMETER-AC, 0-300V
M98	1	302A561	VOLTMETER-AC, 0-300V
M99	1	302A561	VOLTMETER-AC, 0-300V
M100	1	302A561	VOLTMETER-AC, 0-300V

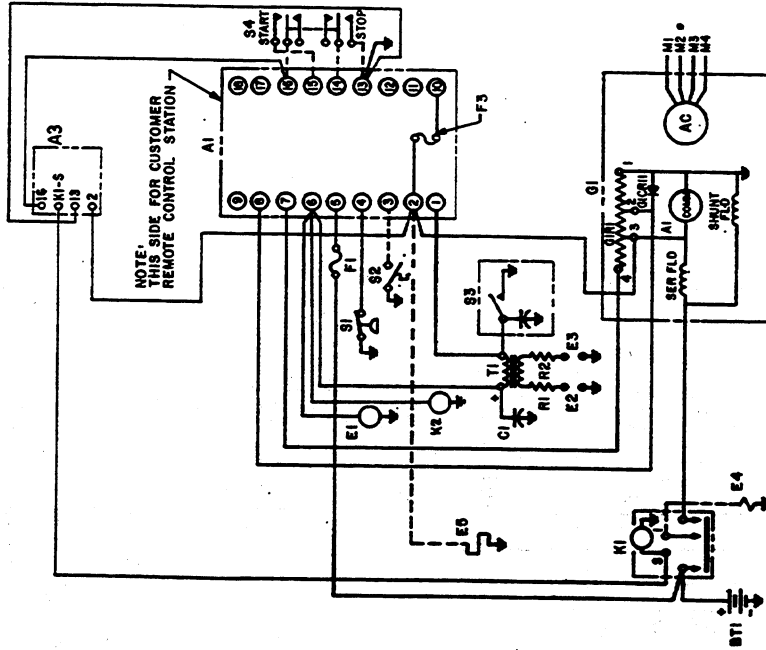
1	1	302A561	VOLTMETER-AC, 0-300V
2	1	302A561	VOLTMETER-AC, 0-300V
3	1	302A561	VOLTMETER-AC, 0-300V
4	1	302A561	VOLTMETER-AC, 0-300V
5	1	302A561	VOLTMETER-AC, 0-300V
6	1	302A561	VOLTMETER-AC, 0-300V
7	1	302A561	VOLTMETER-AC, 0-300V
8	1	302A561	VOLTMETER-AC, 0-300V
9	1	302A561	VOLTMETER-AC, 0-300V
10	1	302A561	VOLTMETER-AC, 0-300V
11	1	302A561	VOLTMETER-AC, 0-300V
12	1	302A561	VOLTMETER-AC, 0-300V
13	1	302A561	VOLTMETER-AC, 0-300V
14	1	302A561	VOLTMETER-AC, 0-300V
15	1	302A561	VOLTMETER-AC, 0-300V
16	1	302A561	VOLTMETER-AC, 0-300V
17	1	302A561	VOLTMETER-AC, 0-300V
18	1	302A561	VOLTMETER-AC, 0-300V
19	1	302A561	VOLTMETER-AC, 0-300V
20	1	302A561	VOLTMETER-AC, 0-300V
21	1	302A561	VOLTMETER-AC, 0-300V
22	1	302A561	VOLTMETER-AC, 0-300V
23	1	302A561	VOLTMETER-AC, 0-300V
24	1	302A561	VOLTMETER-AC, 0-300V
25	1	302A561	VOLTMETER-AC, 0-300V
26	1	302A561	VOLTMETER-AC, 0-300V
27	1	302A561	VOLTMETER-AC, 0-300V
28	1	302A561	VOLTMETER-AC, 0-300V
29	1	302A561	VOLTMETER-AC, 0-300V
30	1	302A561	VOLTMETER-AC, 0-300V
31	1	302A561	VOLTMETER-AC, 0-300V
32	1	302A561	VOLTMETER-AC, 0-300V
33	1	302A561	VOLTMETER-AC, 0-300V
34	1	302A561	VOLTMETER-AC, 0-300V
35	1	302A561	VOLTMETER-AC, 0-300V
36	1	302A561	VOLTMETER-AC, 0-300V
37	1	302A561	VOLTMETER-AC, 0-300V
38	1	302A561	VOLTMETER-AC, 0-300V
39	1	302A561	VOLTMETER-AC, 0-300V
40	1	302A561	VOLTMETER-AC, 0-300V
41	1	302A561	VOLTMETER-AC, 0-300V
42	1	302A561	VOLTMETER-AC, 0-300V
43	1	302A561	VOLTMETER-AC, 0-300V
44	1	302A561	VOLTMETER-AC, 0-300V
45	1	302A561	VOLTMETER-AC, 0-300V
46	1	302A561	VOLTMETER-AC, 0-300V
47	1	302A561	VOLTMETER-AC, 0-300V
48	1	302A561	VOLTMETER-AC, 0-300V
49	1	302A561	VOLTMETER-AC, 0-300V
50	1	302A561	VOLTMETER-AC, 0-300V

NOTE: 1. CONNECT RUNNING TIME METER TO LEADS M1 & M2 FOR A SCR GEN & TO LEADS M1 & M0 FOR A SCR GEN. 2. CONNECT VOLTMETER TO LEADS M1 & M4 FOR A SCR GEN & TO LEADS M1 & M2 FOR A SCR GEN.

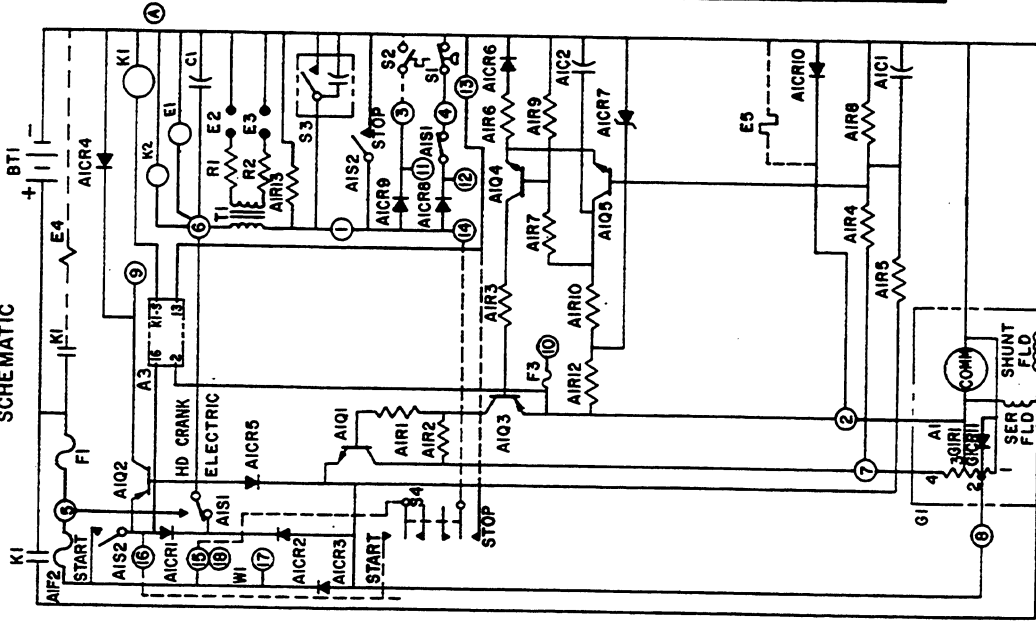


61C1086

WIRING DIAGRAM



SCHEMATIC



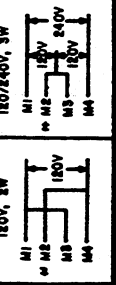
REL. DEL.	PART NO.	QTY.	PARTS LIST	DESCRIPTION
	SEE TAB			CONTROL ASSY
A1	300D52(REF)	1		CONTROL-GEN SET ASSY
A2	300D83(REF)	1		CONTROL-START ADAPTER (4 TO 3 WIRE)
S4	SEE TAB			SWITCH-START STOP (CUSTOMER REMOTE)
B1	SEE TAB			WIRING HARNESS
F3	821A30	1		HOLDER ASSY - FUSE
	821P04 (GAP)			FUSE
A3	300B227(REF)	1		CONTROL-DISC ADPTR
PARTS LIST ENG GEN (REF)				
BT1				BATTERY-12 VDC
C1				CAPACITOR-0.1 MFD
E1				PUMP-FUEL (WHEN USED)
E2, E3				SPARK PLUG
E4				CHOKE-SISSON (WHEN USED)
E5				CHOKE-ORAN (WHEN USED)
G1				GENERATOR
S1, S2	317-17			RELAY-START-SOLENOID
S3	318-27			RELAY-START-SOLENOID
S4	317189			RELAY-START-SOLENOID
F1	317189			RELAY-START-SOLENOID
F2	317189			RELAY-START-SOLENOID
F3	317189			RELAY-START-SOLENOID
A1	100D83			SOLENOID - VALVE
A2	100D83			SOLENOID - VALVE
A3	100D83			SOLENOID - VALVE
A4	100D83			SOLENOID - VALVE
A5	30C-10			RESISTOR-INTERCO T-781, 78V
F1				SWITCH-LOW OIL PRESS
F2				SWITCH-HIGH AIR TEMP (WHEN USED)
F3				BREAKER & CAP ASST
F4				SWITCH-REMOTE START STOP
T1				COIL-IGNITION

9001019

DASH NO	CHOKE	MODEL	WIRING HARNESS [CONTROL ASSY]
-01	SISSON CHOKE	CCK, NH	338D840
-02	ORAN CHOKE	CCK	338D891
-03	NO CHOKE	GAS CARB CCK, NH	338D0774
-04	NO CHOKE	HATKO GAS CCK, NH	338D0775
-05	SISSON CHOKE	HATKO CCK, NH	338D0778

6.5 NH - NRR/12000D	1 PH	50 Hz
4.8 CCK - NRR/12000R	1 PH	50 Hz
120/240V, 4W, 60 Hz		

RECONNECTION CHART



AC SLIP RINGS
 M1 M2 M3 M4
 M1 M2 M3 M4
 M1 M2 M3 M4
 M1 M2 M3 M4
 M1 M2 M3 M4
 COMM END
 BEARING END

MM VOLTAGE CODE	MM	MM	MM	MM
3C 120/240V, 1PH	M1	M2	M3	M4
4 120/208V, 3PH	M1	M2	M3	M4
50 120/240V, 3PH	M1	M2	M3	M4
7 280/380V, 3PH	M1	M2	M3	M4
4H 277/416V, 3PH	M1	M2	M3	M4
7X 240/416V, 3PH	M1	M2	M3	M4

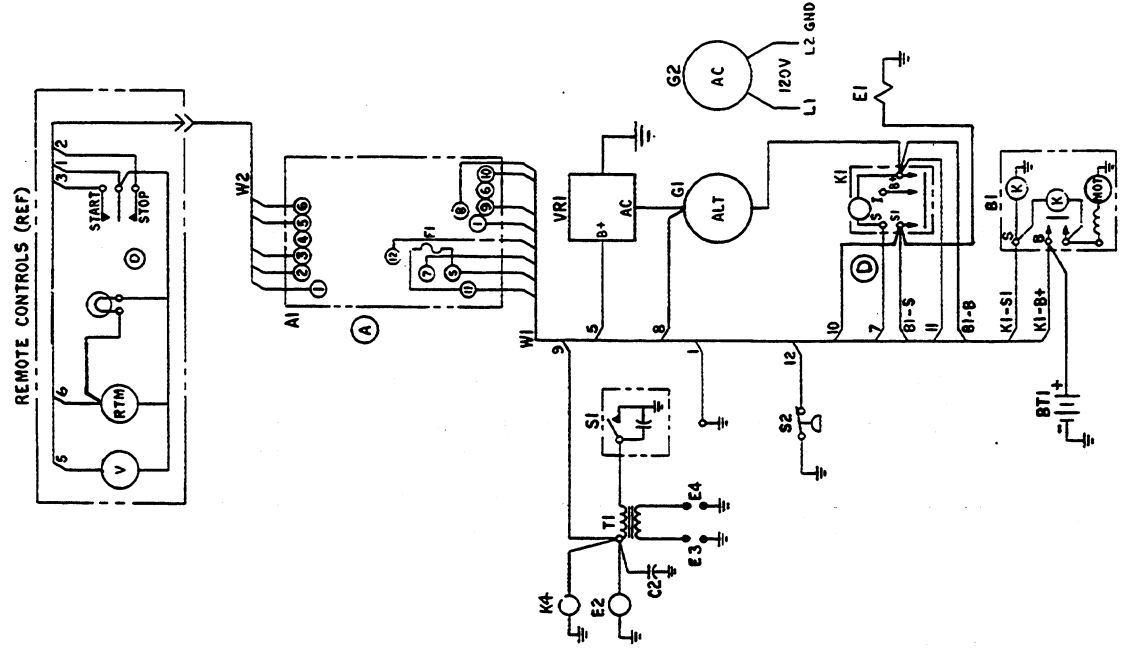
* GROUND AC LEAD

61C1086

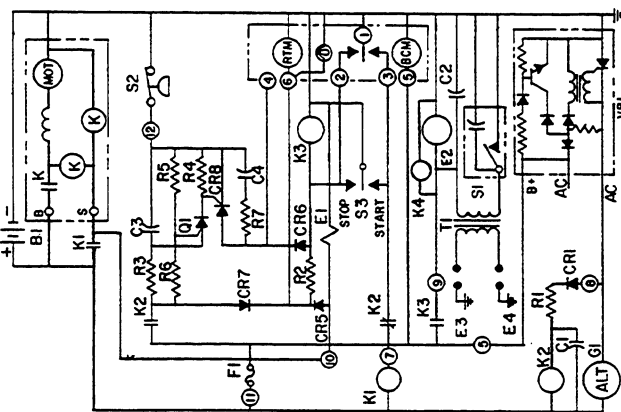
OMEGA
 2-12-75
 CONTROL - GEN SET
 WIRING DIAGRAM
 61C1086

611C1094

WIRING DIAGRAM



SCHEMATIC



NOTE: 1. MIN START DISCONNECTS 675 RPM.

REF. DES.	PART NO.	QTY.	DESCRIPTION
A1	300CBH5	1	CONTROL ASSY-GEN SET
B1		1	CONTROL-HOT HOME
BT1		1	STARTER-SOLENOID SHIFT
C2		1	BATTERY-12 VOLT
E1		1	CAPACITOR
E2		1	CHOKE
E3,4		2	FUEL PUMP
G1		1	SPARK PLUG
G2		1	ALTERNATOR
K1		1	GENERATOR
K2		1	SOLENOID-START
K3		1	BREAKER & CIP ASSY
K4		1	SWITCH-LOW OIL PRESS
S1		1	SOLENOID - FUEL
S2		1	SOLENOID - FUEL
S3		1	VOLTAGE REGULATOR
V1		1	WIRING HARNESS-GEN SET
V2		1	WIRING HARNESS-REMOTE

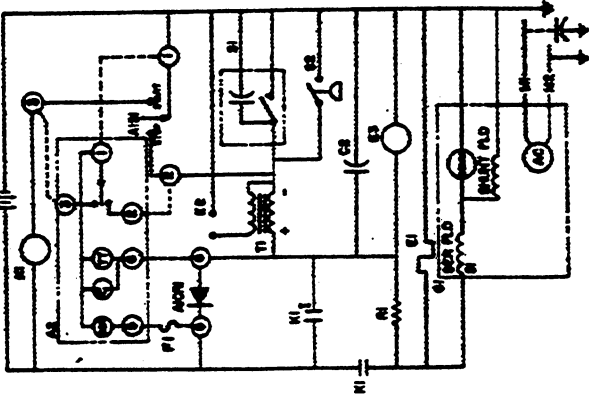
REV.	DESCRIPTION	DATE	BY	CHKD.
1	ISSUED	7-7-72	CDR	HBM
2	REVISION			
3	REVISION			
4	REVISION			
5	REVISION			
6	REVISION			
7	REVISION			
8	REVISION			
9	REVISION			
10	REVISION			
11	REVISION			
12	REVISION			
13	REVISION			
14	REVISION			
15	REVISION			
16	REVISION			
17	REVISION			
18	REVISION			
19	REVISION			
20	REVISION			
21	REVISION			
22	REVISION			
23	REVISION			
24	REVISION			
25	REVISION			
26	REVISION			
27	REVISION			
28	REVISION			
29	REVISION			
30	REVISION			
31	REVISION			
32	REVISION			
33	REVISION			
34	REVISION			
35	REVISION			
36	REVISION			
37	REVISION			
38	REVISION			
39	REVISION			
40	REVISION			
41	REVISION			
42	REVISION			
43	REVISION			
44	REVISION			
45	REVISION			
46	REVISION			
47	REVISION			
48	REVISION			
49	REVISION			
50	REVISION			
51	REVISION			
52	REVISION			
53	REVISION			
54	REVISION			
55	REVISION			
56	REVISION			
57	REVISION			
58	REVISION			
59	REVISION			
60	REVISION			
61	REVISION			
62	REVISION			
63	REVISION			
64	REVISION			
65	REVISION			
66	REVISION			
67	REVISION			
68	REVISION			
69	REVISION			
70	REVISION			
71	REVISION			
72	REVISION			
73	REVISION			
74	REVISION			
75	REVISION			
76	REVISION			
77	REVISION			
78	REVISION			
79	REVISION			
80	REVISION			
81	REVISION			
82	REVISION			
83	REVISION			
84	REVISION			
85	REVISION			
86	REVISION			
87	REVISION			
88	REVISION			
89	REVISION			
90	REVISION			
91	REVISION			
92	REVISION			
93	REVISION			
94	REVISION			
95	REVISION			
96	REVISION			
97	REVISION			
98	REVISION			
99	REVISION			
100	REVISION			

4.0BF-1R/9000
6.0BH-1R/9000
120V, 1 PH, 3W, 60 Hz

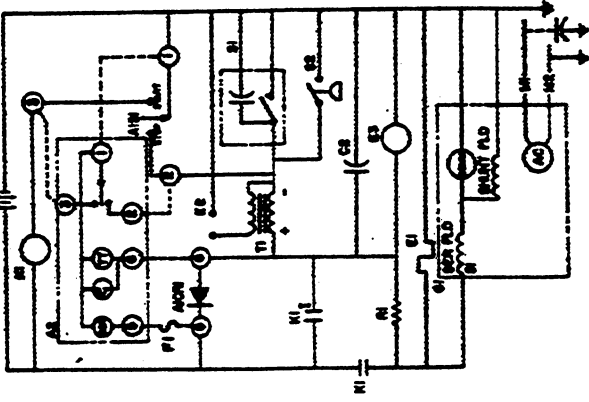
611C1094

611-1106 C

WIRING DIAGRAM



SCHEMATIC



PARTS LIST

REF DES.	PART NO.	QTY.	DESCRIPTION
A1	30001035	1	CONTROL ASSY-GEN SET
A1CR1	357-0022	1	DIODE ASSY (REF)
A1S1	308-0345	1	SWITCH-TOGGLE (REF)
A2	300-0986	1	REMOTE CONTROL (REF)
B1		1	BATTERY-12V
C2		1	CAPACITOR
E1		1	CHOKES-ONAN
E2		1	SPARK PLUG
E3	307A1303	1	SOLENOID-FUEL (REF)
G1		1	GENERATOR
K1		1	SOLENOID-START
R1	353B0050	1	RESISTOR ASSY (REF) 10 ± 5% OHMS 45W
S1		1	BREAKER & CAP ASSY
S2	309P0237	1	SWITCH-LOW OIL PRESS (REF)
T1		1	COIL-IGNITION
F1	SEE NOTE 1	1	

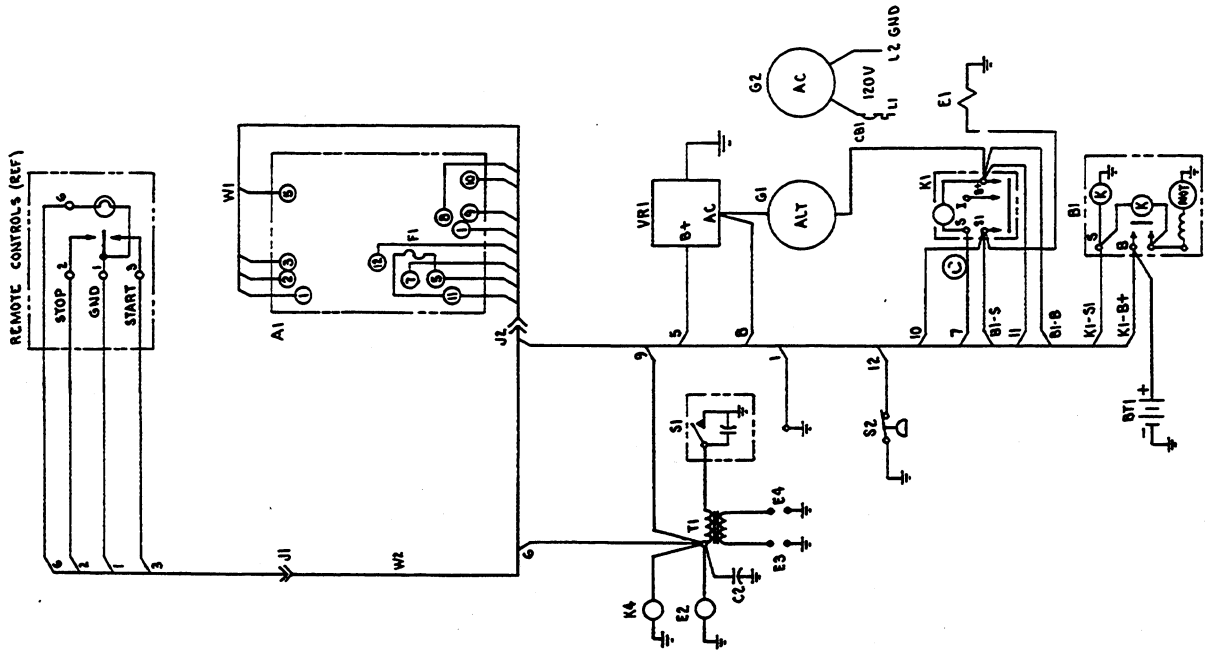
NOTE:
1. FUSE (5 AMP) TO BE SUPPLIED BY CUSTOMER TO PROTECT AGAINST ACCIDENTAL GROUNDING

CAPACITOR MOUNTED IN A1

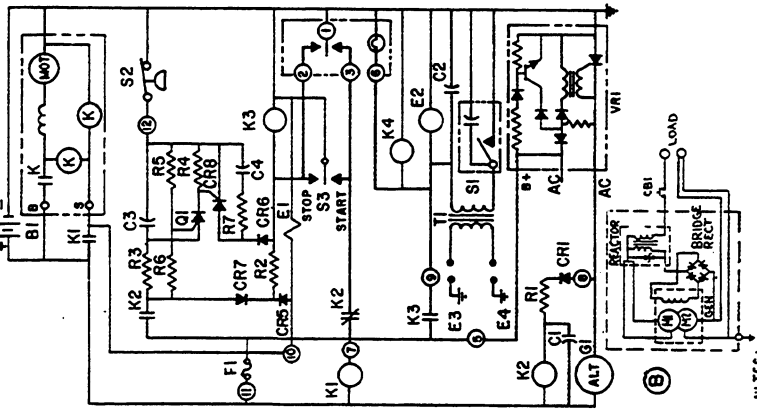
REV	DATE	BY	CHKD	DESCRIPTION
1	11-11-53	CONTROL-GEN SET (WIRING DIAGRAM)
2
3
4
5
6
7
8
9
10
11
12
13
14
15
16
17
18
19
20
21
22
23
24
25
26
27
28
29
30
31
32
33
34
35
36
37
38
39
40
41
42
43
44
45
46
47
48
49
50
51
52
53
54
55
56
57
58
59
60
61
62
63
64
65
66
67
68
69
70
71
72
73
74
75
76
77
78
79
80
81
82
83
84
85
86
87
88
89
90
91
92
93
94
95
96
97
98
99
100

611-1109

WIRING DIAGRAM



SCHEMATIC



NOTES:
 1. DELUXE REMOTE CONTROL (330-CORRECTION) MAY BE USED IF AN ADDITIONAL WIRE FROM TERMINAL 5 OF J1 TO TERMINAL 5 OF DELUXE REMOTE CONTROL IS ADDED.
 2. ON 4.0 BF-1R/9500 AND 6.0 NH-1R/9500 J1 IS ELIMINATED AND THE ADDITIONAL WIRE FOR THE DELUXE REMOTE CONTROLS IS PROVIDED.
 3. MIN START DISCONNECT = G75 RPH.

REF. DES.	PART NO.	QTY	DESCRIPTION
A1	30P-1075	C	CONTROL ASST-GEN SET
B1			CONTROL-MOT HOME
BT1			STARTER-SOLENOID SHIFT
C2			BATTERY-12 VOLT
E1			CAPACITOR
E2			CHOKE
E3,4			FUEL PUMP
G1			2 SPARK PLUG
G2			ALTERNATOR
K1			GENERATOR
K4			SOLENOID-START
S1			SOLENOID-FUEL
S2			BREAKER & CAP ASSY
S3			SWITCH-LOW OIL PRESS
VRI			COIL-LIGHTING
W1			VOLTAGE REGULATOR
W2			WIRING HARNESS-GEN SET
F1			FUSING HARNESS-REMOTE
F2			CONNECTOR 12 CRT
F3			CONNECTOR 12 CRT
F4			CONNECTOR 12 CRT
VRI			CIRCUIT BREAKER (40A 4BP)
			(60A 6RH)

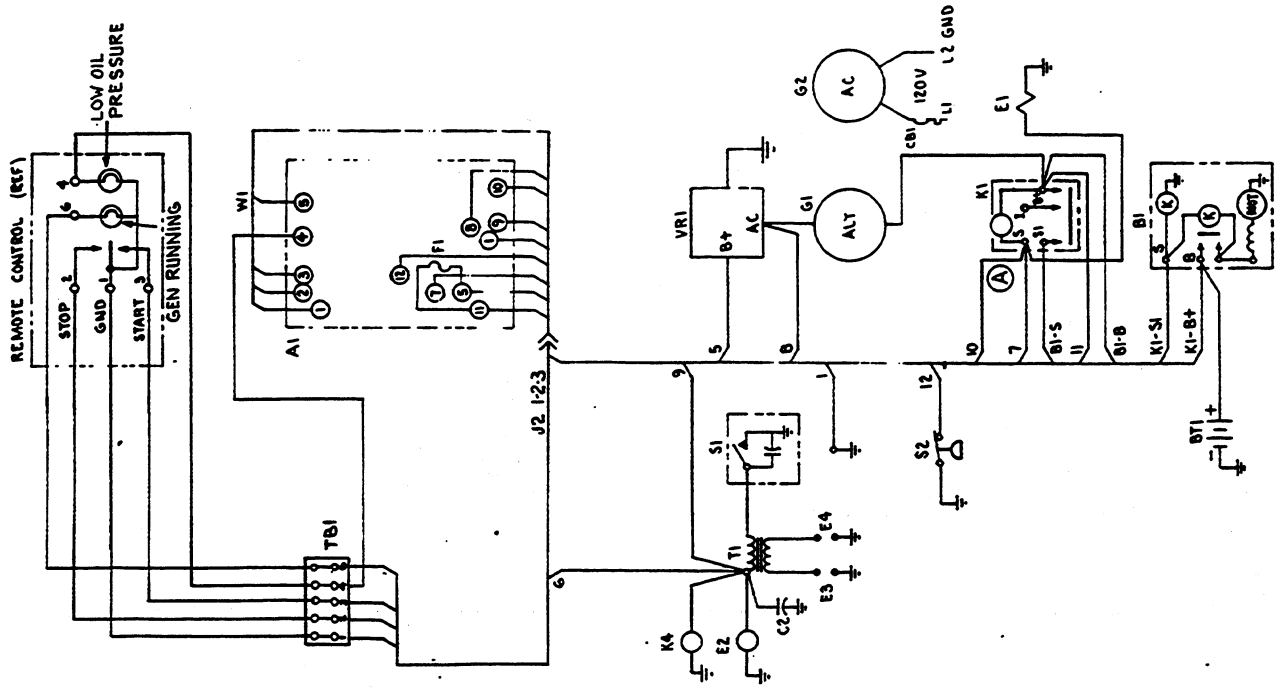
6011-1109

C1 WAS KI-1, TO KI-S1	CONTRACT NO.	611-1109
B1 ADDED AC TO SCHEMATIC	DATE	7-15-73
A1 CBI ADDED	BY	EE
REVISION	DATE	
1	7-15-73	
2	7-15-73	
3	7-15-73	
4	7-15-73	
5	7-15-73	
6	7-15-73	
7	7-15-73	
8	7-15-73	
9	7-15-73	
10	7-15-73	
11	7-15-73	
12	7-15-73	
13	7-15-73	
14	7-15-73	
15	7-15-73	
16	7-15-73	
17	7-15-73	
18	7-15-73	
19	7-15-73	
20	7-15-73	
21	7-15-73	
22	7-15-73	
23	7-15-73	
24	7-15-73	
25	7-15-73	
26	7-15-73	
27	7-15-73	
28	7-15-73	
29	7-15-73	
30	7-15-73	
31	7-15-73	
32	7-15-73	
33	7-15-73	
34	7-15-73	
35	7-15-73	
36	7-15-73	
37	7-15-73	
38	7-15-73	
39	7-15-73	
40	7-15-73	
41	7-15-73	
42	7-15-73	
43	7-15-73	
44	7-15-73	
45	7-15-73	
46	7-15-73	
47	7-15-73	
48	7-15-73	
49	7-15-73	
50	7-15-73	
51	7-15-73	
52	7-15-73	
53	7-15-73	
54	7-15-73	
55	7-15-73	
56	7-15-73	
57	7-15-73	
58	7-15-73	
59	7-15-73	
60	7-15-73	
61	7-15-73	
62	7-15-73	
63	7-15-73	
64	7-15-73	
65	7-15-73	
66	7-15-73	
67	7-15-73	
68	7-15-73	
69	7-15-73	
70	7-15-73	
71	7-15-73	
72	7-15-73	
73	7-15-73	
74	7-15-73	
75	7-15-73	
76	7-15-73	
77	7-15-73	
78	7-15-73	
79	7-15-73	
80	7-15-73	
81	7-15-73	
82	7-15-73	
83	7-15-73	
84	7-15-73	
85	7-15-73	
86	7-15-73	
87	7-15-73	
88	7-15-73	
89	7-15-73	
90	7-15-73	
91	7-15-73	
92	7-15-73	
93	7-15-73	
94	7-15-73	
95	7-15-73	
96	7-15-73	
97	7-15-73	
98	7-15-73	
99	7-15-73	
100	7-15-73	

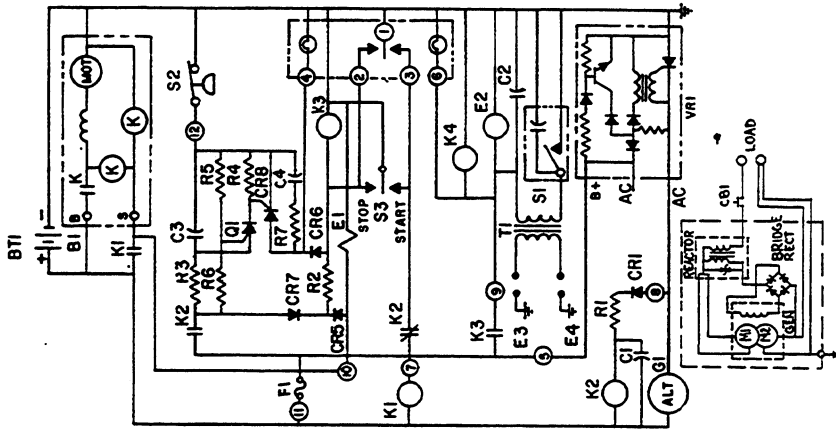
WORKING NO.	4.0 BF-1R/9500
	6.0 NH-1R/9500
	CONTROL-GEN SET
	(WIRING DIAGRAM)
REV. NO.	611-1109
	120V, 1PH, 3W, 60 HZ

611-1121

WIRING DIAGRAM



SCHEMATIC



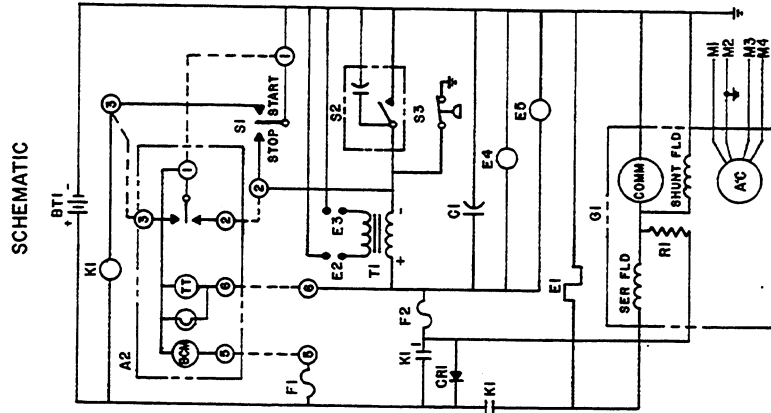
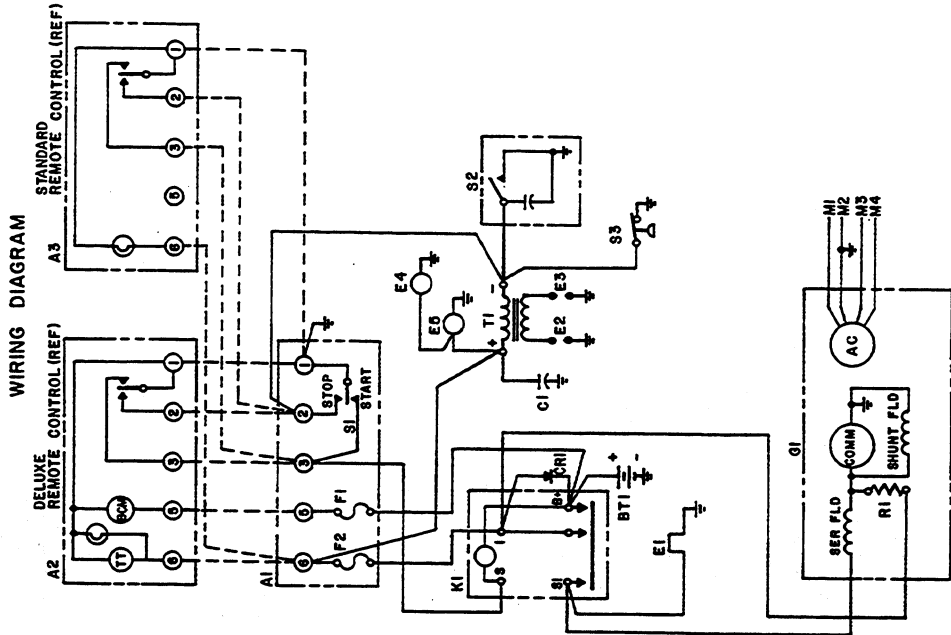
NOTE:
1. MIN START DISCONNECT = 6.75 RPM

REF. DES.	PARTY NO.	QTY	DESCRIPTION
A1	300-1075	C	CONTROL ASST-GEN SET
B1			CONTROL-NOT HOME
BT1			BATTERY-12 VOLT
G2			CAPACITOR
E1			CHOKE
E2			FUEL PUMP
E3			2 SPARK PLUG
G1			ALTERNATOR
G2			GENERATOR
K1			SOLENOID-START
K2			SOLENOID-FUEL
K3			BREAKER & GAP ASSY
K4			SWITCH-LOW OIL PRESS
S1			COIL-IGNITION
S2			VOLTAGE REGULATOR
S3			STOP SWITCH
VR1			WIRING HARNESS-GEN SET
T1			REMOTE TERMINAL BLOCK
J2			CONNECTOR 12 CKT
CBI			CIRCUIT BREAKER (40A 4BF)

611-1121

ALWAYS KI-1 TO KI-11 (CR/21/25/27)	
REVISION	DATE
1	1-2-75
Origin DIVISION OF ELECTRIC CORPORATION	
ISSUED TO	BY
4.0 BF-1R/15203C	GZ
CONTROL-GEN SET (WIRING DIAGRAM)	
120V, 1PH, 3W, 60 Hz	611-1121
HUNTSVILLE	

611-1123 C



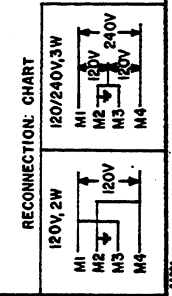
REF. DES.	PART NO.	QTY	DESCRIPTION
A1	300-1285	C	CONTROL ASSY
A2	300-0988	B	DELUXE REMOTE CONTROL (REF)
A3	300-0989	B	STANDARD REMOTE CONT (REF)
BT1		1	BATTERY 12V
CI		1	CAPACITOR
CRI	358-0072	A	DIODE ASSY (REF)
E1		1	CHOKE-ONAN
E2,3		2	SPARK PLUG
E4	307-1457	A	SOLENOID-FUEL (REF)
E5	149-1304	-	FUEL-PUMP (REF)
F1,2	321-0194	- 2	FUSE (9 AMP-32 V) (REF)
G1		1	GENERATOR
KI		1	SOLENOID-START
RI	353-0057	B	RESISTOR FIXED (REF)
S1		1	SWITCH-START-STOP
S2		1	BREAKER & CAP ASSY
S3	309-0237	P	SWITCH-LOW OIL PRESS (REF)
T1		1	COIL-IGNITION
W1	338-0958	B	WIRING HARNESS (CONN-REMOTE) (REF)
W2	338-0959	C	WIRING HARNESS (CABLE-REMOTE) (REF)
W3	338-0960	C	CONTROL (30 FEET LONG) (REF)
W4		1	WIRING HARNESS (CABLE-REMOTE CONTROL) (30 FEET LONG) (REF)

OPTION
OPTION
OPTION

611-119 C

A	COMPLETED MODEL NO	120/240V-3W
111	REVISION	01-78
	DIVISION OF STUDEBAKER CORPORATION	
	DATE	4-10-75
	BY	JLB
	FROM	CONTROL-GEN SET
	FIG. NO.	611-1123

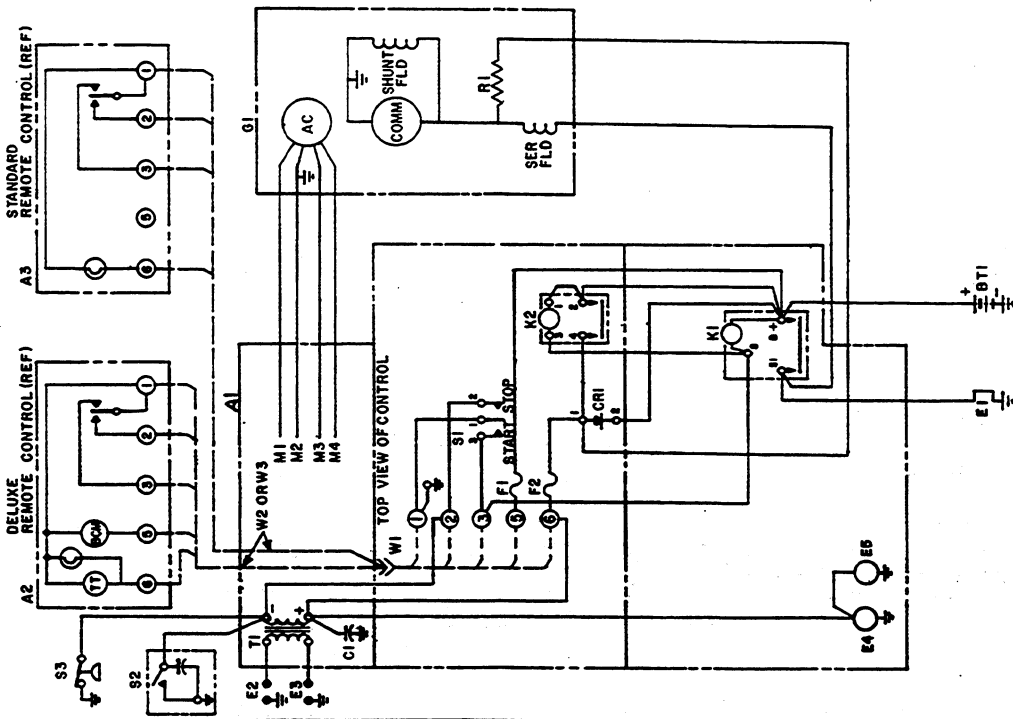
ADDITIONAL	4.0BF-3CR/6002A
	120/240V, 1PH, 4W, 60Hz



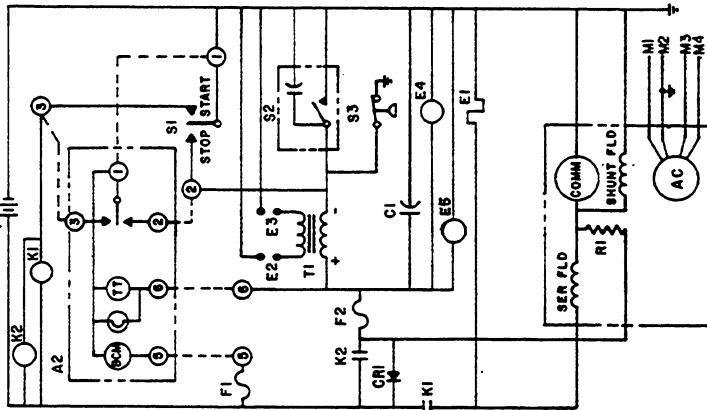
2499

611-1127 C

WIRING DIAGRAM



SCHEMATIC



REL. DES.	PART NO.	QTY	DESCRIPTION
A1	300-1324	D	CONTROL ASSY
ALL PART NO'S LISTED BELOW ARE REF ONLY			
A2	300-0388	B	DELIVE REMOTE CONTROL
A3	300-0388	B	STANDARD REMOTE CONTROL
B1			BATTERY 12V
C1			CAPACITOR
CRI	308-0235	A	RECTIFIER
E1		1	CHOKE-ONAN
E2,3		2	SPARK PLUG
E4		1	FUEL-PUMP
E5		1	SOLENOID-FUEL
F1,2	321-0146	- 2	FUSE (10AMP 32V)
G1		1	GENERATOR
K1	307-1498	B	SOLENOID-START
K2	307-1497	B	RELAY-CRANK IGNITION
R1	353-0057	A	RESISTOR-FIXED (REF)
S1	353-0060	A	RESISTOR-FIXED (WHL GEN)
S2		1	SWITCH-START-STOP
S3	309-0237	P	BREAKER & CAP ASSY
T1		1	SWITCH-LOW OIL PRESS
		1	COIL-IGNITION
W1	338-0998	B	WIRING HARNESS (CONN-REMOTE)
W2	338-0999	C	WIRING HARNESS (CABLE-REMOTE CONTROL) (10 FEET LONG)
W3	338-0980	C	WIRING HARNESS (CABLE-REMOTE CONTROL) (50 FEET LONG)

OPTION

OPTION

611-1127 C

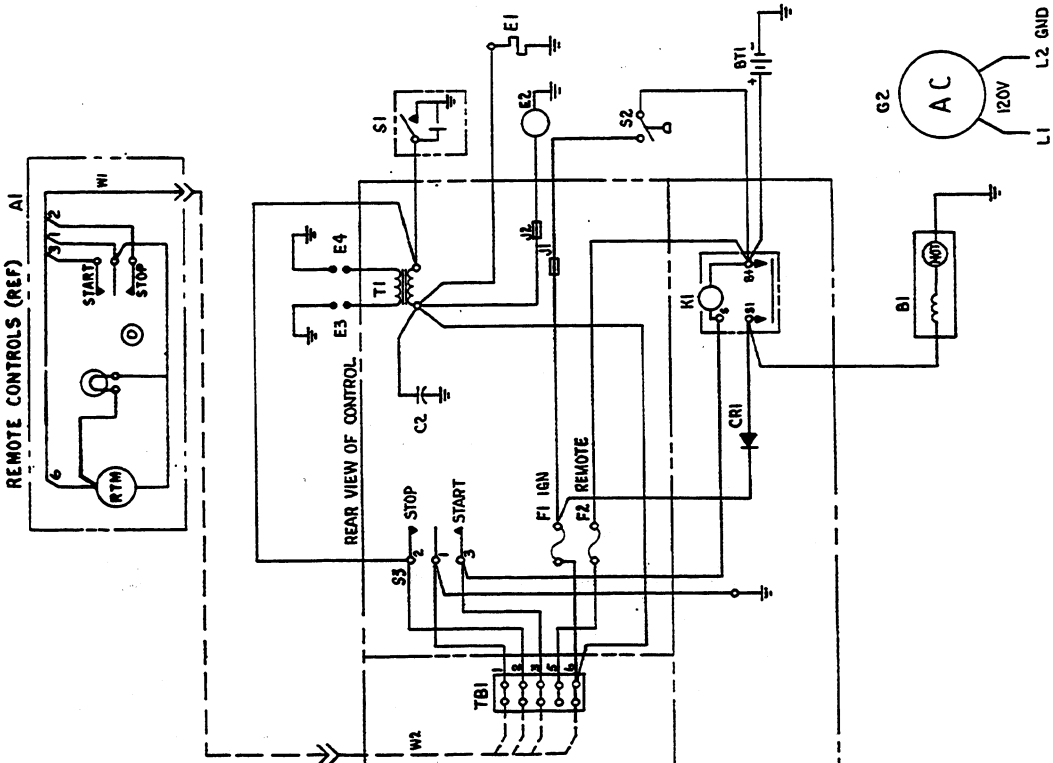
GENERAL REVISION	DATE	BY	DESCRIPTION
1	10-8-75	RKE	CONTROL-GEN SET (WIRING DIAGRAM)

REV	DATE	BY	DESCRIPTION
-01			4 DB-3CR/16000 B 50CK-3CR/16000 6.5NH-3CR/16000 120/240V 1PH 4W 60Hz

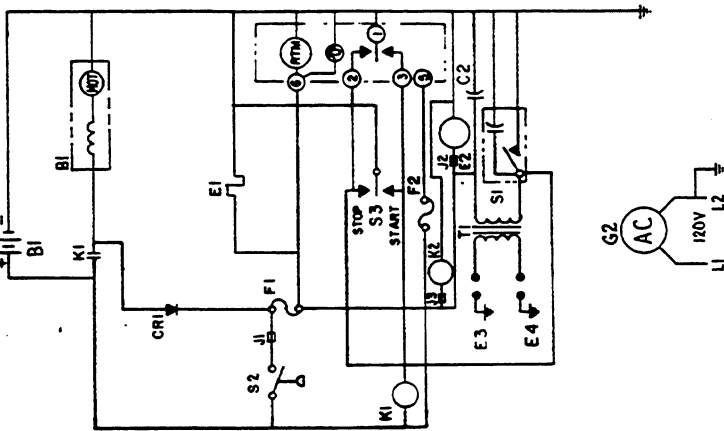
RECONNECTION CHART	
120V, 2W	120/240V, 3W
M1 M2 M3 M4	M1 M2 M3 M4

611-1133

WIRING DIAGRAM



SCHEMATIC



REF DES	PART NO.	QTY	DESCRIPTION
A1	300-1439	1	CONTROL ASSY-GEN SET
B1	300-1439	1	DELOXE REMOTE CONTROL W/MT (REF)
B1		1	STARTER
C1		1	BATTERY-12 VOL
C2		1	DIODE
E1		1	CHIME-ONMAN
E2		1	STOP PUSH
E3		1	START PUSH
F1		1	FUSE (10 AMP)
F2		1	GENERATOR
G1		1	CONNECTOR
J1, J2		2	CONNECTOR
K1		1	SOLENOID-START
S2		1	SWITCH-LOW OIL PRESSURE
S3		1	SWITCH-START STOP
T1		1	COIL IGNITION
TBI		1	TERMINAL BLOCK
W1	332-1970	A	CONNECTOR ASSY (REF)
W2	323-1053	A	CONNECTOR ASSY (REF)

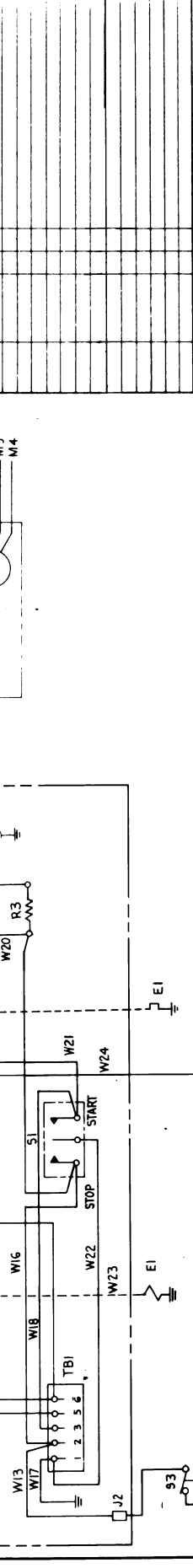
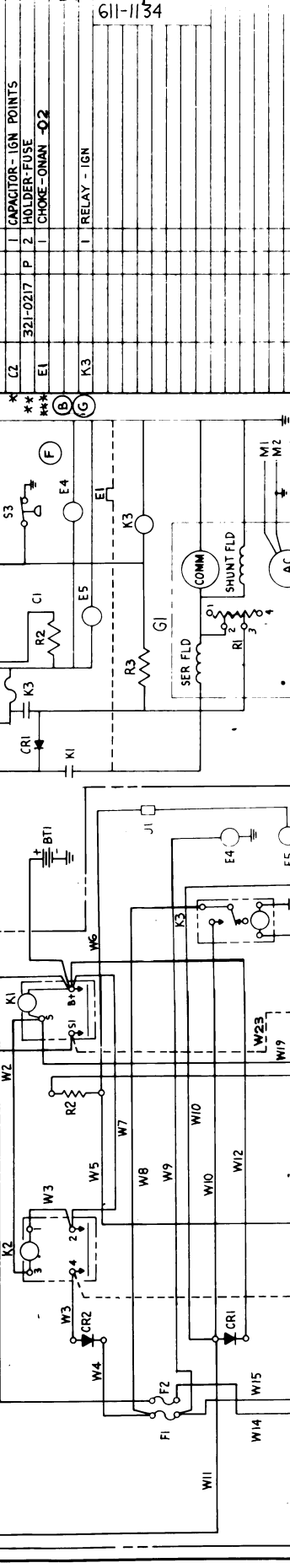
611-1133

REV	DATE	BY	DESCRIPTION
1	7/16/76	DFD	REVISED
2			
3			
4			
5			
6			
7			
8			
9			
10			

F1 WAS CHOKE-BISSON
 E1 WAS 120V 1PH 3W 60HZ
 D1 MOD WAS W0NH-IR/17700 M
 C1 REM J3 WAS SXT 3
 B1 REM K2 (FUEL SOLENOID)
 A1 F1,2 WAS FUSE (10 AMP)
 G1 WAS 120V 1PH 3W 60HZ

DIVISION OF OHM CORPORATION
 Huntsville, AL 35894
 7/16/76 DFD
 CONTROL-GEN SET
 (WIRING DIAGRAM)
 611-1133
 HUNTSVILLE

REF DES	PART NO	QTY	DESCRIPTION
A1	300-1439	1	CONTROL ASSY -O1
A1	300-1522	1	CONTROL ASSY -O2
B1	ALL NOS BELOW		BATTERY 12V
C1	ARE REF ONLY		CAPACITOR-FEED THRU
CR1	305-0235	1	RECTIFIER
CR2	352-0030	1	RECTIFIER
E1		2	CHOKE SASSON -O1
E2		2	SPARK PLUG
E3	149-1245	1	FUEL PUMP
E4	307-1340	1	SOLENOID-FUEL
E5	321-0146	2	FUSE (10 AMP. 32V)
F1		1	GENERATOR
G1	307-1498	1	SOLENOID
K1	307-1497	1	RELAY-CRANK IGNITION
K2	353-0047	1	RESISTOR-FIXED
R1	304-0060	1	RESISTOR-FIXED
R2	304-0060	1	RESISTOR-FIXED
R3	304-0060	1	RESISTOR-FIXED
S1	308-0389	1	SWITCH-START STOP
S2	308-0237	1	BREAKER & CAP ASSY
S3	308-0237	1	SWITCH-LOW OIL PRESS
T1	332-1918	1	TERMINAL BLOCK
T2		1	TERMINAL BLOCK
C2	321-0217	2	CAPACITOR-IGN POINTS
E1		1	HOLDER-FUSE
K3		1	CHOKE-ONAN -O2
K3		1	RELAY-IGN



REV	DATE	BY	CHK	DESCRIPTION
1				REVISED
2				REVISED
3				REVISED
4				REVISED
5				REVISED
6				REVISED
7				REVISED
8				REVISED
9				REVISED
10				REVISED
11				REVISED
12				REVISED
13				REVISED
14				REVISED
15				REVISED
16				REVISED
17				REVISED
18				REVISED
19				REVISED
20				REVISED
21				REVISED
22				REVISED
23				REVISED
24				REVISED
25				REVISED
26				REVISED
27				REVISED
28				REVISED
29				REVISED
30				REVISED
31				REVISED
32				REVISED
33				REVISED
34				REVISED
35				REVISED
36				REVISED
37				REVISED
38				REVISED
39				REVISED
40				REVISED
41				REVISED
42				REVISED
43				REVISED
44				REVISED
45				REVISED
46				REVISED
47				REVISED
48				REVISED
49				REVISED
50				REVISED

110/220 1PH	120/240V, 3W
4 W, 50 Hz	120V
	120V
	240V
	120V
	120V

5.5NH-53BR/16009J	6.5NH-3CR/17198D
120/240V, 1PH	120/240V, 1PH
4 W, 50 Hz	4 W, 60 Hz

611-1134	HUNTSVILLE
----------	------------

611-1134	HUNTSVILLE
----------	------------

611-1134	HUNTSVILLE
----------	------------

611-1134	HUNTSVILLE
----------	------------

611-1134	HUNTSVILLE
----------	------------

611-1134	HUNTSVILLE
----------	------------

611-1134	HUNTSVILLE
----------	------------

611-1134	HUNTSVILLE
----------	------------

611-1134	HUNTSVILLE
----------	------------

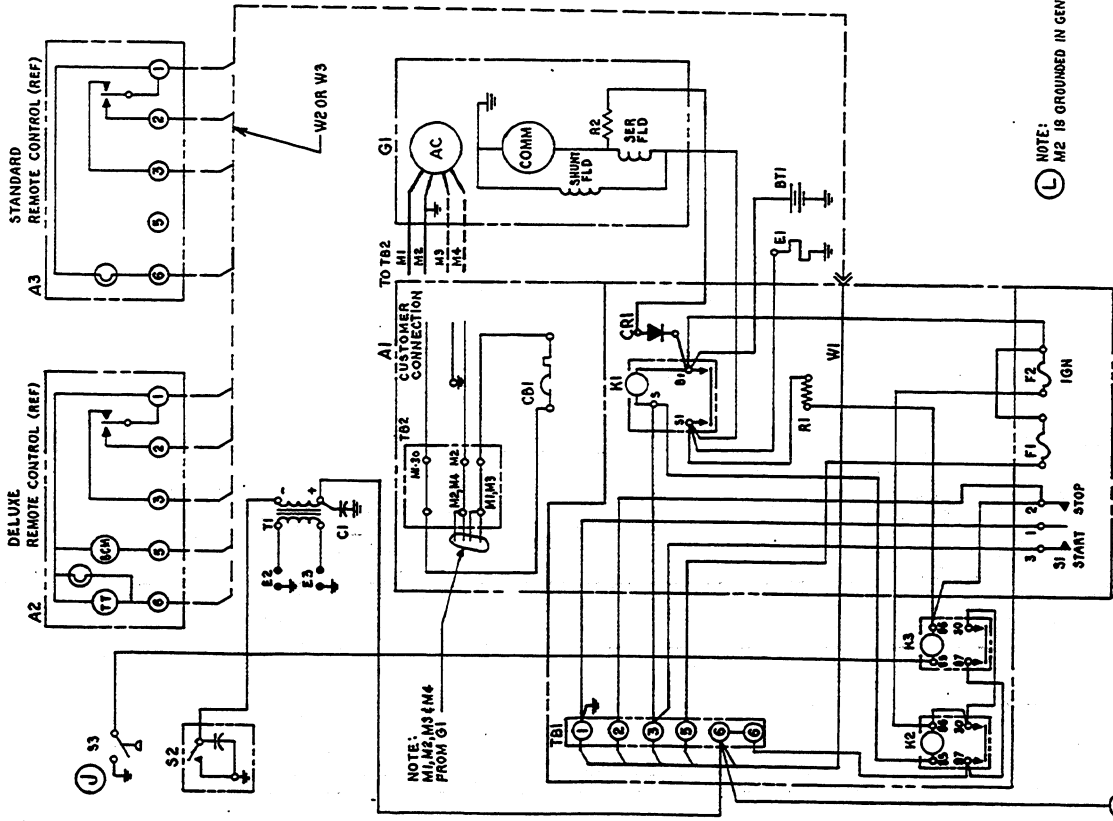
611-1134	HUNTSVILLE
----------	------------

611-1134	HUNTSVILLE
----------	------------

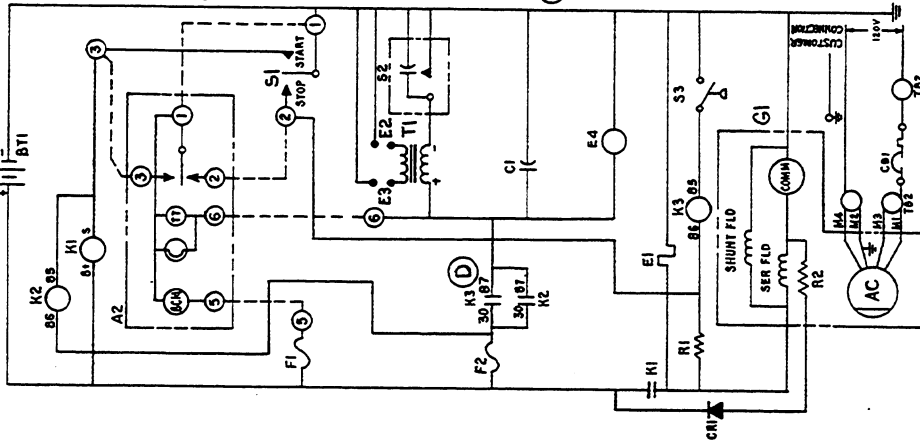
611-1134	HUNTSVILLE
----------	------------

611-1135

WIRING DIAGRAM



SCHEMATIC



REF DES	PART NO.	QTY	DESCRIPTION
A1	300-1601	1	CONTROL ASSY (01) 30AMP
D	300-1602	1	CONTROL ASSY (02) 40AMP
D	300-1603	1	CONTROL ASSY (03) 50AMP
ALL PART NOS LISTED BELOW ARE REF ONLY			
A2	300-0888	B	DELUXE REMOTE CONTROL
A3	300-0885	B	STANDARD REMOTE CONTROL
B1	312-0050	A	BATTERY - 12V
C1	357-0030	P	RECTIFIER (BATT. CHARGING)
E1		1	CHOKE - OHM
E2		2	SPARK - PLUG
E4	149-1542	1	FUEL PUMP
F1	321-0115	P	FUSE HOLDER
F2	321-0174	2	FUSE - 5 AMP 32V
G1		1	GENERATOR
K1	307-1488	B	START SOLENOID
K2	307-1575	P	RELAY - CRANK LIGHT ON
K3	307-1575	P	RELAY - RUN LIGHT ON
R1	304-0431	P	RESISTOR - 150 OHM 5W
R2		1	RESISTOR
S1	309-0383	A	SWITCH - START, STOP
S2		1	SWITCH - BREAKER & CAP ASSY
S3		1	SWITCH - LOW OIL PRESS
T1	166-0843	C	COIL - IGNITION
T81	332-0659	A	TERMINAL BLOCK
T82	332-0254	A	TERMINAL BOARD
T83	98-3331	B	SILKSCREEN - WD (REF)
CBI	320-0544	C	CIRCUIT BREAKER 30AMP (00)
C	320-0547	C	CIRCUIT BREAKER 40AMP (02)
C	320-0548	C	CIRCUIT BREAKER 50AMP (03)
W1	338-1078	C	WIRING HARNESS (COM-REMOTE)
W2	338-1080	C	WIRING HARNESS (CABLE-REMOTE CONTROL) (10 FEET LONG)
W3	338-1081	C	WIRING HARNESS (CABLE-REMOTE CONTROL) (20 FEET LONG)

REV	DATE	DESCRIPTION
C	10/16/87	ADDED 01, 02, 03 TO A1
H	10/16/87	REVISED CBI
G	10/16/87	ADDED T82
F	10/16/87	WAB 149-1530
E	10/16/87	REMOVED 300-1834
D	10/16/87	REMOVED CR2
A	10/16/87	REMOVED K4
E	10/16/87	REMOVED 5.5NH-IR/16000A
D	10/16/87	CHANGED K3 CONTACTS TO A1
C	10/16/87	ADDED 300-1534 TO A1
B	10/16/87	ADDED CR2
A	10/16/87	ADDED K4

611-1135

WHEN USED

4.0 BFA - 1R/16000A
120V 2W
60 HZ

5.0 BGA - 3CR/16000A
6.5 NH - 3CR/16000A
120/240V 1PH
4 W 60 HZ

REVISIONS

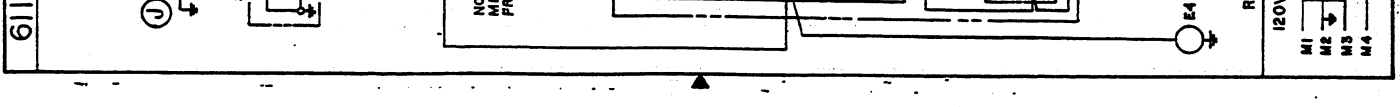
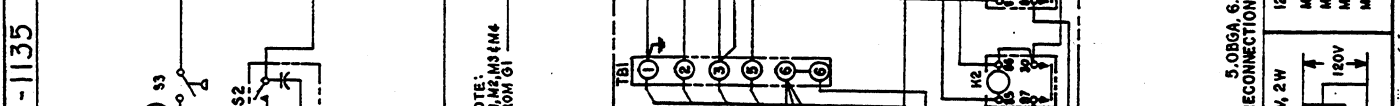
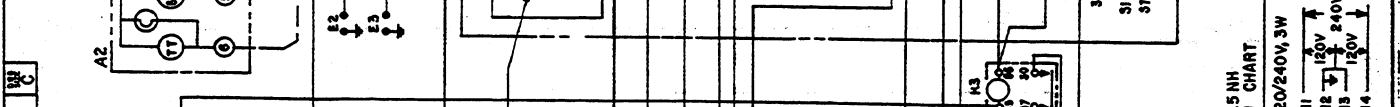
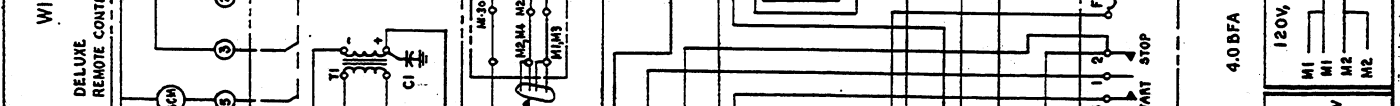
REVISED BY DATE

APPROVED BY DATE

CONTROL - GEN SET (WIRING DIAGRAM)

611-1135

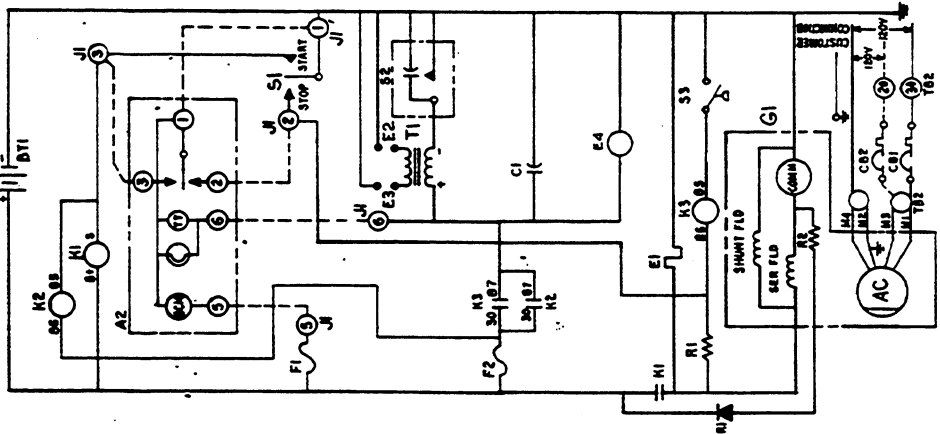
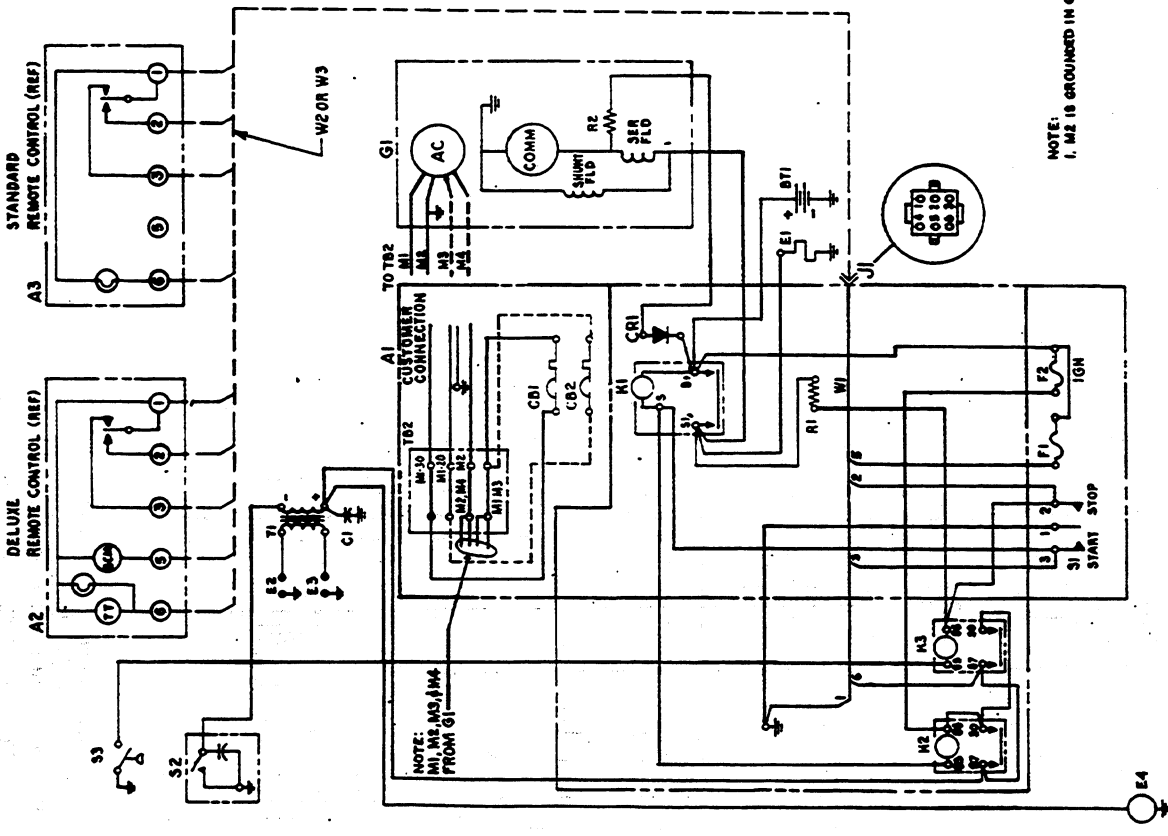
RECONNECTION CHART



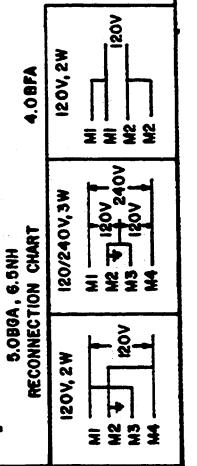
611-1138

WIRING DIAGRAM

SCHEMATIC



NOTE:
1. M2 IS GROUNDED IN GENERATOR



MORAL IN

-01	4.0BFA-1R/16019A
-02	5.0BFA-3CR/16019K
	6.5NH-3CR/16019K

120V. 1PH
4 W 60 Hz

611-1138

611-1138

HUNTSVILLE

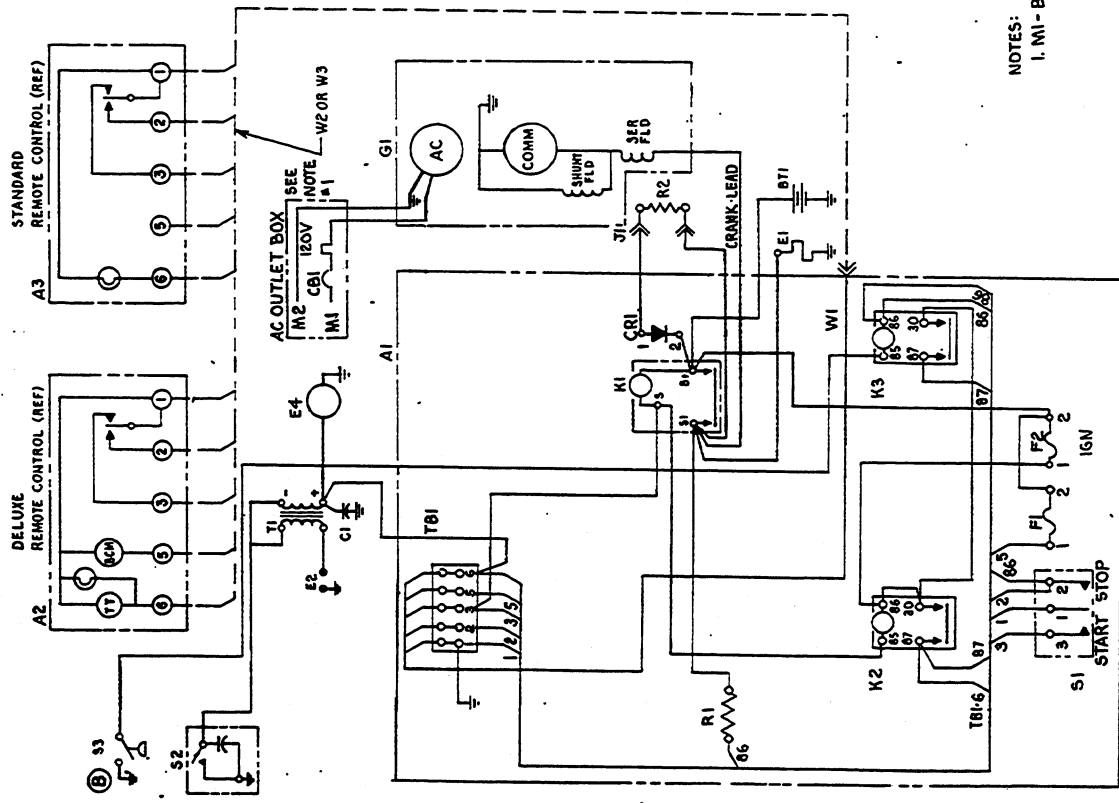
PARTS LIST

REF DES	PART NO.	QTY	DESCRIPTION
A1	300-1341 D	1	CONTROL ASSY. -01
	300-1342 D	1	CONTROL ASSY. -02
ALL PART NOS LISTED BELOW ARE REF ONLY			
A2	300-0906 B	1	DELUXE REMOTE CONTROL
A3	300-0905 B	1	STANDARD REMOTE CONTROL
B1	312-0050 A	1	BATTERY - 12V
C1	320-0944 C	1	CAPACITOR
C2	320-0942 A	1	CIRCUIT BREAKER 30AMP (-01.-02)
C3	320-0943 A	1	CIRCUIT BREAKER 30AMP (-02)
E1	357-0030 P	1	RECTIFIER (BATT. CHARGING)
E2	357-0030 P	1	RECTIFIER (BATT. CHARGING)
E3	357-0030 P	1	RECTIFIER (BATT. CHARGING)
E4	357-0030 P	1	RECTIFIER (BATT. CHARGING)
F1	322-0175 P	2	FUSE HOLDER
F2	322-0175 P	2	FUSE - 5 AMP 32V
F3	322-0174 Z	2	FUSE - 5 AMP 32V
G1	302-1488 B	1	GENERATOR
K1	302-1488 B	1	START SOLENOID
K2	302-1575 P	1	RELAY - GRAHNS IGNITION
K3	302-1575 P	1	RELAY - RUN IGNITION
R1	304-0431 P	1	RESISTOR - 150 OHM 5W
R2	304-0431 P	1	RESISTOR - 150 OHM 5W
J1	325-0440 C	1	SOCKET PLUS-REMOTE
S1	308-0383 A	1	SWITCH - START, STOP
S2	308-0383 A	1	SWITCH - BREAKER 6 CAP ASSY
S3	308-0383 A	1	SWITCH - LOW OIL PRESS
T1	166-0643 C	1	COIL - IGNITION
T82	98-3331 B	1	TERMINAL BOARD (REF)
	332-0284 A	1	TERMINAL BOARD
	338-1078 C	1	WIRING HARNESS (CABLE-REMOTE)
	338-1080 C	1	WIRING HARNESS (CABLE-REMOTE CONTROL, 1 LD FEET LONG)
	338-1081 C	1	WIRING HARNESS (CABLE-REMOTE CONTROL, .30 FEET LONG)

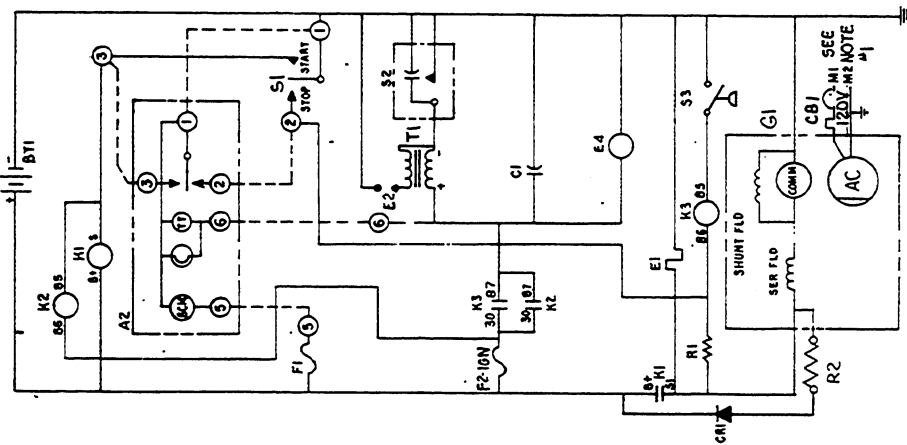
• WHEN USED

611-1140

WIRING DIAGRAM



SCHEMATIC



REF DES	PART NO.	QTY	DESCRIPTION
A1	300-1984	C	CONTROL ASSY.
ALL PART NOS LISTED BELOW ARE REF ONLY			
A2	300-0986	P	DELUXE REMOTE CONTROL
A3	300-0984	B	STANDARD REMOTE CONTROL
B1	312-0950	A	BATTERY 12V
C1	357-0010	P	CAPACITOR
C81	350-0944	C	RECEIVER (AFT-CHARGING)
E1			30AMP CIRCUIT BRK
E2			CHOKE - OHM
E4	307-1302	A	SPARK - PLUG
F1	321-0115	P	SOLENOID FUEL SHUT OFF
F2	321-0114	P	FUSE HOLDER
G1	321-0114	P	FUSE - 5 AMP 32V
K1	302-1498	B	GENERATOR
K2	301-1312	P	START SOLENOID
K3	301-1312	P	RELAY - CRANK LIGHTING
R1	302-0795	P	RELAY - RUN IGNITION
R7	353-0050	P	RESISTOR - 17Ω OHM 5W
S1	308-0363	A	RESISTOR - 10- OHM .45W
S2			SWITCH - START, STOP
S3			SWITCH - BREAKER & CAP ASSY
T1	166-0278	C	SWITCH - LOW OIL PRESS
TBI	332-0804	A	COIL - IGNITION
			TERMINAL BLOCK
	96-3388	A	TERMINAL BLOCK
			SILASCREEN - VP
J1	908-0200	A	BUSHING - TERMINAL
			WIRING HARNESS (COMH-REMOTE)
			WIRING HARNESS (CABLE-REMOTE)
			CONTROL 1 (30 FEET LONG)
			WIRING HARNESS (CABLE-REMOTE CONTROL) (30 FEET LONG)

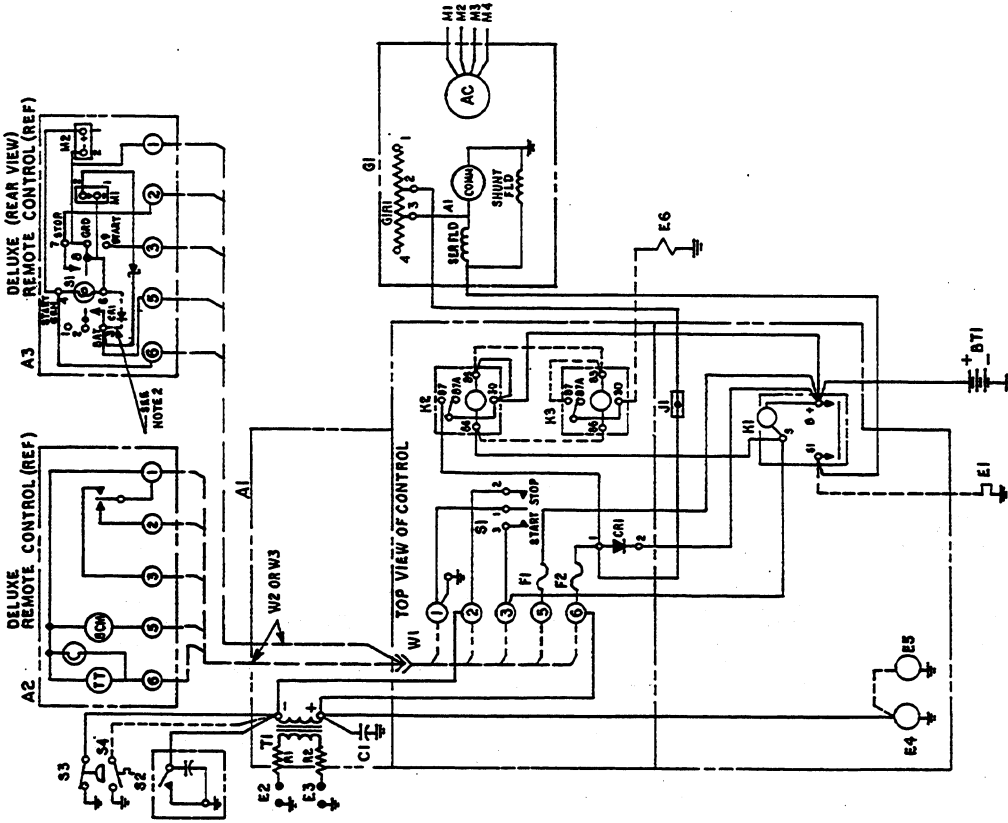
WHEN USED

NOTES:
1. M1 - BLACK, M2 - WHITE

8	RS WAS 4-1-77	611-1140
A	WAS 1-8-1902	
DIVISION OF OHM CORPORATION Minneapolis, Minnesota		
PART 9-6-77 JFM (REV 7/77) FOR ZZ		
CONTROL - GEN SET (WIRING DIAGRAM)		
MODEL NO.	3.0AW-1R/16017P	
VOLTS	120V	1PH
WATTAGE	2W	60 HZ
DATE	611-1135	611-1140
REV	C	

611-1141

WIRING DIAGRAM

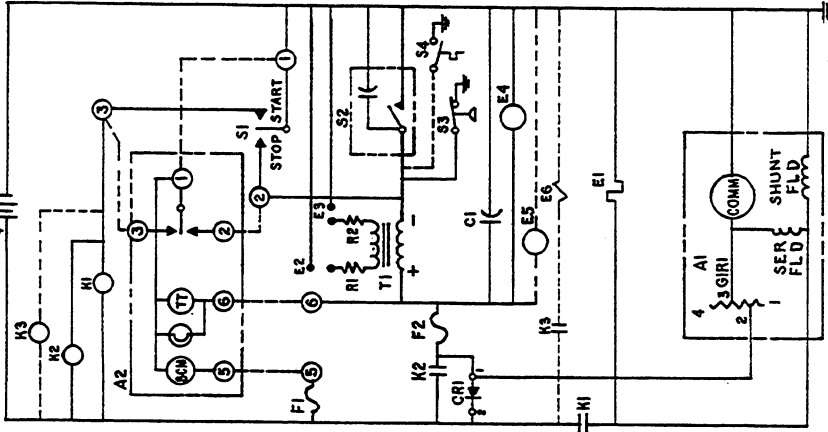


NOTE:
1. REPLACES PC BOARD CONTROL (300-0859) FOR R.V.

2. REMOVE CRI FROM 1 & 2 AND JUMPER FROM 1 TO GND (FROM G1R1) IN GEN END BELL

3. REMOVE LEAD ASSY FROM HARNESS (338-1120 (0))

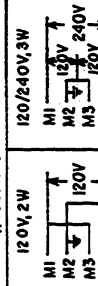
SCHEMATIC



REF DES	PART NO.	QTY	DESCRIPTION
A1	300-1843	0	CONTROL ASSY -01 -02
K3	307-1611	1	RELAY & LEAD ASSY -02 (SEE NOTE 3)
A2	300-0980	B	DELUXE REMOTE CONTROL
A3	300-0843	B	DELUXE REMOTE CONTROL
B1			BATTERY 12V
C1			CAPACITOR
G1	305-0335	A	RECTIFIER
E1, E3			CHOKE - OHMM
E2, E4			2 SPARK PLUG
E5			FUEL PUMP
E6			SOLENOID - FUEL (WHEN USED)
F1, F2	321-0174	-	2 FUSE (5 AMP, 32 V)
G1			GENERATOR
G1R1	333-0047	-	RESISTOR
J1	332-1508	-	SPLICE - WINDOW
K1	307-1499	B	SOLENOID - START
K2	307-1579	P	RELAY - IGNITION
R1			LEAD ASSY - HI TEN
R2			LEAD ASSY - HI TEN
S1			SWITCH - START STOP
S2			BREAKER & CAP ASSY
S3	308-0837	P	SWITCH - LOW OIL PRESS
S4			SWITCH - HIGH AIR TEMP
T1			COIL - IGNITION
W1	338-1120	D	WIRING HARNESS
W2	338-0959	C	WIRING HARNESS (CABLE - REMOTE CONTROL) (10 P FEET LONG)
W3	338-0960	C	WIRING HARNESS (CABLE - REMOTE CONTROL) (30 FEET LONG)

611-1141

RECONNECTION CHART

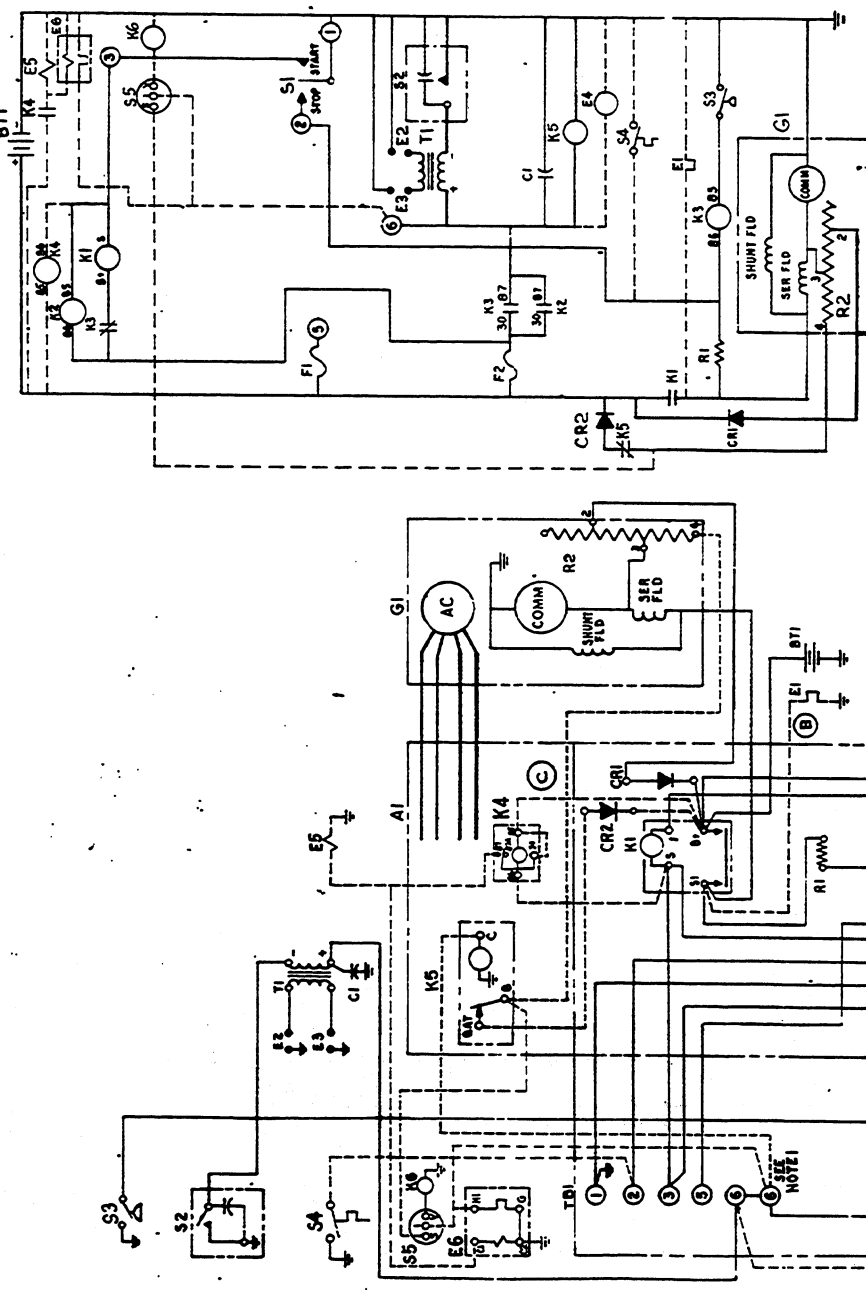


DECLARIFIED NOTE 2	W1	15	19-273
A1 WAS 300-1595	REVISED	7/7/72	12-231
DIVISION OF ORAN CORPORATION Minneapolis, Minnesota			
W1	10-3-77	3C	1973
CONTROL - GEN SET (WIRING DIAGRAM)			
PARTS FROM			611-1141
CITY			SPRINGSVILLE

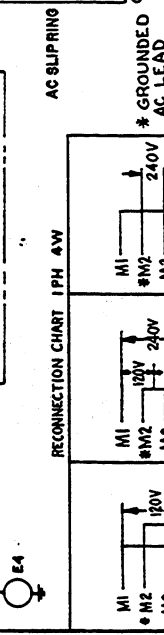
MODEL NO.	300-0859				
REV	-01				
DATE	12-231				
BY	K.S.B.				
CHECKED					
APPROVED					
SCALE					
1	30	53	50	1/8"	1/4"
2	1	1	1	1	1
3	1	1	1	1	1
4	1	1	1	1	1
5	1	1	1	1	1
6	1	1	1	1	1
7	1	1	1	1	1
8	1	1	1	1	1
9	1	1	1	1	1
10	1	1	1	1	1
11	1	1	1	1	1
12	1	1	1	1	1
13	1	1	1	1	1
14	1	1	1	1	1
15	1	1	1	1	1
16	1	1	1	1	1
17	1	1	1	1	1
18	1	1	1	1	1
19	1	1	1	1	1
20	1	1	1	1	1
21	1	1	1	1	1
22	1	1	1	1	1
23	1	1	1	1	1
24	1	1	1	1	1
25	1	1	1	1	1
26	1	1	1	1	1
27	1	1	1	1	1
28	1	1	1	1	1
29	1	1	1	1	1
30	1	1	1	1	1
31	1	1	1	1	1
32	1	1	1	1	1
33	1	1	1	1	1
34	1	1	1	1	1
35	1	1	1	1	1
36	1	1	1	1	1
37	1	1	1	1	1
38	1	1	1	1	1
39	1	1	1	1	1
40	1	1	1	1	1
41	1	1	1	1	1
42	1	1	1	1	1
43	1	1	1	1	1
44	1	1	1	1	1
45	1	1	1	1	1
46	1	1	1	1	1
47	1	1	1	1	1
48	1	1	1	1	1
49	1	1	1	1	1
50	1	1	1	1	1
51	1	1	1	1	1
52	1	1	1	1	1
53	1	1	1	1	1
54	1	1	1	1	1
55	1	1	1	1	1
56	1	1	1	1	1
57	1	1	1	1	1
58	1	1	1	1	1
59	1	1	1	1	1
60	1	1	1	1	1
61	1	1	1	1	1
62	1	1	1	1	1
63	1	1	1	1	1
64	1	1	1	1	1
65	1	1	1	1	1
66	1	1	1	1	1
67	1	1	1	1	1
68	1	1	1	1	1
69	1	1	1	1	1
70	1	1	1	1	1
71	1	1	1	1	1
72	1	1	1	1	1
73	1	1	1	1	1
74	1	1	1	1	1
75	1	1	1	1	1
76	1	1	1	1	1
77	1	1	1	1	1
78	1	1	1	1	1
79	1	1	1	1	1
80	1	1	1	1	1
81	1	1	1	1	1
82	1	1	1	1	1
83	1	1	1	1	1
84	1	1	1	1	1
85	1	1	1	1	1
86	1	1	1	1	1
87	1	1	1	1	1
88	1	1	1	1	1
89	1	1	1	1	1
90	1	1	1	1	1
91	1	1	1	1	1
92	1	1	1	1	1
93	1	1	1	1	1
94	1	1	1	1	1
95	1	1	1	1	1
96	1	1	1	1	1
97	1	1	1	1	1
98	1	1	1	1	1
99	1	1	1	1	1
100	1	1	1	1	1

611-1142

SCHEMATIC 98-3430



REVISION	DESCRIPTION
01	ASSEMBLY
02	REVISION
03	REVISION
04	REVISION
05	REVISION
06	REVISION
07	REVISION
08	REVISION
09	REVISION
10	REVISION
11	REVISION
12	REVISION
13	REVISION
14	REVISION
15	REVISION
16	REVISION
17	REVISION
18	REVISION
19	REVISION
20	REVISION
21	REVISION
22	REVISION
23	REVISION
24	REVISION
25	REVISION
26	REVISION
27	REVISION
28	REVISION
29	REVISION
30	REVISION
31	REVISION
32	REVISION
33	REVISION
34	REVISION
35	REVISION
36	REVISION
37	REVISION
38	REVISION
39	REVISION
40	REVISION
41	REVISION
42	REVISION
43	REVISION
44	REVISION
45	REVISION
46	REVISION
47	REVISION
48	REVISION
49	REVISION
50	REVISION
51	REVISION
52	REVISION
53	REVISION
54	REVISION
55	REVISION
56	REVISION
57	REVISION
58	REVISION
59	REVISION
60	REVISION
61	REVISION
62	REVISION
63	REVISION
64	REVISION
65	REVISION
66	REVISION
67	REVISION
68	REVISION
69	REVISION
70	REVISION
71	REVISION
72	REVISION
73	REVISION
74	REVISION
75	REVISION
76	REVISION
77	REVISION
78	REVISION
79	REVISION
80	REVISION
81	REVISION
82	REVISION
83	REVISION
84	REVISION
85	REVISION
86	REVISION
87	REVISION
88	REVISION
89	REVISION
90	REVISION
91	REVISION
92	REVISION
93	REVISION
94	REVISION
95	REVISION
96	REVISION
97	REVISION
98	REVISION
99	REVISION
100	REVISION



REF DES	PART NO	QTY	DESCRIPTION
A1	SEE TAB D	1	CONTROL ASSY
ALL PART NOS LISTED BELOW ARE REF ONLY			
B11		1	BATTERY - 12V
C1	312-0050	1	CAPACITOR
CA1,2	357-0030	2	RECTIFIER (BATT. CHARGING)
E1		1	CHOKE - ONVAN (-02, 04)
F2, 3		2	SPARK - PLUG
F4	149-1542	1	FUEL PUMP (01, 03, 04)
E5		1	CHOKE - SIBSON (01, 03)
F1, 2	321-0125	2	FUSE HOLDER
G1	321-0114	1	GENERATOR
A1	302-1517	1	START SOLENOID
K1	307-1515	1	RELAY - CHIRK LIGHTON
K3	307-1515	1	RELAY - RUN LIGHTON
R1	352-0161	1	RESISTOR - 100 OHM 5W
R2		1	RESISTOR
K5		1	RELAY - CHARGE
K4	307-1618	1	RELAY ASSY
K6		1	FUEL SOLENOID (NAT GAS ONLY)
S1	308-0383	1	SWITCH - START STOP
S2		1	SWITCH - BREAKER & CAP ASSY
S3		1	SWITCH - LOW OIL PRESS
T1	166-0643	1	COIL - LIGHTON
TBI	332-0699	1	TERMINAL BLOCK
	98-3430	1	SILKSCREEN - WD (REF)
S4		1	SWITCH - HIGH AIR TEMP (-05)
S5		1	SWITCH - VACUUM (FUEL SOLENOID) (NAT GAS ONLY)
E6		1	CHOKE - THERMO. MAG

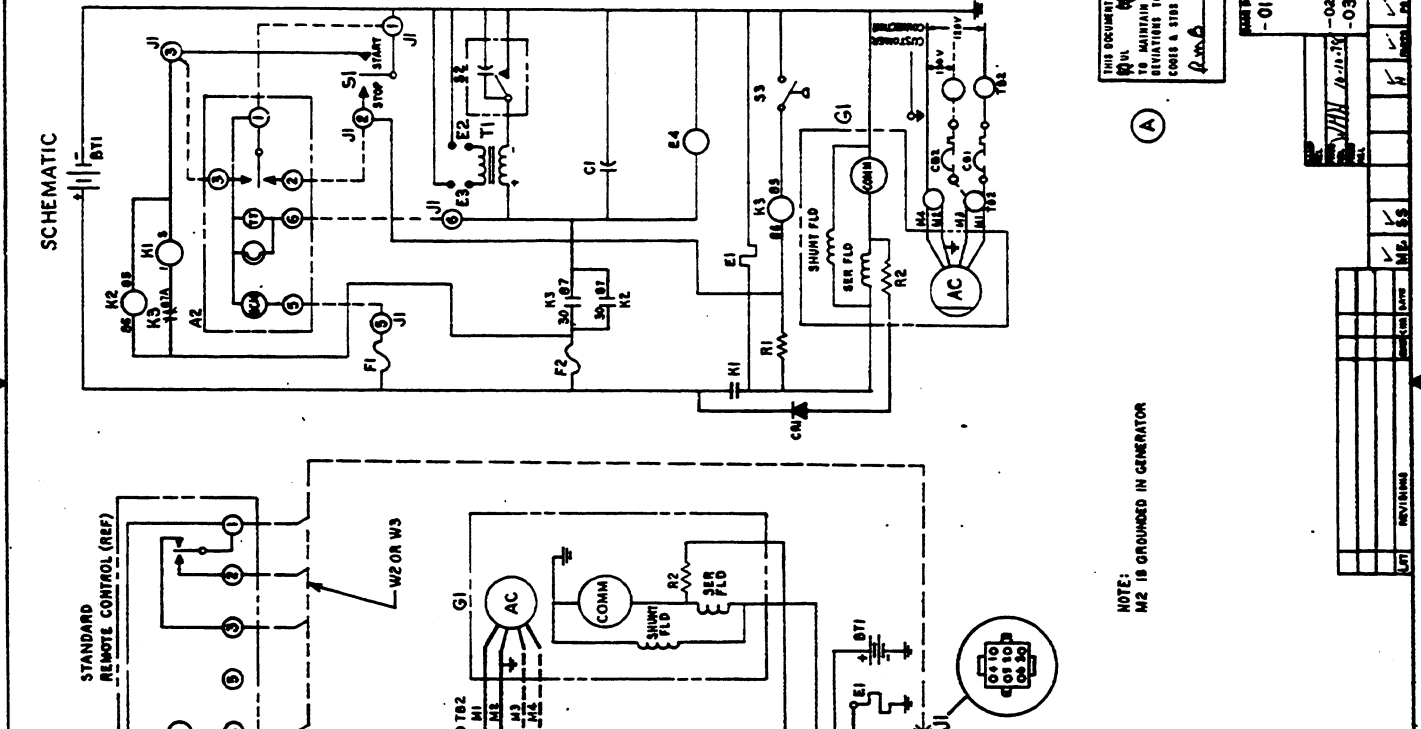
NOTE:
 1. TBI-5 IS FORB. OR REMOTE BATTERY CONDITION METER.
 TBI-6 IS FOR A REMOTE RUNNING TIME METER OR RUNNING LIGHT.

REVISIONS:
 K ADDED -09
 J ADDED -06
 I ADDED -05
 H ADDED -04
 G ADDED -03
 F ADDED -02
 E ADDED -01

CONTROL - GEN SET (WIRING DIAGRAM)
 611-1142

611-1146

WIRING DIAGRAM



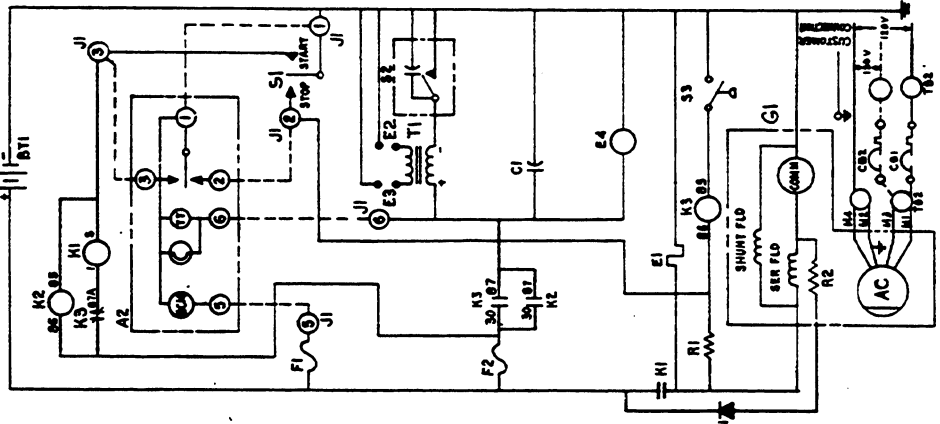
REF DES	PART NO.	REF QTY	DESCRIPTION
A1	300-1764 D	1	CONTROL ASSY (CON) 30 AMP
B1	300-1765 D	1	CONTROL ASSY (-02) 10/20 (1) 30 AMP
C1	300-1766 D	1	CONTROL ASSY (-03) (2) 30 AMP
ALL PART NOS LISTED BELOW ARE REF ONLY			
A2	300-0888 B	1	DELUXE REMOTE CONTROL
A3	300-0895 B	1	STANDARD REMOTE CONTROL
B1	312-0050 A	1	BATTERY - 12V
C1	337-0050 P	1	RECEPTER (BATT. CHARGING)
E1	300-0898 B	1	CHOKE - OHM
E2	300-0898 B	1	SPARK - PLUG
E4	300-0898 B	1	FUEL PUMP
F1	321-0115 P	2	FUSE - HOLDER
F2	321-0114 P	2	FUSE - 5 AMP 32V
G1	307-1617 B	1	GENERATOR
K1	307-1515 P	1	START SOLENOID
K2	307-1515 P	1	RELAY - CHOCK IGNITION
K3	307-1515 P	1	RELAY - RUN IGNITION
R1	304-0431 P	1	RESISTOR - 150 OHM 5W
R2	304-0431 P	1	RESISTOR
J1	333-0440 C	1	SOCKET PLUG-REMOTE
S1	308-0383 A	1	SWITCH - START STOP
S2	308-0383 A	1	SWITCH - BREAKER & CAP ASSY
S3	308-0383 A	1	SWITCH - LOW OIL PRESS
T1	188-0843 C	1	COIL - IGNITION
TB2	332-0254 A	1	TERMINAL BOARD
98-3717 B	1	SILKSCREEN - S.C. HEAMATIC	
CB1/CB2	320-0544 C	1	CIRCUIT BREAKER 30 AMP (1) (2) (3)
CB2	320-0692 C	1	CIRCUIT BREAKER 20 AMP (-02)
F1	338-1078 C	1	WIRING HARNESS (COHM-REMOTE)
F2	338-1090 C	1	WIRING HARNESS (CABLE-REMOTE CONTROL) (10 FEET LONG)
F3	338-1091 C	1	WIRING HARNESS (CABLE-REMOTE CONTROL) (30 FEET LONG)

• WHEN USED

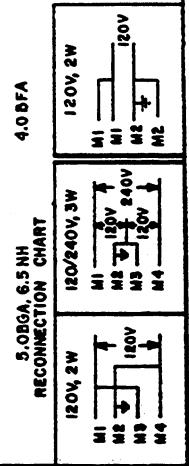
THIS DOCUMENT SUBJECT TO FOLLOWING STANDARDS/CODES
 MIL-STD-883C
 MIL-STD-883D
 TO MAINTAIN THIS COMPLIANCE, NO CHANGES OR
 DEVIATIONS TO BE MADE W/O APPROVAL OF:
 CROSS & STEINBERG
 DATE: 12/13/79

ADD STD CODES, LABEL
 DIVISION OF OHM CORPORATION
 Minneapolis, Minnesota
 9-22-78
 CONTROL - GEN SET
 (WIRING DIAGRAM)
 611-1146

SCHEMATIC

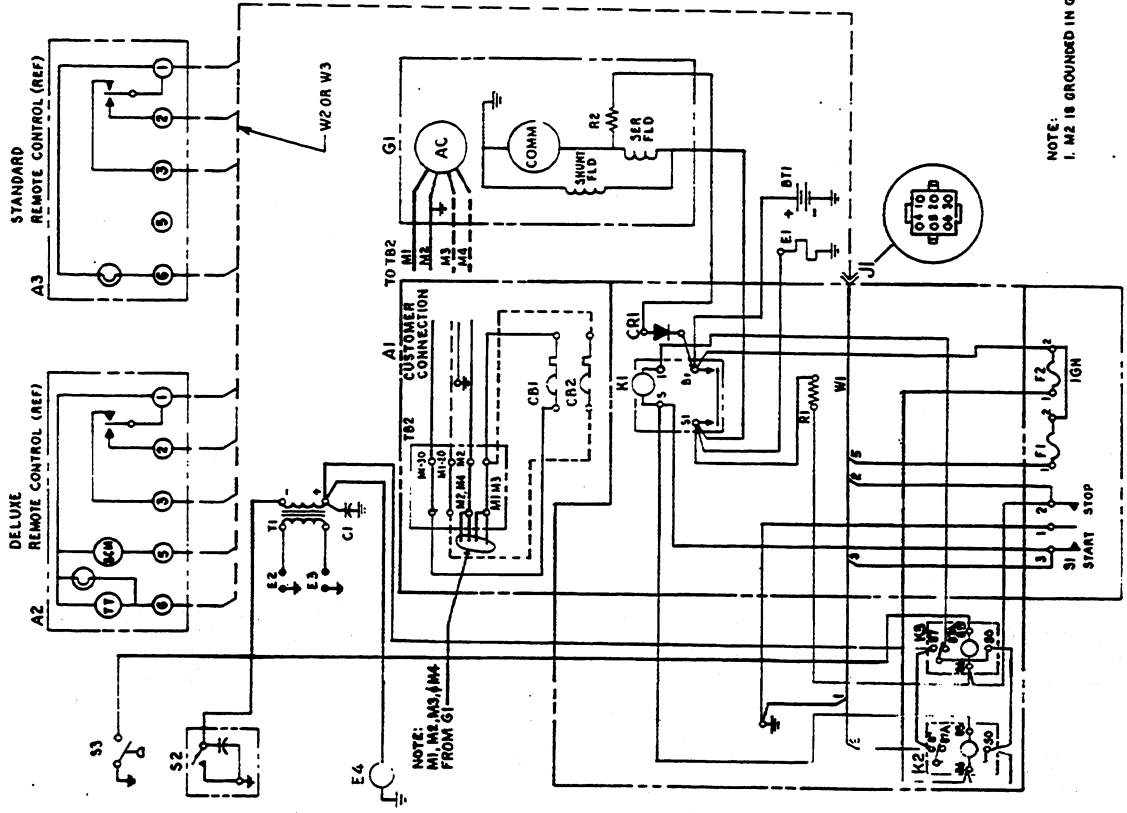


NOTE: M2 IS GROUNDED IN GENERATOR

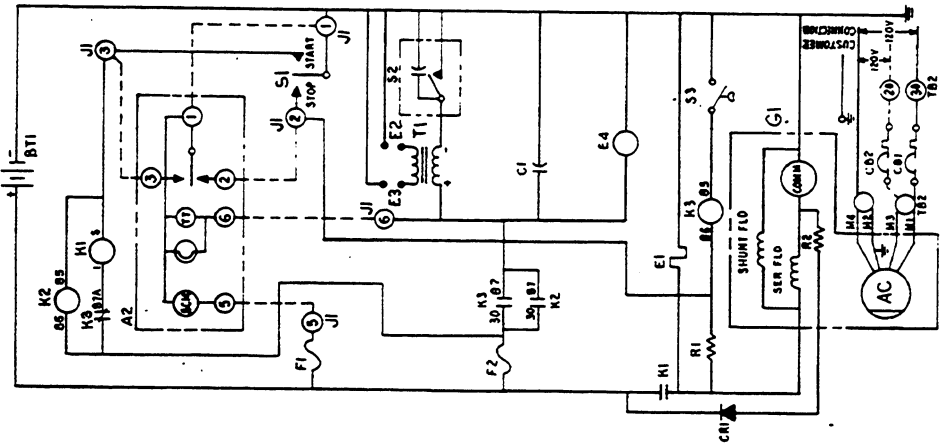


611-1147

WIRING DIAGRAM



SCHEMATIC

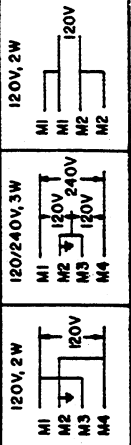


REF DES	PART NO	QTY	DESCRIPTION
A1	300-1747 D	1	CONTROL ASSY - O1
	300-1168 D	1	CONTROL ASSY - O2
ALL PART NOS LISTED BELOW ARE REF ONLY			
A2	300-0986 B	1	DELUXE REMOTE CONTROL
A3	300-0985 B	1	STANDARD REMOTE CONTROL
B11	312-0050 A	1	BATTERY - 12V
C1	312-0050 A	1	CAPACITOR
C81	320-0444 C	1	CIRCUIT BREAKER 30AMP (-O1, -O2)
C82	320-0402 A	1	CIRCUIT BREAKER 30AMP (-O2)
C91	357-0030 P	1	RECTIFIER (BATT. CHARGING)
E1	321-0175 P	1	CHONGE - ONAN
E2,3	321-0174 P	2	FUSE - 5 AMP 32V
E4	307-1617 B	1	FUEL PUMP
F1, 2	307-1617 B	2	FUSE HOLDER
G1	307-1617 B	1	GENERATOR
K1	307-1617 B	1	START SOLENOID
K2	307-1515 P	1	RELAY - CRANK LIGHTING
K3	307-1515 P	1	RELAY - RUN LIGHTING
R1	304-0431 P	1	RESISTOR - 150 OHM 5W
R7	383-0440 C	1	RESISTOR
J1	308-0383 A	1	SOCKET PLUG REMOTE
S1	308-0383 A	1	SWITCH - START, STOP
S2	166-0843 C	1	SWITCH - BREAKER & CAP ASSY
S3	166-0843 C	1	SWITCH - LOW OIL PRESS
T1	910-3717 B	1	COIL - IGNITION
T82	332-0234 A	1	TERMINAL BOARD
			SILVERGREEN SCHEMATIC
			WIRING HARNESS - CABLE REMOTE
			WIRING HARNESS - CABLE REMOTE CONTROL 10 FEET LONG
			WIRING HARNESS - CABLE REMOTE CONTROL 10 FEET LONG

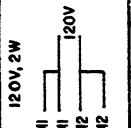
• WHEN INSTD

NOTE:
1. M2 IS GROUND IN GENERATOR

5.0BFA, 6.5NH RECONNECTION CHART



4.0BFA



THIS DRAWING SUBJECT TO FOLLOWING STANDARD/NOTES
 TO MAINTAIN THIS COMPANY, NO CHANGE OR
 MODIFICATIONS TO BE MADE WITHOUT THE
 CONSENT OF THE ENGINEER.
 DATE: 5-13-79
 DRAWN BY: W.H.H. 10-9-78
 CHECKED BY: J.D.B.
 APPROVED BY: [Signature]

MODEL NO
 -O1 4.0BFA-1R/16019/B
 -O2 5.0BFA-3CR/16019/B
 6.5NH 3CR/16019/M

ADD STOCK CODES LABEL REVISED BY DATE

DIVISION OF OHM CORPORATION
 Huntsville, Tennessee

9-22-78

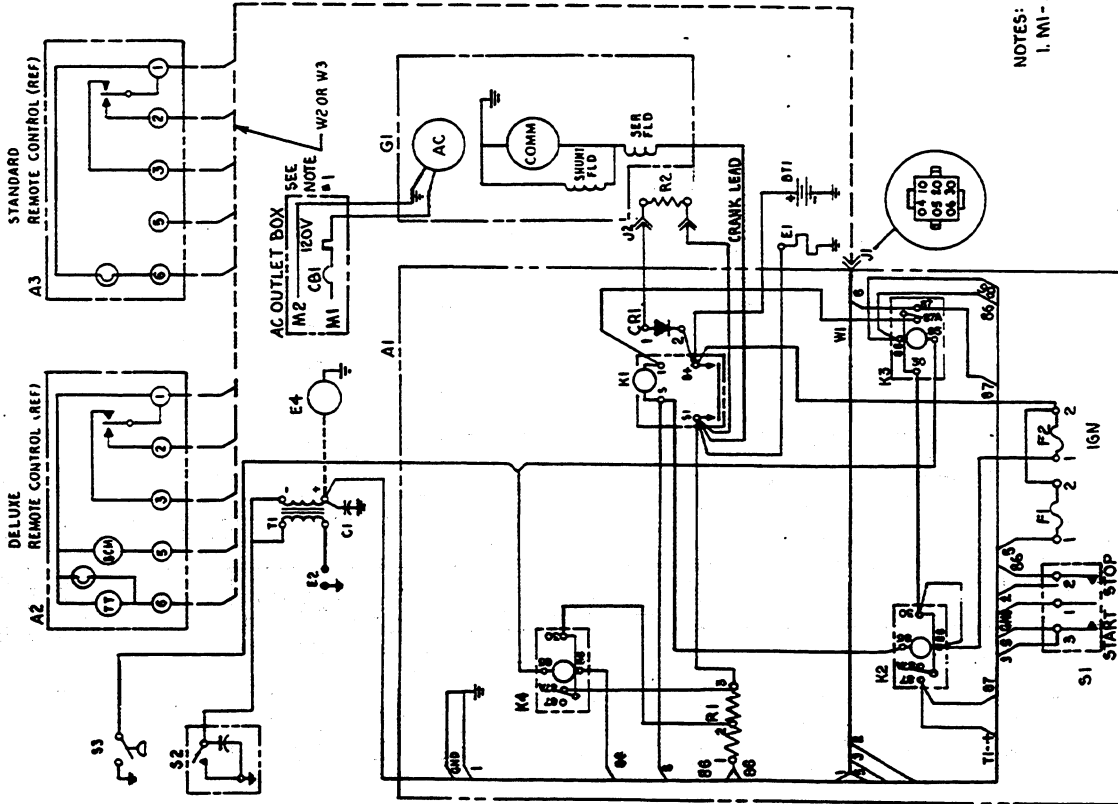
CONTROL - GEN SET
 (WIRING DIAGRAM)

DATE: 6-11-86

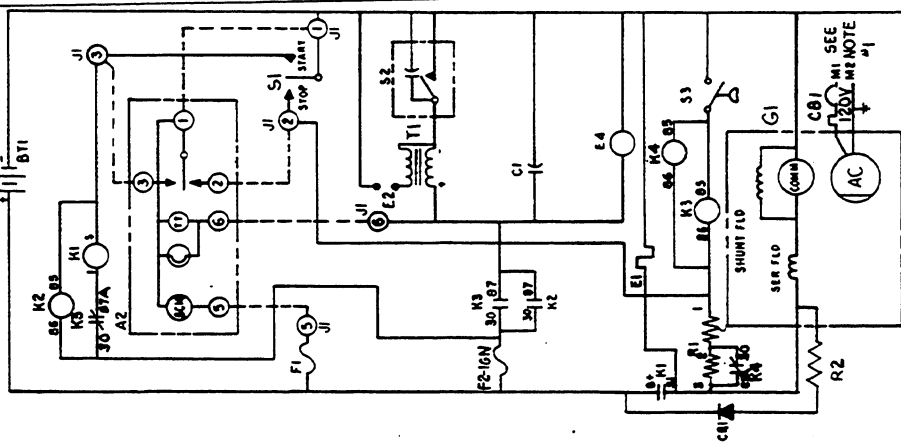
611-1147

HUNTSVILLE

WIRING DIAGRAM



SCHEMATIC



NOTES:
1. M1 - BLACK, M2 - WHITE

THIS DOCUMENT SUBJECT TO FOLLOWING STANDARDS/CODES
 IN USE
 FOR USE
 TO MAINTAIN THE EQUIPMENT IN SERVICE OR
 OPERATIONS TO BE MADE W/O APPROVAL OF
 CORP & STORE ENGR. *W. J. B. / 7-3-52*
 SERIALIZED DATE

REF. DES.	PART NO.	QTY	DESCRIPTION
A1	300-1781	C	CONTROL ASSY
ALL PART NOS. LISTED BELOW ARE REF ONLY			
A2	300-0986	P	DELUXE REMOTE CONTROL
A3	300-0985	B	STANDARD REMOTE CONTROL
B1	317-0050	A	BATTERY - 12V
C1	357-0050	P	CAPACITOR
CRI	320-0844	C	RECTIFIER (BATT. CHARGING)
CBI	320-0844	C	SOAMP CIRCUIT BRK
E1	307-1078	P	CHOKE - OHM
E2	307-1302	A	SPARK - PLUG
E4	307-1302	A	SOLENOID FUEL SHUT OFF
F1	321-0174	P	FUSE HOLDER
F2	321-0174	P	FUSE - 3 AMP 32V
G1	307-1077	B	GENERATOR
R1	307-1575	P	START SOLENOID
R2	307-1575	P	RELAY - CRANK IGNITION
K3	307-1575	P	RELAY - RUN IGNITION
K4	307-1078	P	RELAY - IGNITION
R1	304-0735	P	RESISTOR - 175 OHM 5W
RR	303-0286	C	RESISTOR - 10 OHM 40W
S1	309-0393	A	SWITCH - START STOP
S2	309-0393	A	SWITCH - BREAKER & CAP ASSY
S3	185-0276	C	SWITCH - COIL OIL PRESS
T1	185-0276	C	COIL - IGNITION
J1	98-3769	B	SILKSCREEN - SCHEMATIC
J2	323-0440	C	SOCKET PLUG - REMOTE
J3	508-0200	A	BUSHING - TERMINAL
W1	338-1111	C	WIRING HARNESS (COIL-REMOTE)
W2	338-1090	C	WIRING HARNESS (CABLE-REMOTE CONTROL) (10 FEET LONG)
W3	338-1081	C	WIRING HARNESS (CABLE-REMOTE CONTROL) (30 FEET LONG)

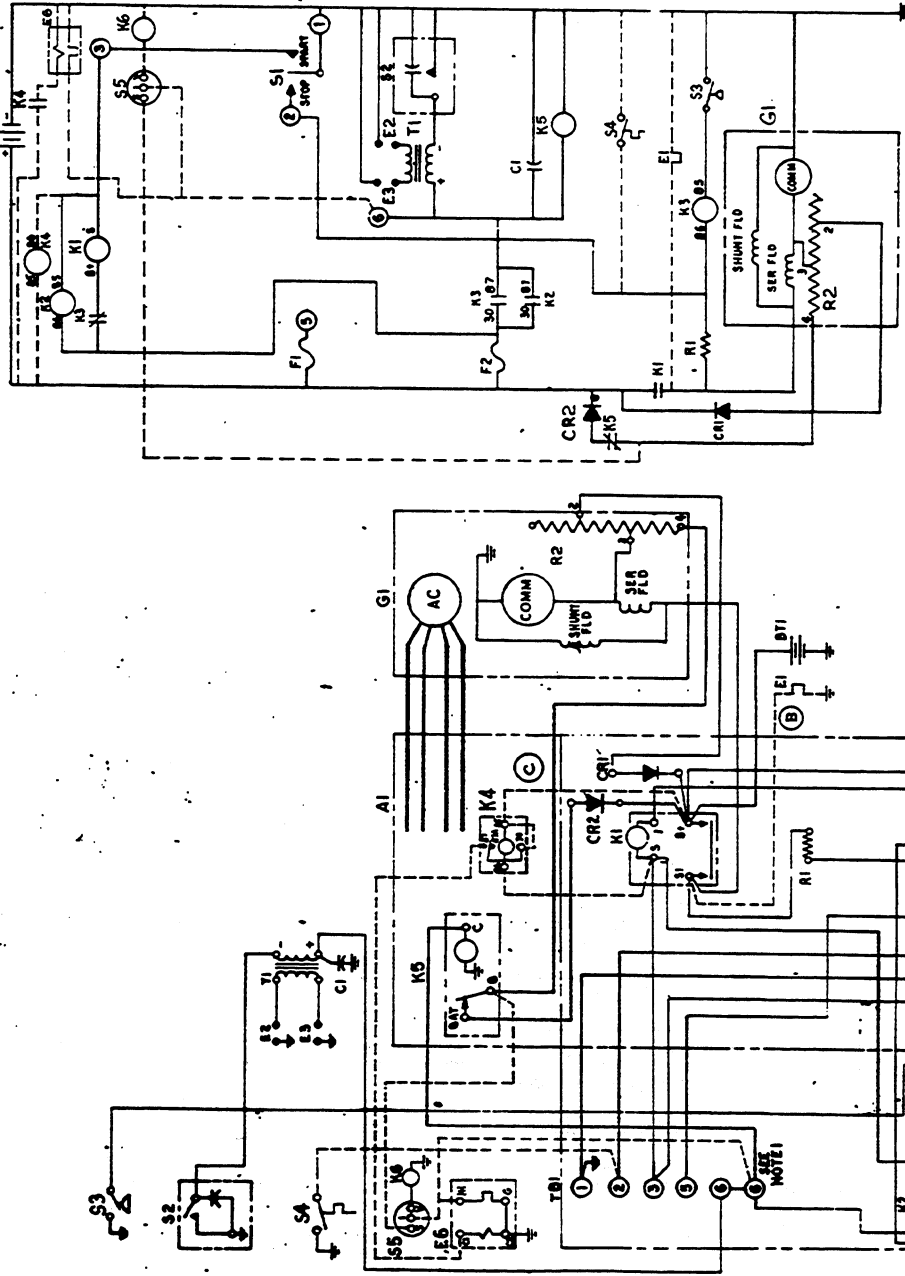
*WHEN USED

3840	ADD WHEN USED TO EA	MINI	MINI	MINI	MINI
1	100-010	100-010	100-010	100-010	100-010
DIVISION OF OHMAY CORPORATION MINNEAPOLIS, MINNESOTA					
REV. 10-12-78					
CONTROL - GEN SET (WIRING DIAGRAM)					
PART NO. 611-1148					

3.0AJ-1R/160175	120V	1PH	60 Hz
ME	SS	F1	S1
✓	✓	✓	✓
✓	✓	✓	✓
✓	✓	✓	✓
✓	✓	✓	✓

611-1152

SCHEMATIC 98-3430



REF DES	PART NO.	QTY	DESCRIPTION
A1	300-1B71 D	1	CONTROL ASSY (-01 + -03)
	307-1632 A	1	RELAY ASSY -02 (SEE NOTE 2)
ALL PART NOS LISTED BELOW ARE REC ONLY			
B1		1	BATTERY - 12V
C1	312-0930	1	CAPACITOR
CR1, 2	337-0030 P	2	RECTIFIER (BATT. CHARGING)
E1		1	CHOKE - OHMAN (-01)
E2		2	SPARK - PLUG
F1, 2	321-0175	2	FUSE HOLDER
	321-0174	2	FUSE - 5 AMP 37V
G1		1	GENERATOR
K1	301-1617 B	1	START SOLENOID
K2	307-1913 P	1	RELAY - CRANK IGNITION
K3	307-1913 P	1	RELAY - RUN IGNITION
R1	332-0461 P	1	RESISTOR - 100 OHM 5W
R2		1	RESISTOR - CHARGE
K6	307-1618 A	1	FUEL SOLENOID (NAT GAS ONLY)
S1	308-0093 A	1	SWITCH - START STOP
S2		1	SWITCH - BREAKER & CAP ASSY
S3	186-0843 C	1	SWITCH - LOW OIL PRESS
T1	186-0843 C	1	COIL - IGNITION
T81	332-0599 A	1	TERMINAL BLOCK
	98-3430 B	1	SILVERGREEN - WD (REF)
S4		1	SWITCH - HIGH AIR TEMP
S5		1	SWITCH - VACUUM (FUEL SOLENOID)
E6		1	CHOKE - THERMO. MAG (-03)

NOTE:
 1. TBI-5 IS FORB. OR REMOTE BATTERY CONDITION METER RUNNING LIGHT.
 2. REMOVE 936-3054 LEAD (E1, K1-S1) FROM 338-1218 HARNESS FOR -02.

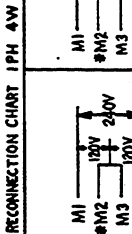
W# VOLTAGE CODE

3C	120/240V, 1PH
4	120/208V, 3PH
5D	120/380V, 3PH
7	220/380V, 3PH
4K	277/480V, 3PH
7X	240/415V, 3PH

AC SLIP RING

M1	M1
M2	M2
M3	M3
M4	M4
M5	M5
M6	M6
M7	M7
M8	M8
M9	M9
M10	M10
M11	M11
M12	M12
M13	M13
M14	M14
M15	M15
M16	M16
M17	M17
M18	M18
M19	M19
M20	M20
M21	M21
M22	M22
M23	M23
M24	M24
M25	M25
M26	M26
M27	M27
M28	M28
M29	M29
M30	M30
M31	M31
M32	M32
M33	M33
M34	M34
M35	M35
M36	M36
M37	M37
M38	M38
M39	M39
M40	M40
M41	M41
M42	M42
M43	M43
M44	M44
M45	M45
M46	M46
M47	M47
M48	M48
M49	M49
M50	M50
M51	M51
M52	M52
M53	M53
M54	M54
M55	M55
M56	M56
M57	M57
M58	M58
M59	M59
M60	M60
M61	M61
M62	M62
M63	M63
M64	M64
M65	M65
M66	M66
M67	M67
M68	M68
M69	M69
M70	M70
M71	M71
M72	M72
M73	M73
M74	M74
M75	M75
M76	M76
M77	M77
M78	M78
M79	M79
M80	M80
M81	M81
M82	M82
M83	M83
M84	M84
M85	M85
M86	M86
M87	M87
M88	M88
M89	M89
M90	M90
M91	M91
M92	M92
M93	M93
M94	M94
M95	M95
M96	M96
M97	M97
M98	M98
M99	M99
M100	M100

* GROUNDED AC LEAD



611-1152

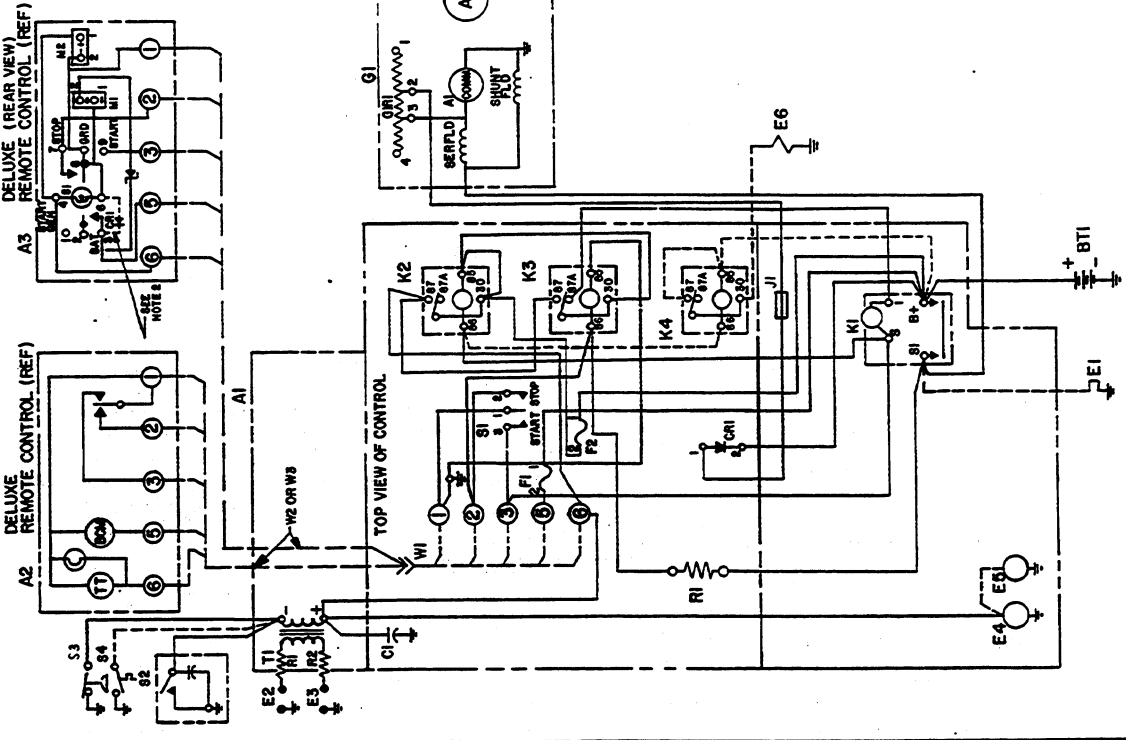
611-11

611-152

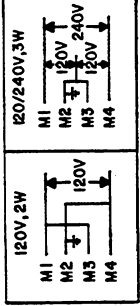
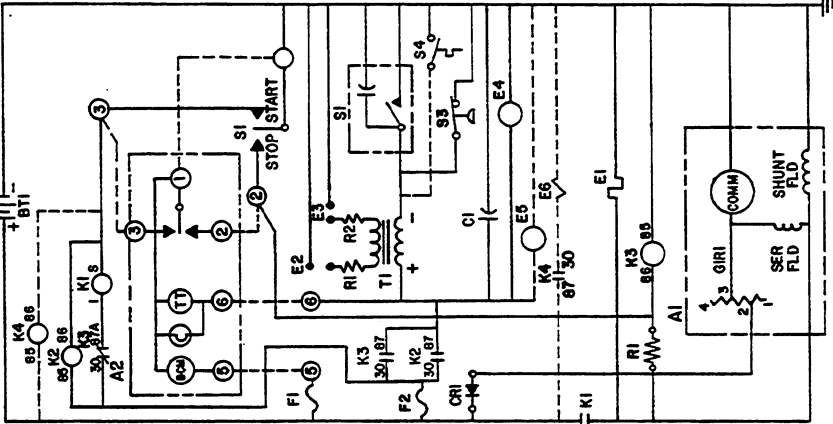
HUNTSVILLE

6

WIRING DIAGRAM



SCHEMATIC



NOTES:

1. REPLACES PC BOARD CONTROL (300-0859) FOR RV.
2. REMOVE CRI FROM 1 & 2 AND JUMPER FROM 1 TO GND (FROM G1) IN GEN END BELL
3. REMOVE 336-3280 LEAD ASSY FROM HARNESS (336-1337 (D)).

REF DES	PART NO.	QTY	DESCRIPTION
A1	300-2028	D	CONTROL ASSY - 01 - 02
K4	307-1872	A	RELAY & LEAD ASSY - 02 (SEE NOTE 3)
ALL PART NOS BELOW ARE REF ONLY			
A2	300-0886	B	DELUXE REMOVE CONTROL
A3	300-0843	B	DELUXE REMOVE CONTROL
B11			BATTERY 12V
C1			CONDENSER
CRI	357-0030	A	RELAY
E2, E3			FUEL PUMP
E4			SOLENOID - FUEL (WHEN USED)
E5			CHOKER - SISON (02)
E6			FUSE (15 AMP, 32V)
F1, F2	321-0174	-	GENERATOR RESISTOR
G1			GENERATOR
K1	332-1506	-	SPLICE - WINDOW
K2	307-1817	P	SOLENOID - START
K3	307-1575	P	RELAY - IGNITION
T1-RI		B	LEAD ASSY - HI TEN
T1-RI		B	LEAD ASSY - HI TEN
RI	332-0181	P	RESISTOR - 100 OHM
S1			SWITCH - START
S2			BREAKER & CAP ASSY
S3			SWITCH - LOW OIL PRESS
S4			SWITCH - HIGH AIR TEMP
T1			COIL - IGNITION
E1			CHOKER - OHAN - 01

611-1157 C

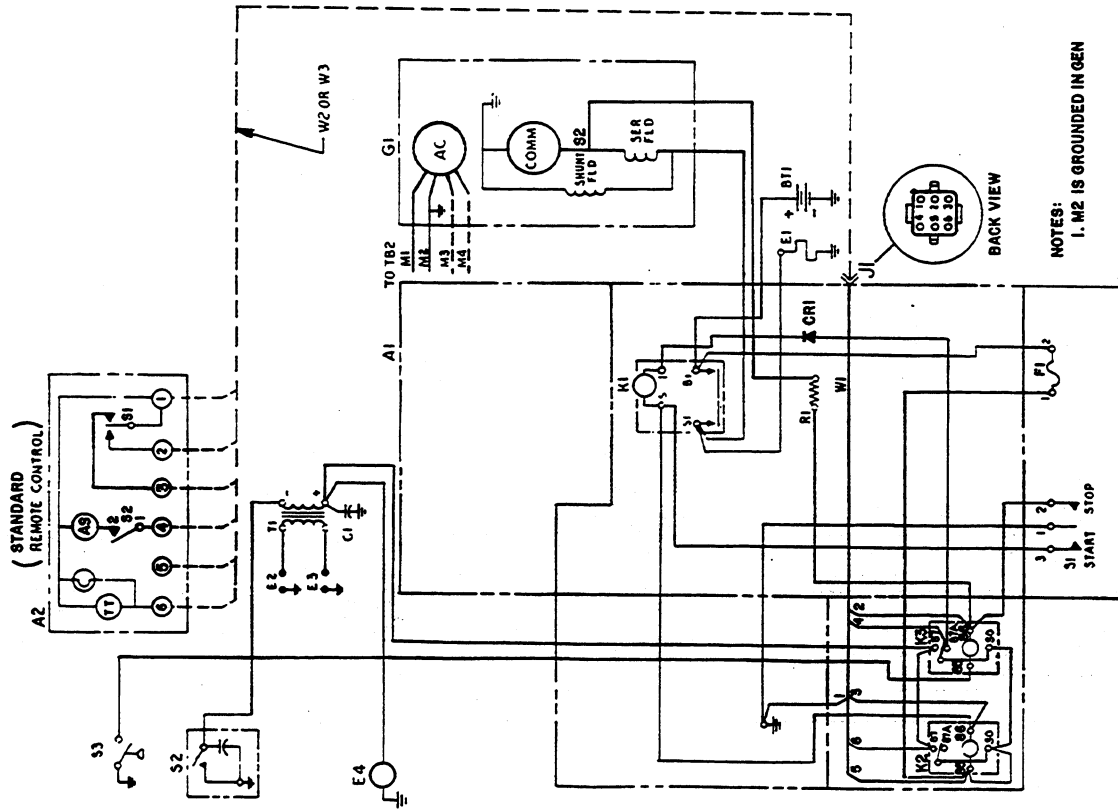
ITEM	QUANTITY	REV	DESCRIPTION OR MATERIAL
8423 B			TBI-2 TO K3-B6 WAS TBI-2 TO T1-
3963 A			K1-B* TO P4-85 WAS K3-30 TO P4-85
1518			RELEASE FOR PROD
ER			REV
LET			REV

ITEM	QUANTITY	REV	DESCRIPTION OR MATERIAL
611-1157			A DIVISION OF OHAN CORPORATION Muskegon, Michigan
CONTROL - GEN SET (WIRING DIAGRAM)			
-01 CCR & NH/15016 & UP			
-02 CCR & NH/15014 & DOWN			
HUNTSVILLE			

ITEM	QUANTITY	REV	DESCRIPTION OR MATERIAL
1	1		120V, 2W
2	1		120V
3	1		120V
4	1		120V/240V, 3W

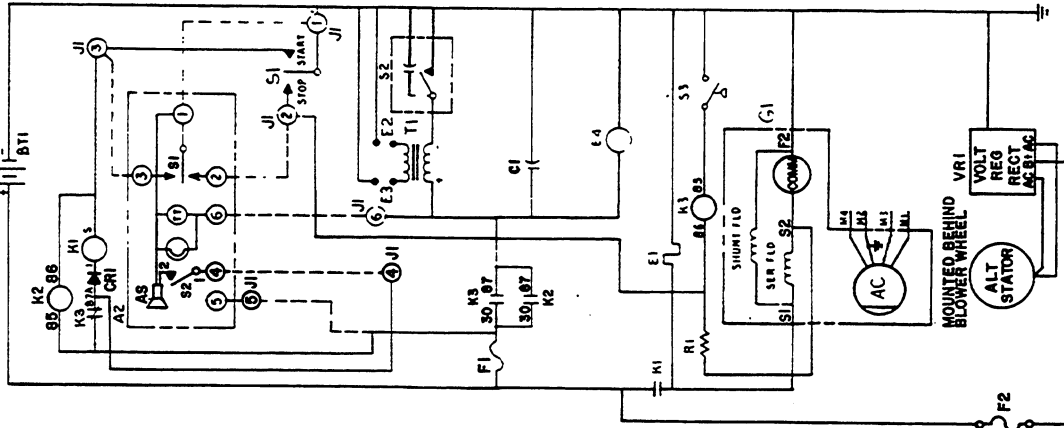
611-1160

WIRING DIAGRAM



NOTES:
1. M2 IS GROUNDED IN GEN

SCHEMATIC



611-1160

PARTS LIST

REF DES	PART NO	QTY	DESCRIPTION
31	300-2169	D	CONTROL ASST - OI
ALL PART NOS LISTED BELOW ARE REF ONLY			
A2	300-2182	C	STANDARD REMOTE CONTROL
B1	312-0050	A	BATTERY - 12V
C1	317-0050	A	CAPACITOR
CRI	357-0030	P	RECTIFIER-SILICON
E1		1	CHOKE - ONAN
E2		2	SPARK - PLUG
E4		1	FUEL PUMP
F1	321-0176	P	FUSE HOLDER, 32V
F2	321-0146	I	IN LINE FUSE, 30 AMP
G1	307-1896	P	RELAY-START SOLENOID
G2	307-1899	P	RELAY-STOP
G3	307-1899	P	RELAY-STOP
R1	304-0161	P	RES-STOP .100 OHM 5W
J1	323-1221	P	CONNECTOR-GAP
S1	308-0181	S	4 EM STOP
S2	308-0181	S	4 EM BRK/STR & 2DP 3557
S3	308-0181	S	4 EM BRK/STR & 2DP 3557
T1	166-0643		TRANSFORMER 6V 5W
VRI	338-1464	A	REGULATOR-RECTIFIER-VOLTAGE

6374	B	WAS RI TO KI-SI	1/11/42	2183
4160	A	ADD CRI (357-0030)	7/11/42	1162
3797		RISE FOR PROT		
ER				

MODEL #1
 DIVISION OF OHAN CORPORATION
 Minneapolis, Minnesota
 9-18-60
 CONTROL - GEN SET
 (WIRING DIAGRAM)
 611-1147
611-1160
 HUNTSVILLE

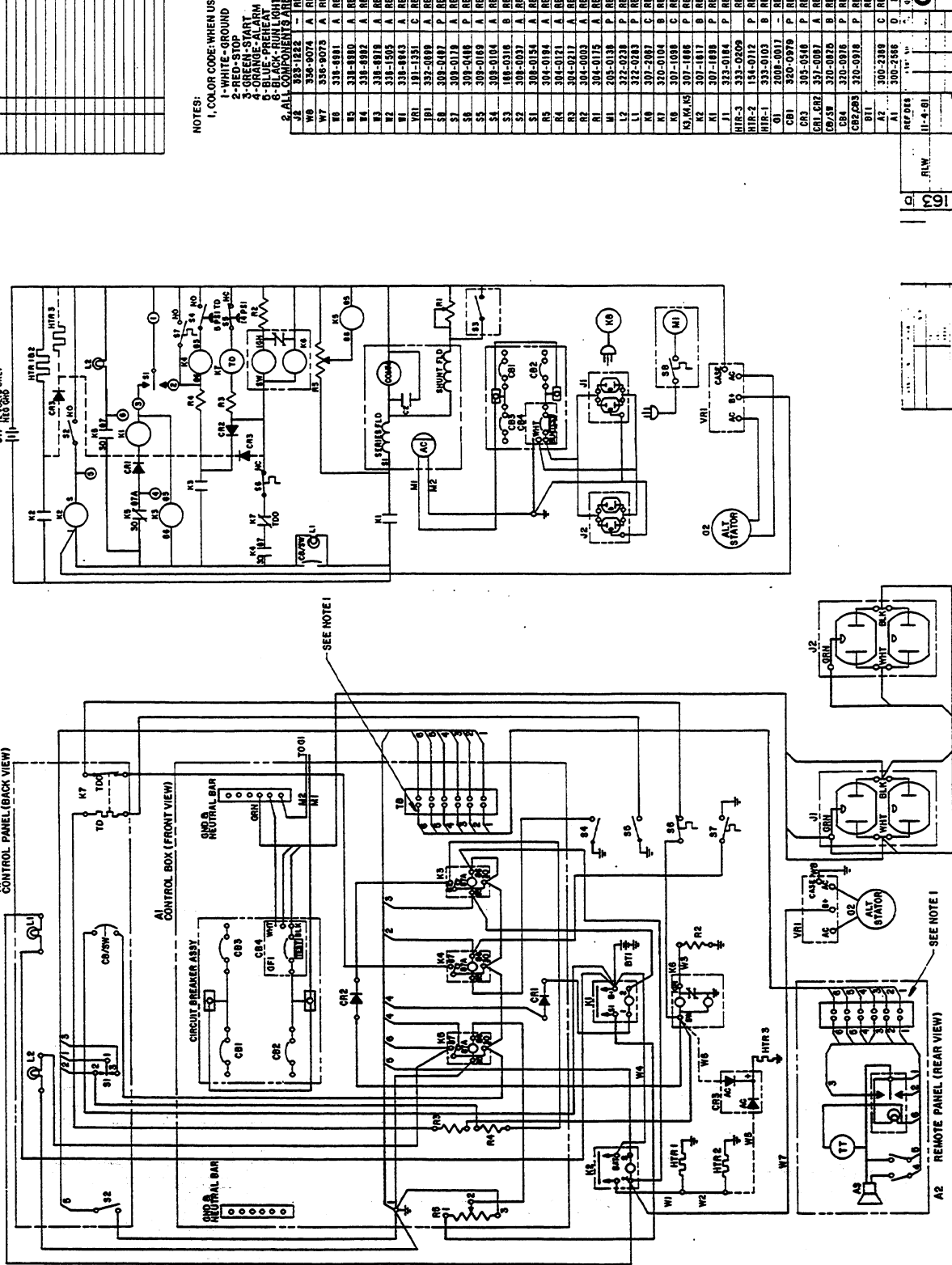
4.0 BFA-IR/25000C	120V	1 PH	60 HZ
6.0 NH-5CR/25000P	4 W		

120V, 2W	M1	
120V, 2W	M2	
120V, 2W	M3	
120V, 2W	M4	

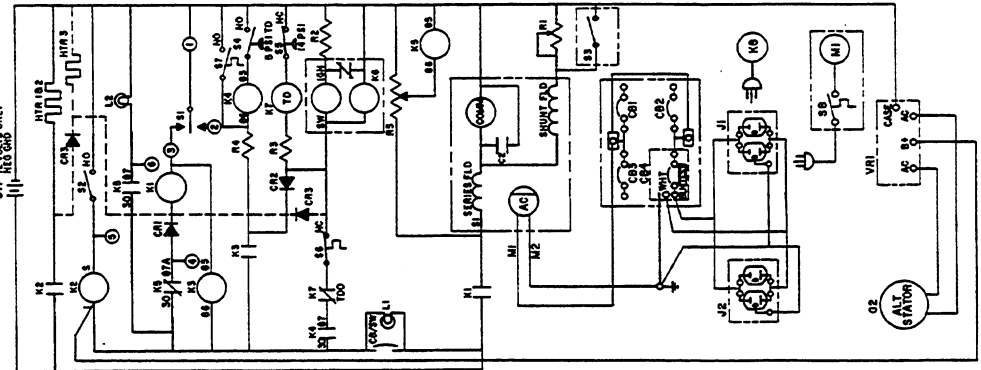
120V, 2W	M1	
120V, 2W	M2	
120V, 2W	M3	
120V, 2W	M4	

REV	DATE	BY	CHK	APP
1				
2				
3				
4				
5				
6				
7				
8				
9				
10				
11				
12				
13				
14				
15				
16				
17				
18				
19				
20				
21				
22				
23				
24				
25				
26				
27				
28				
29				
30				
31				

WIRING DIAGRAM



SCHEMATIC



NOTES:

- 1. COLOR CODE WHEN USED W/SO CABLE, OMAN 334-2116
- 2. WHITE-GROUND
- 3. GREEN-START
- 4. ORANGE-ALARM
- 5. BLUE-PREHEAT
- 6. ALL COMPONENTS ARE SHOWN IN THE DE-ENERGIZED POSITION
- 7. RECEPTACLE-DUPLEX (RDOV, IBA)
- 8. LEAD (VRI-8) TO K2-1)
- 9. LEAD (H1R-2) TO CBA-1)
- 10. LEAD (H1R-2) TO H1-1)
- 11. LEAD (H1R-1) TO H1R-2)
- 12. LEAD (K2 TO H1R-1)
- 13. REGULATOR
- 14. TERMINAL BLOCK (E PL)
- 15. SWITCH-HSD PAN
- 16. THERMOSTAT
- 17. SWITCH-HI WATER TEMP
- 18. SWITCH-OIL PRESSURE
- 19. SWITCH-OIL PRESS
- 20. BREAKER POINT ASSY (C125, G1P)
- 21. SWITCH-LOGS (S201)
- 22. RESISTOR-40A (C90, 25A)
- 23. RESISTOR-FIXED (100, 100)
- 24. RESISTOR-FIXED (100, 100)
- 25. RESISTOR (50, 500)
- 26. RESISTOR (50, 500)
- 27. RESISTOR (50, 500)
- 28. RESISTOR (50, 500)
- 29. RESISTOR (50, 500)
- 30. RESISTOR (50, 500)
- 31. RESISTOR (50, 500)
- 32. RESISTOR (50, 500)
- 33. RESISTOR (50, 500)
- 34. RESISTOR (50, 500)
- 35. RESISTOR (50, 500)
- 36. RESISTOR (50, 500)
- 37. RESISTOR (50, 500)
- 38. RESISTOR (50, 500)
- 39. RESISTOR (50, 500)
- 40. RESISTOR (50, 500)
- 41. RESISTOR (50, 500)
- 42. RESISTOR (50, 500)
- 43. RESISTOR (50, 500)
- 44. RESISTOR (50, 500)
- 45. RESISTOR (50, 500)
- 46. RESISTOR (50, 500)
- 47. RESISTOR (50, 500)
- 48. RESISTOR (50, 500)
- 49. RESISTOR (50, 500)
- 50. RESISTOR (50, 500)
- 51. RESISTOR (50, 500)
- 52. RESISTOR (50, 500)
- 53. RESISTOR (50, 500)
- 54. RESISTOR (50, 500)
- 55. RESISTOR (50, 500)
- 56. RESISTOR (50, 500)
- 57. RESISTOR (50, 500)
- 58. RESISTOR (50, 500)
- 59. RESISTOR (50, 500)
- 60. RESISTOR (50, 500)
- 61. RESISTOR (50, 500)
- 62. RESISTOR (50, 500)
- 63. RESISTOR (50, 500)
- 64. RESISTOR (50, 500)
- 65. RESISTOR (50, 500)
- 66. RESISTOR (50, 500)
- 67. RESISTOR (50, 500)
- 68. RESISTOR (50, 500)
- 69. RESISTOR (50, 500)
- 70. RESISTOR (50, 500)
- 71. RESISTOR (50, 500)
- 72. RESISTOR (50, 500)
- 73. RESISTOR (50, 500)
- 74. RESISTOR (50, 500)
- 75. RESISTOR (50, 500)
- 76. RESISTOR (50, 500)
- 77. RESISTOR (50, 500)
- 78. RESISTOR (50, 500)
- 79. RESISTOR (50, 500)
- 80. RESISTOR (50, 500)
- 81. RESISTOR (50, 500)
- 82. RESISTOR (50, 500)
- 83. RESISTOR (50, 500)
- 84. RESISTOR (50, 500)
- 85. RESISTOR (50, 500)
- 86. RESISTOR (50, 500)
- 87. RESISTOR (50, 500)
- 88. RESISTOR (50, 500)
- 89. RESISTOR (50, 500)
- 90. RESISTOR (50, 500)
- 91. RESISTOR (50, 500)
- 92. RESISTOR (50, 500)
- 93. RESISTOR (50, 500)
- 94. RESISTOR (50, 500)
- 95. RESISTOR (50, 500)
- 96. RESISTOR (50, 500)
- 97. RESISTOR (50, 500)
- 98. RESISTOR (50, 500)
- 99. RESISTOR (50, 500)
- 100. RESISTOR (50, 500)

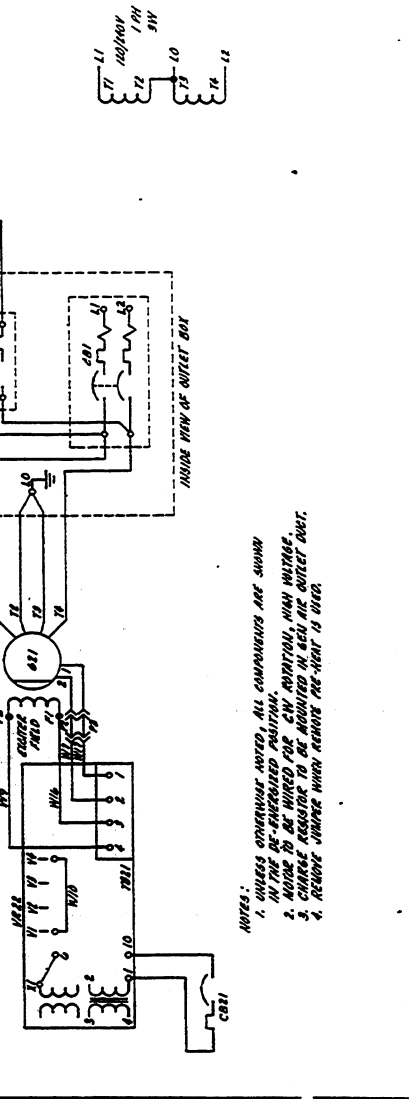
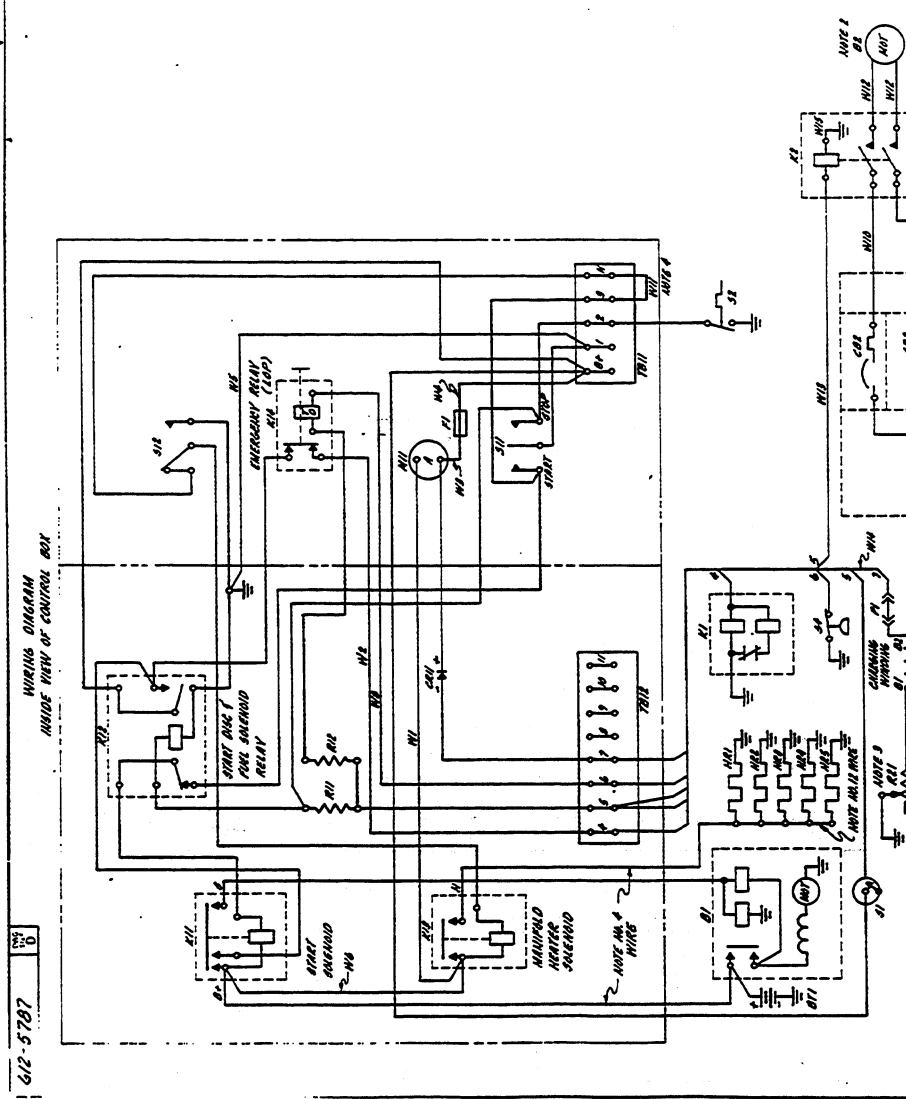
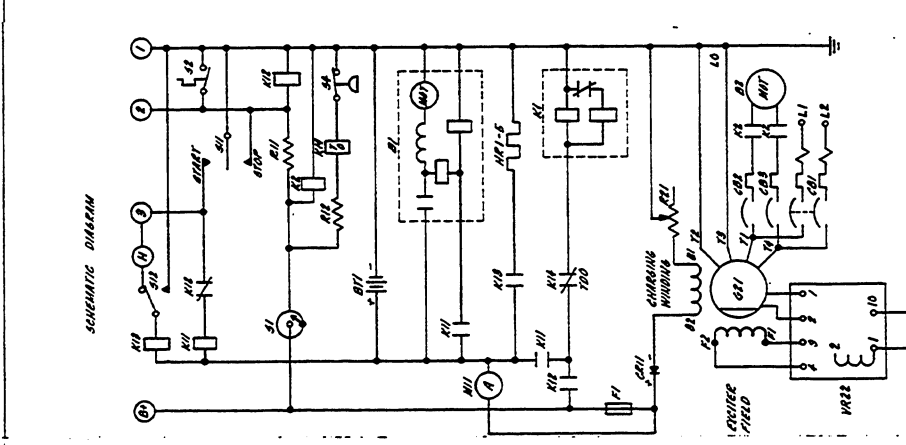
611-1163

3.0 RDJA - AUX 611-1163

CONTROL-GENSET (WD)

Onan

REF DES	PART NO	QUANTITY	DESCRIPTION
1	100-0000	1	CHASSIS - MAIN
2	100-0001	1	CHASSIS - MAIN
3	100-0002	1	CHASSIS - MAIN
4	100-0003	1	CHASSIS - MAIN
5	100-0004	1	CHASSIS - MAIN
6	100-0005	1	CHASSIS - MAIN
7	100-0006	1	CHASSIS - MAIN
8	100-0007	1	CHASSIS - MAIN
9	100-0008	1	CHASSIS - MAIN
10	100-0009	1	CHASSIS - MAIN
11	100-0010	1	CHASSIS - MAIN
12	100-0011	1	CHASSIS - MAIN
13	100-0012	1	CHASSIS - MAIN
14	100-0013	1	CHASSIS - MAIN
15	100-0014	1	CHASSIS - MAIN
16	100-0015	1	CHASSIS - MAIN
17	100-0016	1	CHASSIS - MAIN
18	100-0017	1	CHASSIS - MAIN
19	100-0018	1	CHASSIS - MAIN
20	100-0019	1	CHASSIS - MAIN
21	100-0020	1	CHASSIS - MAIN
22	100-0021	1	CHASSIS - MAIN
23	100-0022	1	CHASSIS - MAIN
24	100-0023	1	CHASSIS - MAIN
25	100-0024	1	CHASSIS - MAIN
26	100-0025	1	CHASSIS - MAIN
27	100-0026	1	CHASSIS - MAIN
28	100-0027	1	CHASSIS - MAIN
29	100-0028	1	CHASSIS - MAIN
30	100-0029	1	CHASSIS - MAIN
31	100-0030	1	CHASSIS - MAIN
32	100-0031	1	CHASSIS - MAIN
33	100-0032	1	CHASSIS - MAIN
34	100-0033	1	CHASSIS - MAIN
35	100-0034	1	CHASSIS - MAIN
36	100-0035	1	CHASSIS - MAIN
37	100-0036	1	CHASSIS - MAIN
38	100-0037	1	CHASSIS - MAIN
39	100-0038	1	CHASSIS - MAIN
40	100-0039	1	CHASSIS - MAIN
41	100-0040	1	CHASSIS - MAIN
42	100-0041	1	CHASSIS - MAIN
43	100-0042	1	CHASSIS - MAIN
44	100-0043	1	CHASSIS - MAIN
45	100-0044	1	CHASSIS - MAIN
46	100-0045	1	CHASSIS - MAIN
47	100-0046	1	CHASSIS - MAIN
48	100-0047	1	CHASSIS - MAIN
49	100-0048	1	CHASSIS - MAIN
50	100-0049	1	CHASSIS - MAIN
51	100-0050	1	CHASSIS - MAIN
52	100-0051	1	CHASSIS - MAIN
53	100-0052	1	CHASSIS - MAIN
54	100-0053	1	CHASSIS - MAIN
55	100-0054	1	CHASSIS - MAIN
56	100-0055	1	CHASSIS - MAIN
57	100-0056	1	CHASSIS - MAIN
58	100-0057	1	CHASSIS - MAIN
59	100-0058	1	CHASSIS - MAIN
60	100-0059	1	CHASSIS - MAIN
61	100-0060	1	CHASSIS - MAIN
62	100-0061	1	CHASSIS - MAIN
63	100-0062	1	CHASSIS - MAIN
64	100-0063	1	CHASSIS - MAIN
65	100-0064	1	CHASSIS - MAIN
66	100-0065	1	CHASSIS - MAIN
67	100-0066	1	CHASSIS - MAIN
68	100-0067	1	CHASSIS - MAIN
69	100-0068	1	CHASSIS - MAIN
70	100-0069	1	CHASSIS - MAIN
71	100-0070	1	CHASSIS - MAIN
72	100-0071	1	CHASSIS - MAIN
73	100-0072	1	CHASSIS - MAIN
74	100-0073	1	CHASSIS - MAIN
75	100-0074	1	CHASSIS - MAIN
76	100-0075	1	CHASSIS - MAIN
77	100-0076	1	CHASSIS - MAIN
78	100-0077	1	CHASSIS - MAIN
79	100-0078	1	CHASSIS - MAIN
80	100-0079	1	CHASSIS - MAIN
81	100-0080	1	CHASSIS - MAIN
82	100-0081	1	CHASSIS - MAIN
83	100-0082	1	CHASSIS - MAIN
84	100-0083	1	CHASSIS - MAIN
85	100-0084	1	CHASSIS - MAIN
86	100-0085	1	CHASSIS - MAIN
87	100-0086	1	CHASSIS - MAIN
88	100-0087	1	CHASSIS - MAIN
89	100-0088	1	CHASSIS - MAIN
90	100-0089	1	CHASSIS - MAIN
91	100-0090	1	CHASSIS - MAIN
92	100-0091	1	CHASSIS - MAIN
93	100-0092	1	CHASSIS - MAIN
94	100-0093	1	CHASSIS - MAIN
95	100-0094	1	CHASSIS - MAIN
96	100-0095	1	CHASSIS - MAIN
97	100-0096	1	CHASSIS - MAIN
98	100-0097	1	CHASSIS - MAIN
99	100-0098	1	CHASSIS - MAIN
100	100-0099	1	CHASSIS - MAIN
101	100-0100	1	CHASSIS - MAIN



- NOTES:
1. UNLESS OTHERWISE NOTED, ALL COMPONENTS ARE SHOWN IN THE DE-ENERGIZED POSITION.
 2. WIRES TO BE WIRED FOR 240V AC INPUT, 115V OUTPUT.
 3. CHANGE RESISTOR TO BE ADJUSTED TO 250 OHM OUTPUT WIRE.
 4. REMOVE JUMPER WHEN REMOVE AC-HEAT IS USED.

612-5787

REV D

UNLESS SHOWN OTHERWISE, ALL DIMENSIONS ARE IN INCHES.

DATE: 11/15/50

DESIGNED BY: [Name]

DRAWN BY: [Name]

CHECKED BY: [Name]

APPROVED BY: [Name]

PROJECT: 612-5787

ISSUE: 1

DESCRIPTION: WIRING DIAGRAM

QUANTITY: 1

DATE: 11/15/50

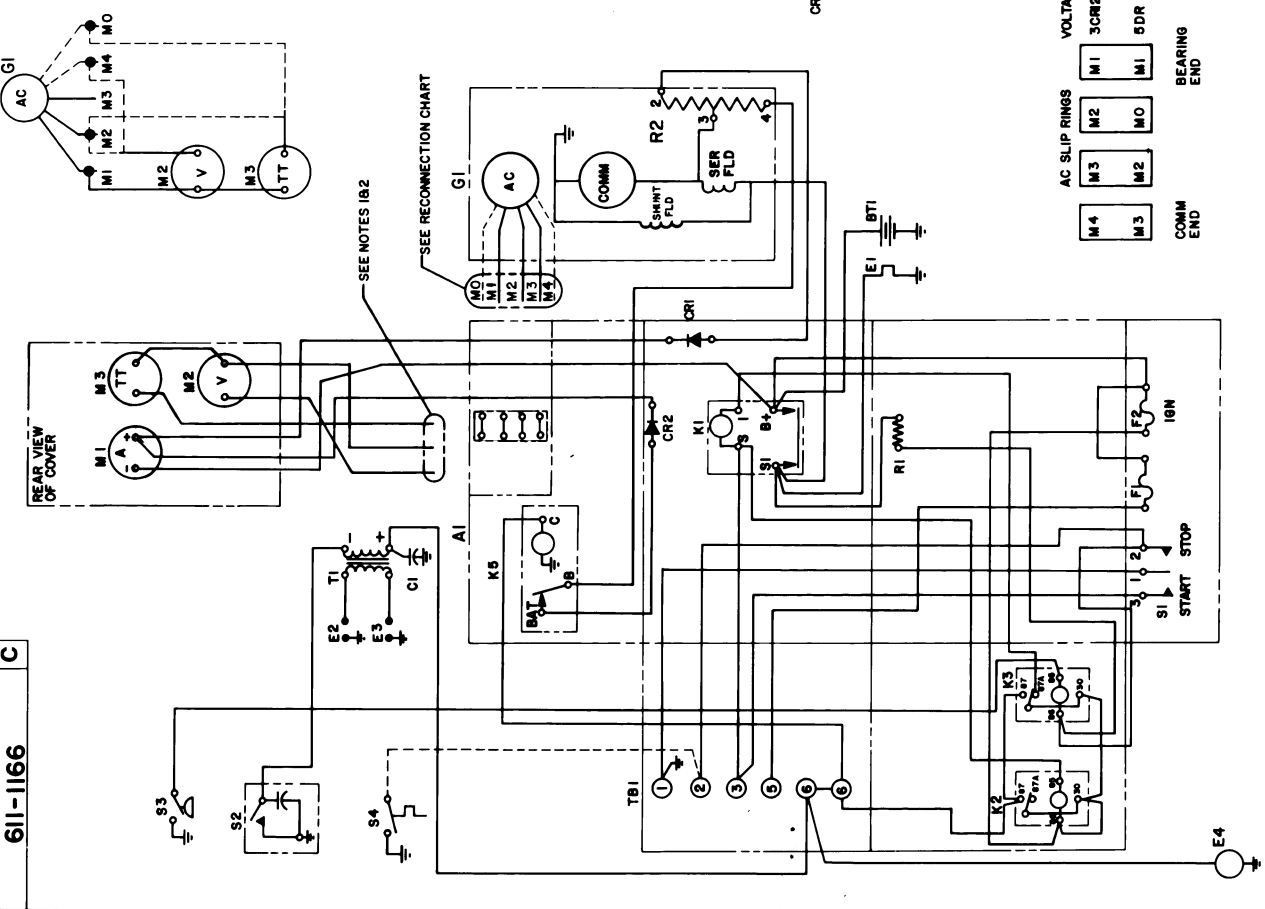
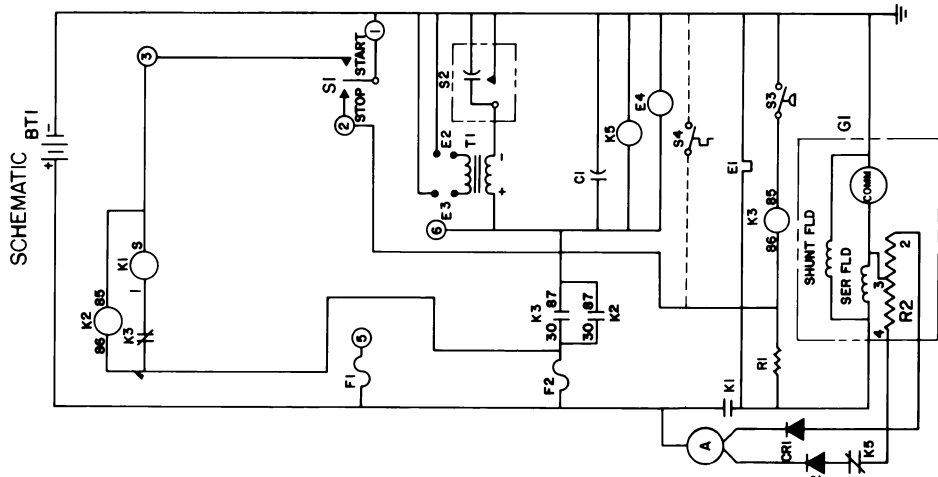
BY: [Name]

FOR: [Name]

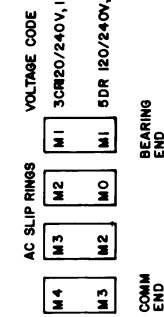
FILE NO: 612-5787

REV: D

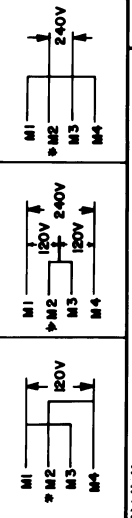
REF DES	PART NO.	QTY	DESCRIPTION
A1	300-2749	D	CONTROL ASSY -OI
ALL PARTS LISTED BELOW ARE REF ONLY			
BT1			BATTERY - 12 VOLT
CI	312-0050	A	CAPACITOR
CR1,2	357-0030	P	RECTIFIER (BATT CHARGING)
E1			CHOKE - ONAN
E2,3			2 SPARK-PLUG
E4	149-1547	B	FUEL PUMP (OR FUEL SOLENOID)
FI,2	321-0175	P	FUSE HOLDER
	321-0174	2	FUSE - 5 AMP 32 VOLT
G1			GENERATOR
K1	307-1617	B	START SOLENOID
K2	307-1675	P	RELAY - CRANK IGNITION
K3	307-1675	P	RELAY - RUN IGNITION
R1	332-0161	P	RESISTOR - 100 ohm 5W
R2			RESISTOR
K3			RELAY - CHARGE
S1	308-0363	A	SWITCH - START STOP
S2			SWITCH - BREAKER & CAP ASSY
S3			SWITCH - LOW OIL PRESS
T1	166-0643	C	COIL - IGNITION
TBI	332-0699	A	TERMINAL - BLOCK
S4			SWITCH HIGH AIR TEMP (WHEN USED)
M1	302-0058	A	AMMETER - DC
M2	302-0651	P	AC - VOLT METER
M3	302-0787	A	METER - TIME TOTALIZING
	98-5010	B	SILKSCREEN - WIRING DIAG



- NOTES:
- CONNECT RUNNING TIME METER TO LEADS M1 & M2 FOR 3CR GEN & TO LEADS M1 & M0 FOR 5DR GEN
 - CONNECT VOLT METER TO LEADS M1 & M4 FOR 3CR GEN & TO LEADS M1 & M2 FOR 5DR GEN
 - VOLTMETER IS INOPERATIVE ON 120V, 2W CONNECTIONS
RUNNING TIME METER IS INOPERATIVE ON 240V, 2W CONNECTIONS
GROUND AC LEAD



RECONNECTION CHART 1PH 4W (SEE NOTE 3)



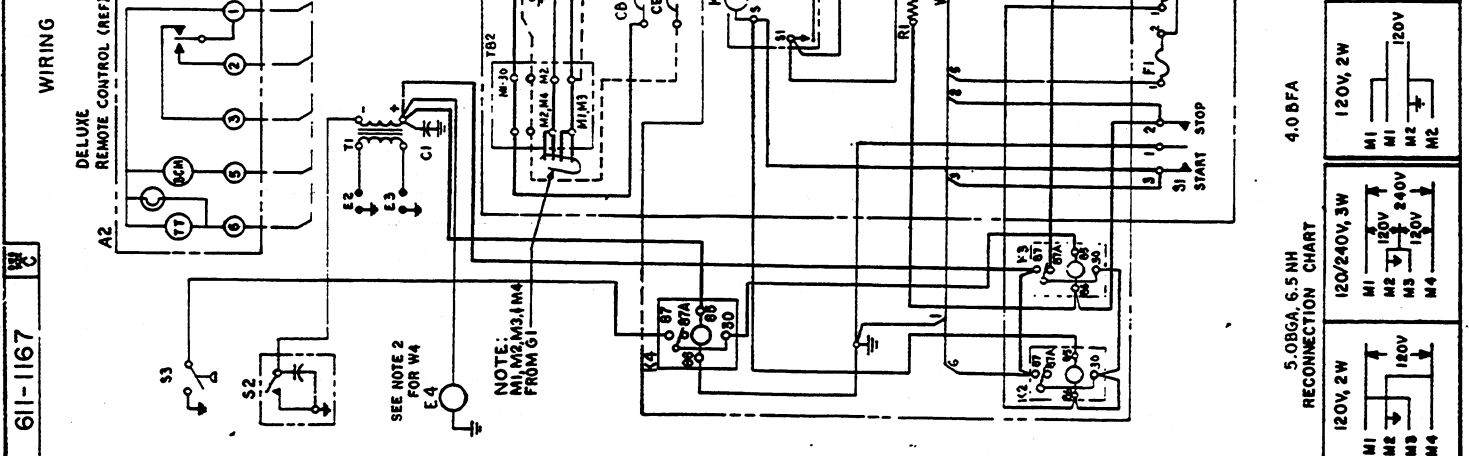
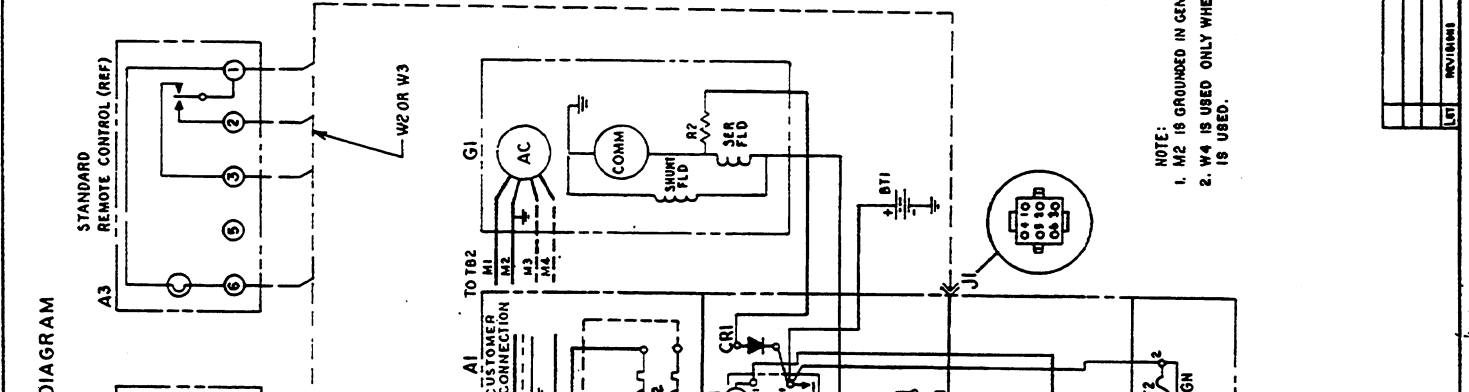
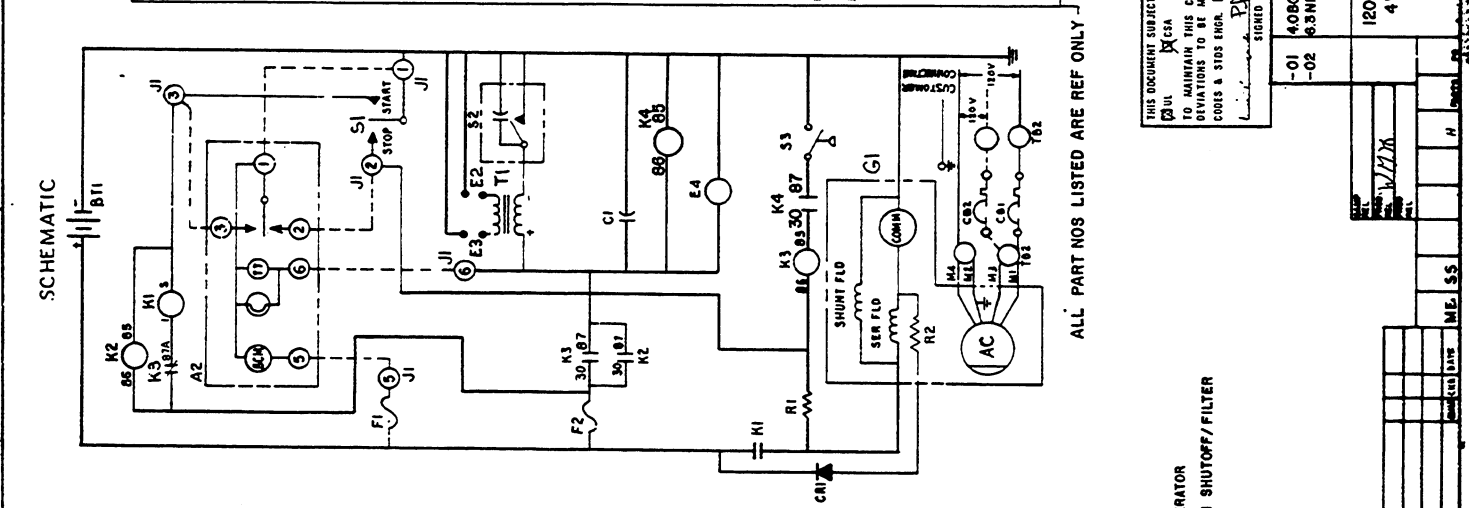
FR NO.	REV. NO.	REVISION	FR NO.	REV. NO.	DATE
25801	C	FUEL PUMP WAS 149-1542			1-30-85
23772	B	K1-1 WAS K1-B+			2-7-84
23772	B	LEAD CR2 WAS TO M1 -			2-7-84
21306	-	RISE FOR PROD			

TOLERANCES UNLESS OTHERWISE SPECIFIED	FR NO.	REV. NO.	DATE
INCH	611-1166	C	11-2-82
MILL			1-13-83
ANGLES			1-6-83

DR	INITIAL	SEC	PUR	ME
JC				
KA				
WH				
W/H				
W/H				
W/H				
W/H				
W/H				
W/H				

6.5NH-5DR/10000P
3CR/10000P
611-1166

REF DES	PART NO.	QTY	DESCRIPTION
	300-2876 D	1	CONTROL ASSY (01) 30 AMP
	300-2876 D	1	CONTROL ASSY (02) 30 AMP
	300-0988 B	1	DELUXE REMOTE CONTROL
	300-0988 B	1	STANDARD REMOTE CONTROL
	312-0050 A	1	BATTERY - 12V
	357-0030 P	1	RECTIFIER (BATT. CHARGING)
	E1	1	CHOKE - 0.1MH (NOT USED WITH LPO)
	E2, 3	2	SPARK - PLUG
	E4	1	FUEL PUMP OR SHUTOFF/FILTER-LPO
	F1, 2	2	FUSE HOLDER
	321-0175 P	2	FUSE - 5 AMP 32V
	G1	1	GENERATOR
	307-1617 B	1	START SOLENOID
	307-1973 P	1	RELAY - CRANK IGNITION
	307-1973 P	1	RELAY - RUN IGNITION
	304-0431 P	1	RESISTOR - 150 OHM 5W
	R7	1	RESISTOR
	K4	1	RELAY
	J1	1	SOCKET PLUG - REMOTE
	S1	1	SWITCH - START STOP
	S2	1	SWITCH - BREAKER & CAP ASSY
	S3	1	SWITCH - LOW OIL PRESS
	T1	1	COIL - IGNITION
	T2	1	TERMINAL BOARD
	332-0254 A	1	SILVERSCREEN - SC-1EM17C
	98-0842 B	1	CIRCUIT BREAKER 30 AMP (C02)
	C01	1	CIRCUIT BREAKER 30 AMP (C02)
	C02	1	CIRCUIT BREAKER 30 AMP (C02)
	B1	1	WIRING HARNESS (COIL-REMOTE)
	B2	1	WIRING HARNESS (CABLE-REMOTE CONTROL) (10 FEET LONG)
	B3	1	WIRING HARNESS (CABLE-REMOTE CONTROL) (30 FEET LONG)
	W4	1	LEAD ASSY (SHUTOFF/ELECTRONLY)



611-1167	REF C
----------	-------

ALL PART NOS LISTED ARE REF ONLY

* WHEN USED

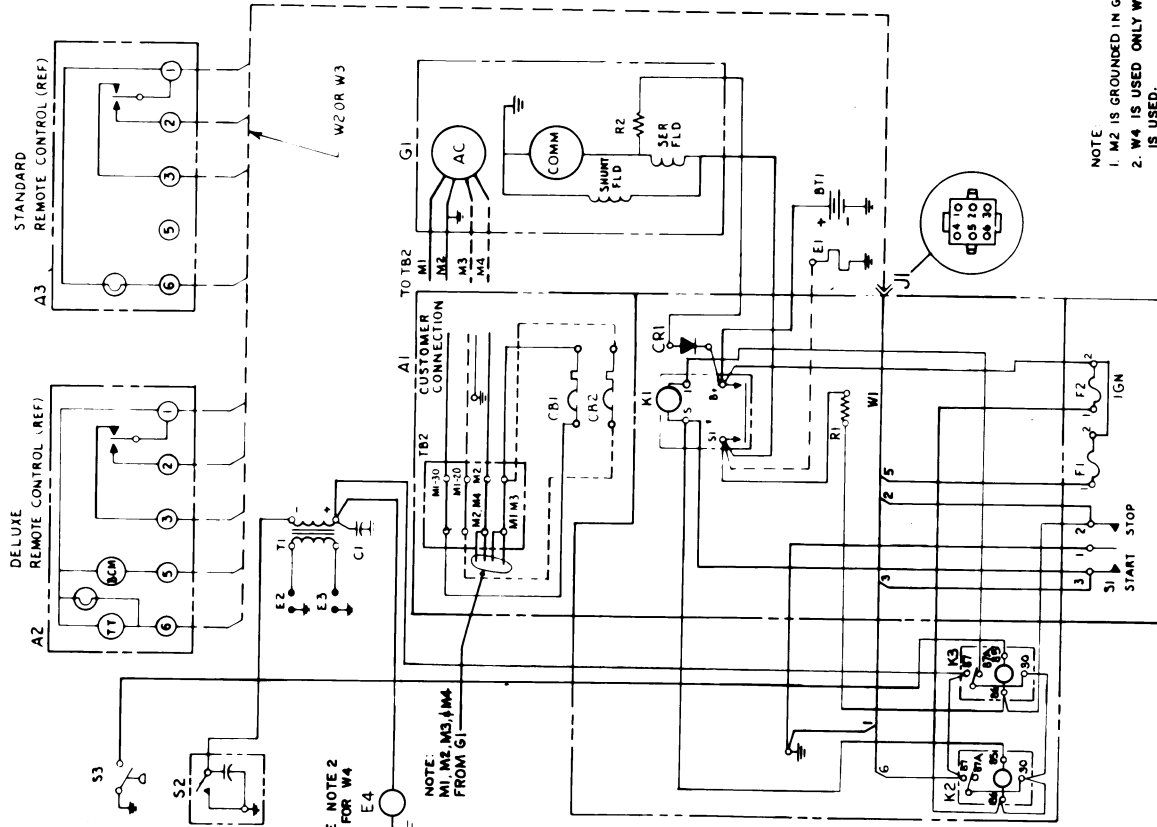
THIS DOCUMENT SUBJECT TO FOLLOWING STANDARDS/CODES
 MIL-STD-883C
 TO MAINTAIN THIS COMPLIANCE, NO CHANGES OR DEVIATIONS TO BE MADE W/O APPROVAL OF:
 CODES & STDS ENGR. (DUSP) (DUP) (DROD)
 SIGNED: [Signature] DATE: [Date]

PROJ. FILE NO. 23159
 DIVISION OF OHAN CORPORATION
 Minneapolis, Minnesota

10-17-83 J.C. [Signature]
 CONTROL - GEN SET (WIRING DIAGRAM)

611-1146 611-1167

WIRING DIAGRAM

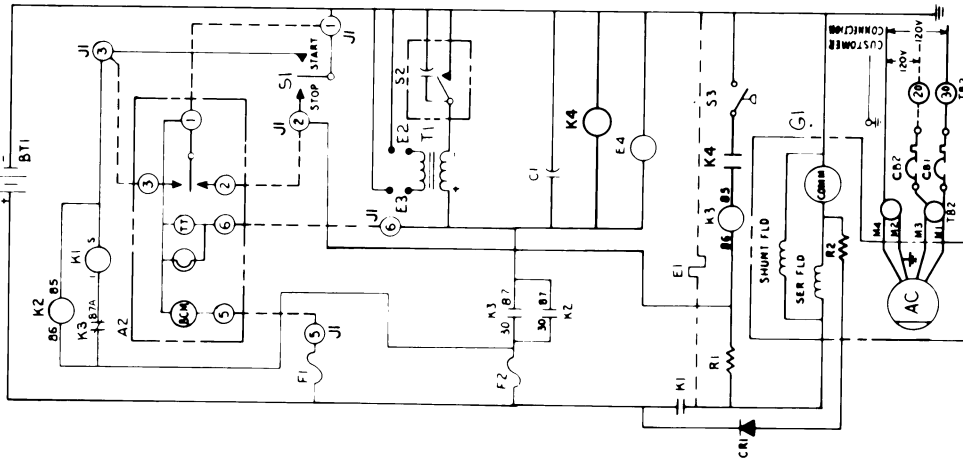


SEE NOTE 2 FOR W4 E4

NOTE: M1, M2, M3, M4 FROM G1

- NOTE
- M2 IS GROUNDED IN GENERATOR
 - W4 IS USED ONLY WHEN SHUTOFF / FILTER IS USED.

SCHEMATIC



PARTS LIST

REF. DES	PART NO.	QTY	DESCRIPTION
	300-2708 D	1	CONTROL ASSY -O1
	300-2709 D	1	CONTROL ASSY -O2
ALL PART NOS LISTED BELOW ARE REF ONLY			
47	300 0986 B	1	DELUXE REMOTE CONTROL
48	300 0985 B	1	STANDARD REMOTE CONTROL
B11		1	BATTERY 12V
C1	312 0050 4	1	CAPACITOR
CB1	320-0544 C	1	CIRCUIT BREAKER 30AMP (-O1, -O2)
CB2	320-0544 A	1	CIRCUIT BREAKER 30AMP (-O2)
CR1	357-0030 P	1	RECTIFIER (BATT. CHARGING)
E1		1	CHOKE - ONAN (NOT USED WITH LP6)
E2,3		2	SPARK - PLUG
E4		1	FUEL PUMP OR SHUTOFF/FILTER LP6
F1,2	421 0115 P,2	2	FUSE HOLDER
F2	321 0114 2	2	FUSE 5 AMP 32V
G1		1	GENERATOR
K2	307-1617 B	1	START SOLENOID
K3	307-1575 P	1	RELAY - CRANK IGNITION
K4	307-1575 P	1	RELAY - RUN IGNITION
R1	304 0443 P	1	RESISTOR 150 OHM 5W
J1	323-0440 C	1	SOCKET PLUG REMOTE
S1	308 0383 4	1	SWITCH START STOP
S2		1	SWITCH BREAKER & CAP ASSY
T1	66 0643 C	1	SWITCH LOW OIL PRESS
		1	COLLIGNITION
		1	611-1169
TB2	98-5242 B	1	SILKSCREEN - SCHEMATIC
	332-0254 A	1	TERMINAL BOARD
		1	WIRING HARNESS (CONN. REMOTE)
		1	WIRING HARNESS (CABLE REMOTE)
		1	CONTROL WIRE SET (LONG)
		1	WIRING HARNESS (CABLE REMOTE)
		1	CONTROL WIRE SET (LONG)
W4	336-9679 A	1	LEAD ASSY (SHUTOFF/FILTR ONLY)

2315B - PROD RLSE

611-1169

DIVISION OF ONAN CORPORATION
 Minneapolis, Minnesota

11-8-83 JC WAK

CONTROL GEN SET
 (WIRING DIAGRAM)

611-1147

611-1169

ME 55 120 V 1 PH 60 HZ 4 W

-O1 4.0BGA-IR/160/4C
 -O2 6.3NHL-3CR/160/4P

THIS DOCUMENT SUBJECT TO FOLLOWING STANDARDS/CODES:
 MIL-STD-883C
 TO MAINTAIN THIS COMPLIANCE, NO CHANGES OR DEVIATIONS TO BE MADE W/O APPROVAL OF CODES & STDS ENGR. (USPP) RPP RB33

DATE: 11-8-83

RECONNECTION CHART

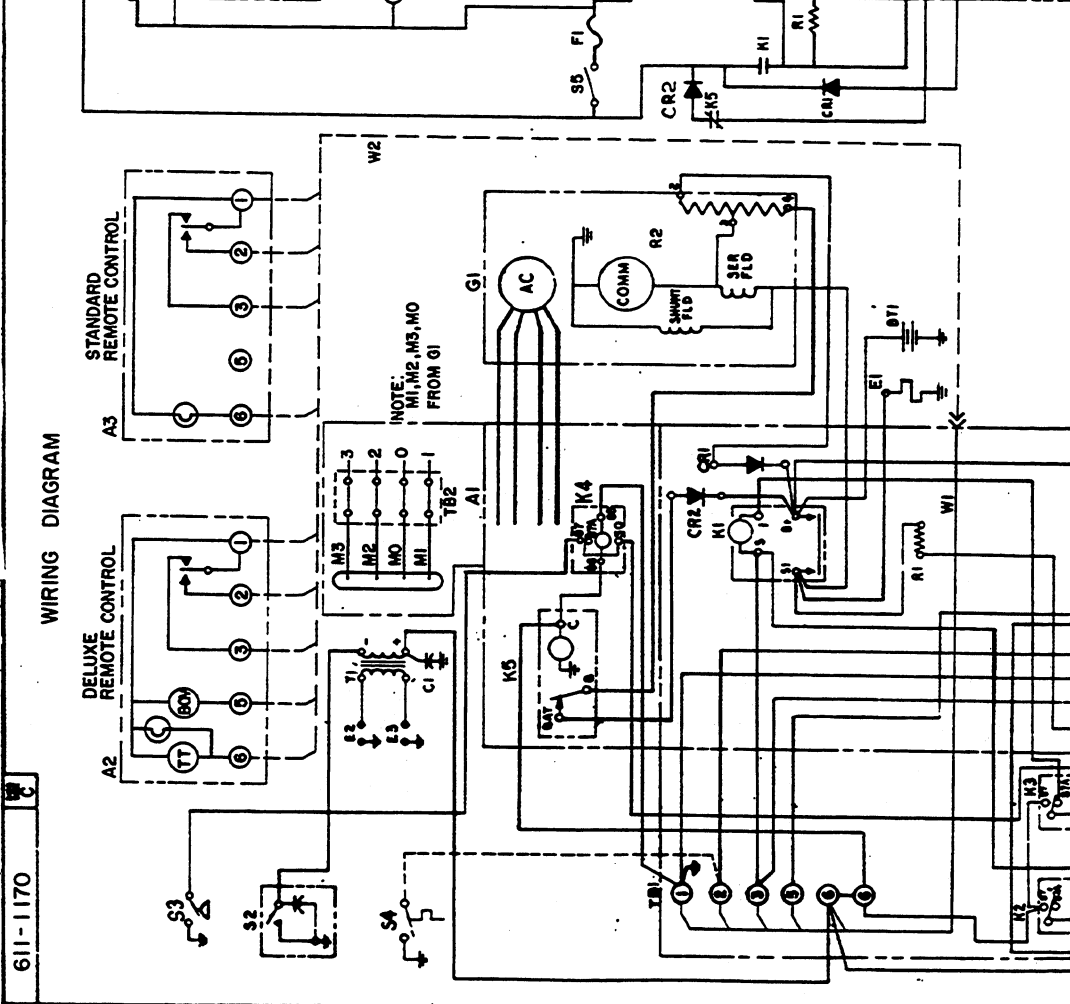
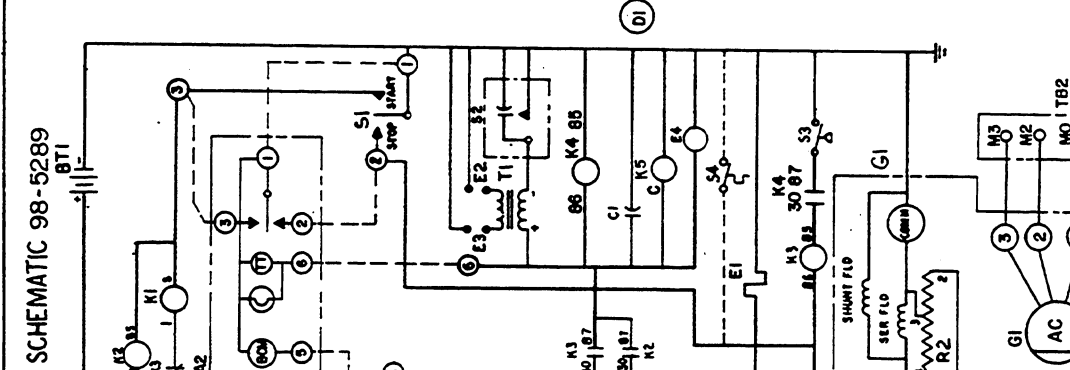
5.0BGA, 6.5NH
 120V, 2W

4.0BFA
 120V, 2W

M1 M2 M3 M4

REF DES	PART NO.	QTY	DESCRIPTION
A1	300-2907 D	1	CONTROL ASSY (-O1)
ALL PART NOS LISTED BELOW ARE REF ONLY			
B1	312-0050	1	BATTERY - 12V
C1	312-0050	1	CAPACITOR
CH1,2	337-0030 P 2		RECTIFIER (BATT. CHARGING)
E1		1	CHOKE - ONAN
E2,3		7	MARK - PLUS
F4	149-1542	1	FUEL PUMP 601 OR FUEL SOLENOID
F1	321-0115	1	FUSE HOLDER
	321-0148	1	FUSE - 10 AMP 32V
G1		1	GENERATOR
H1	301-1617 B	1	START SOLENOID
H2	301-1915 P	1	RELAY - CRANK IGNITION
H3	301-1515 P	1	RELAY - RUN IGNITION
H4	332-0067 P	1	RESISTOR - 100 OHM 5W
H5		1	RESISTOR
K4	307-1676 A	1	RELAY - CHARGE
K6		1	RELAY
K4	308-0383 A	1	FUEL SOLENOID (NAT GAS ONLY)
S1		1	SWITCH - START STOP
S2		1	SWITCH - BATTERY CAP ASST
S3		1	SWITCH - LAMP PRESS
T1	188-0843 C	1	COIL - IGNITION
TB1	332-0699 A	1	TERMINAL BLOCK
TB2	332-0264 A	1	TERMINAL BLOCK
S4		1	SWITCH - HIGH AIR TEMP
S5		1	SWITCH - BT (ON-OFF)
W1	338-1078 C	1	WIRING HARNESS (CONN-REMOTE)
W2	338-1821 B	1	WIRING HARNESS (CABLE-REMOTE)

REF DES	PART NO.	QTY	DESCRIPTION
24960	D	1	ADDED 332-0264
24390	C	1	ADDED E1, CHOKE
24091	B	1	WAS 5D 120/240V, 3PH
23800	-		PROD FLSE
ERINO	371	NO. 1	REVISED



RECONNECTION CHART 1PH 4W

M1	M2	M3	M4
100V	240V	240V	120V

AC SLIPRING

M1	M2	M3	M4
240V	240V	240V	240V

* GROUNDED AC LEAD

M1	M2	M3	M4
100V	240V	240V	120V

VOLTAGE CODE

- 3C 120/240V, 1PH
- 4 120/208V, 3PH
- 5D 120/240V, 3PH
- 7 230/200V, 3PH
- 4X 277/480V, 3PH
- 7X 240/480V, 3PH

STARTING END

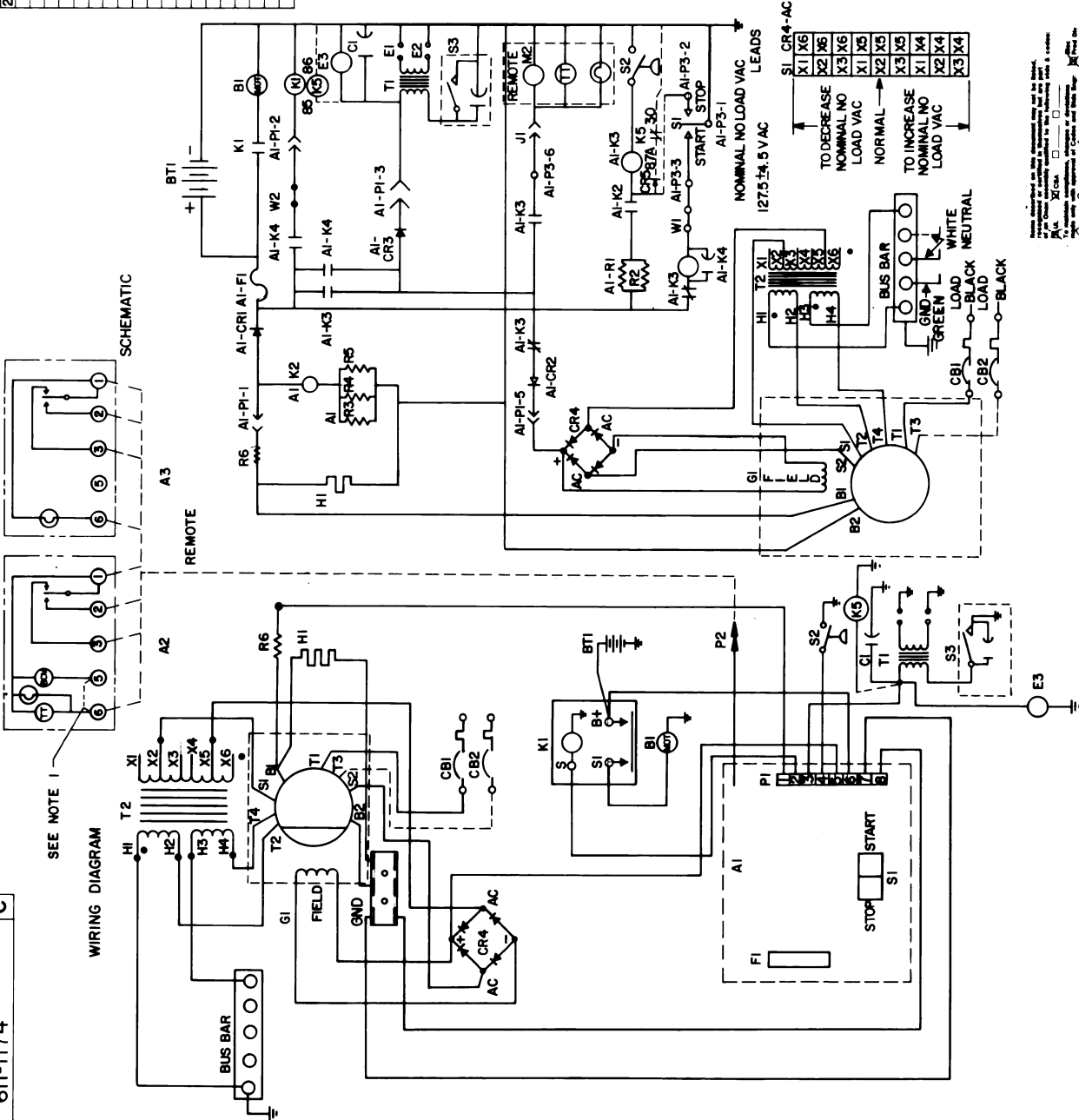
M1	M1	M1	M1
M2	M2	M2	M2
M3	M3	M3	M3
M4	M4	M4	M4

GROUNDING END

M1	M1	M1	M1
M2	M2	M2	M2
M3	M3	M3	M3
M4	M4	M4	M4

611-1170

NOTES:
1. JUMPER IS NEEDED FOR BATTERY CONDITION METER



WIRING DIAGRAM

SCHEMATIC

REMOTE

BATTERY

Do	Form	Inch	X ±
Scale	XX ±	XX ±	XX ±
PHMT	XX ±	XX ±	XX ±
Angles	±0.15	±0.08	±0.02
Drawn to	NONE		

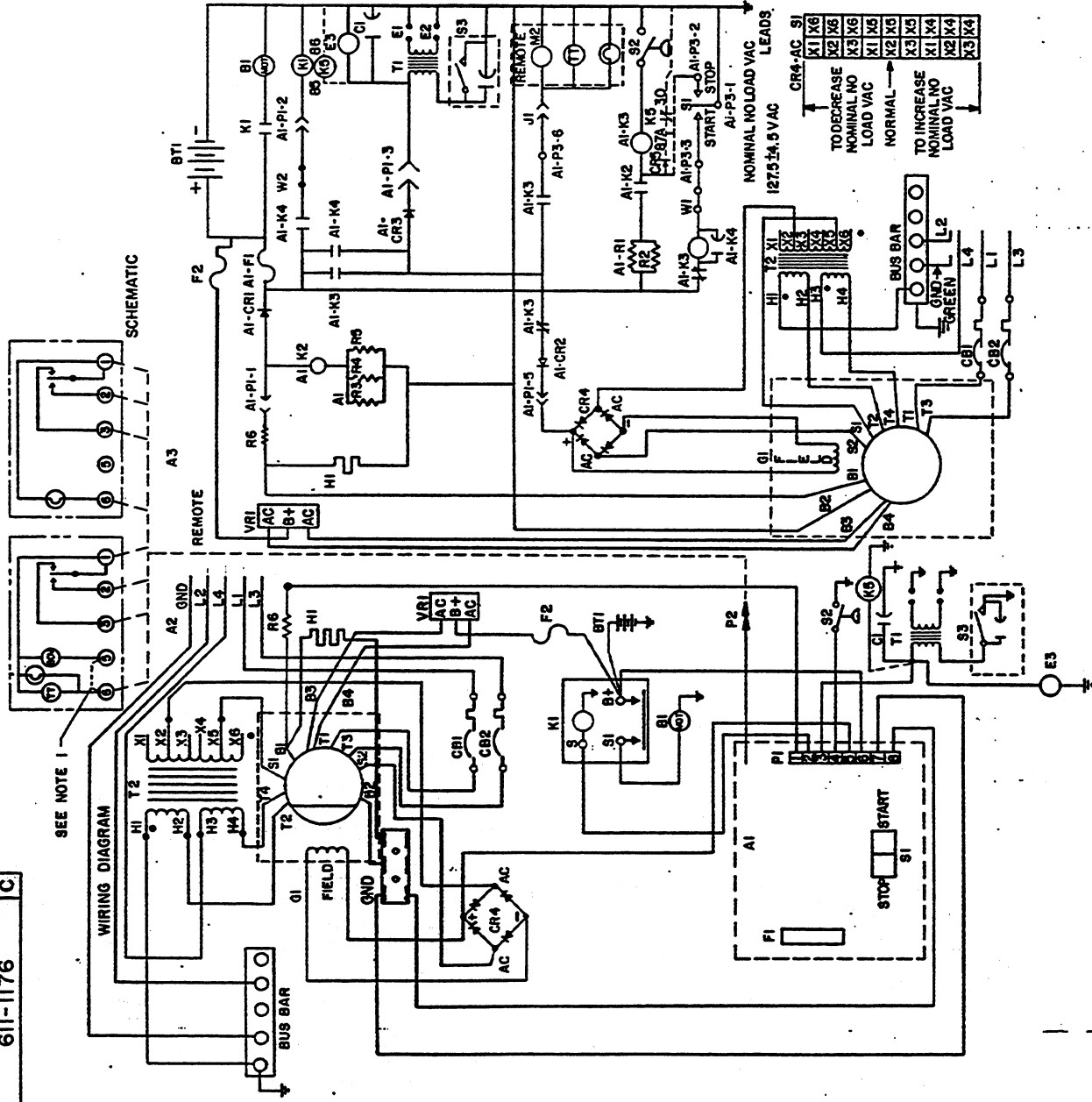
For information of the customer, the following information is being furnished. This information is not to be used for any other purpose. The information is furnished as a service to the customer and is not to be used for any other purpose. The information is furnished as a service to the customer and is not to be used for any other purpose.

Item	Part No.	Qty	Description or Material
W1,2			JUMPER - WIRE
T2			TRANSFORMER
T1			IGN. COIL
S3			IGN. POINTS
S2			SWITCH - LOW OIL PRESSURE
S1			SWITCH - START/STOP
R6			RESISTOR - BATTERY CHARGE
K5			RELAY - USED WITH LPG ONLY
K1			START SOLENOID
H1			CHOKE
G1			GENERATOR
F1			FUSE
E3			FUEL PUMP/OR FUEL SOLENOID
E1,2			SPARK PLUG
CB1,2			CIRCUIT BREAKER (AC OUTPUT)
CR4			BRIDGE RECTIFIER
CR5			RECTIFIER - USED WITH LPG ONLY
C1			CAPACITOR
BT1			BATTERY 12V
B1			STARTER
A3			STANDARD REMOTE CONTROL
A2			DELUXE REMOTE CONTROL
A1	300-2878	C	REF. CONTROL ASSY

Onan Corporation
Minneapolis, Minnesota
CONTROL-GEN SET (WD)
611-1174

611-1176

C



SEE NOTE 1

WIRING DIAGRAM

BUS BAR

FIELD

GND

AC

START

STOP

START

STOP

START

STOP

START

STOP

START

STOP

START

STOP

START

STOP

START

STOP

START

STOP

START

STOP

START

STOP

START

STOP

611-1176

C

WIRING DIAGRAM

BUS BAR

FIELD

GND

AC

START

STOP

START

STOP

START

STOP

START

STOP

START

STOP

START

STOP

START

STOP

START

STOP

START

STOP

START

STOP

START

STOP

START

STOP

START

STOP

START

STOP

START

STOP

START

STOP

START

STOP

START

STOP

START

STOP

28358 A
28358 B

REVISE FOR PROD
ADD B3, B4

DATE 10/11/71
BY JG/KS
CHECKED 10/17/71
BY JG/KS

DATE 10/17/71
BY JG/KS
CHECKED 10/17/71
BY JG/KS

DATE 10/17/71
BY JG/KS
CHECKED 10/17/71
BY JG/KS

DATE 10/17/71
BY JG/KS
CHECKED 10/17/71
BY JG/KS

DATE 10/17/71
BY JG/KS
CHECKED 10/17/71
BY JG/KS

DATE 10/17/71
BY JG/KS
CHECKED 10/17/71
BY JG/KS

DATE 10/17/71
BY JG/KS
CHECKED 10/17/71
BY JG/KS

DATE 10/17/71
BY JG/KS
CHECKED 10/17/71
BY JG/KS

DATE 10/17/71
BY JG/KS
CHECKED 10/17/71
BY JG/KS

DATE 10/17/71
BY JG/KS
CHECKED 10/17/71
BY JG/KS

DATE 10/17/71
BY JG/KS
CHECKED 10/17/71
BY JG/KS

DATE 10/17/71
BY JG/KS
CHECKED 10/17/71
BY JG/KS

DATE 10/17/71
BY JG/KS
CHECKED 10/17/71
BY JG/KS

DATE 10/17/71
BY JG/KS
CHECKED 10/17/71
BY JG/KS

DATE 10/17/71
BY JG/KS
CHECKED 10/17/71
BY JG/KS

DATE 10/17/71
BY JG/KS
CHECKED 10/17/71
BY JG/KS

DATE 10/17/71
BY JG/KS
CHECKED 10/17/71
BY JG/KS

DATE 10/17/71
BY JG/KS
CHECKED 10/17/71
BY JG/KS

DATE 10/17/71
BY JG/KS
CHECKED 10/17/71
BY JG/KS

DATE 10/17/71
BY JG/KS
CHECKED 10/17/71
BY JG/KS

DATE 10/17/71
BY JG/KS
CHECKED 10/17/71
BY JG/KS

DATE 10/17/71
BY JG/KS
CHECKED 10/17/71
BY JG/KS

DATE 10/17/71
BY JG/KS
CHECKED 10/17/71
BY JG/KS

DATE 10/17/71
BY JG/KS
CHECKED 10/17/71
BY JG/KS

DATE 10/17/71
BY JG/KS
CHECKED 10/17/71
BY JG/KS

DATE 10/17/71
BY JG/KS
CHECKED 10/17/71
BY JG/KS

DATE 10/17/71
BY JG/KS
CHECKED 10/17/71
BY JG/KS

DATE 10/17/71
BY JG/KS
CHECKED 10/17/71
BY JG/KS

DATE 10/17/71
BY JG/KS
CHECKED 10/17/71
BY JG/KS

DATE 10/17/71
BY JG/KS
CHECKED 10/17/71
BY JG/KS

DATE 10/17/71
BY JG/KS
CHECKED 10/17/71
BY JG/KS

DATE 10/17/71
BY JG/KS
CHECKED 10/17/71
BY JG/KS

DATE 10/17/71
BY JG/KS
CHECKED 10/17/71
BY JG/KS

DATE 10/17/71
BY JG/KS
CHECKED 10/17/71
BY JG/KS

DATE 10/17/71
BY JG/KS
CHECKED 10/17/71
BY JG/KS

DATE 10/17/71
BY JG/KS
CHECKED 10/17/71
BY JG/KS

DATE 10/17/71
BY JG/KS
CHECKED 10/17/71
BY JG/KS

DATE 10/17/71
BY JG/KS
CHECKED 10/17/71
BY JG/KS

DATE 10/17/71
BY JG/KS
CHECKED 10/17/71
BY JG/KS

DATE 10/17/71
BY JG/KS
CHECKED 10/17/71
BY JG/KS

DATE 10/17/71
BY JG/KS
CHECKED 10/17/71
BY JG/KS

DATE 10/17/71
BY JG/KS
CHECKED 10/17/71
BY JG/KS

DATE 10/17/71
BY JG/KS
CHECKED 10/17/71
BY JG/KS

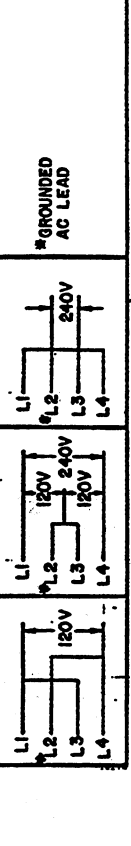
NOTES:
1. JUMPER IS NEEDED FOR BATTERY CONDITION METER

611-1176 C

Item	Part No.	Qty	City	Description or Material
F2	300-2878	C	REF	CONTROL ASSY
VR1				INLINE FUSE
WI2				VOLTAGE REGULATOR 12 VDC
T2				JUMPER-WIRE
T1				TRANSFORMER
S3				IGN COIL
S2				IGN POINTS
S1				SWITCH - LOW OIL PRESSURE
R6				RESISTOR - START/STOP
K5				RELAY - BATTERY CHARGE
K1				RELAY - WHEN USED
HI				START SOLENOID
GI				CHOKE
FI				GENERATOR
E3				FUSE
E2				FUEL PUMP
CB2				CIRCUIT BREAKER (AC OUTPUT)
CR4				BRIDGE RECTIFIER
CR6				RECTIFIER - WHEN USED
C1				CAPACITOR
BT1				BATTERY 12V
BI				STARTER
A3				STANDARD REMOTE CONTROL
A2				DELUXE REMOTE CONTROL
AI				CONTROL ASSY

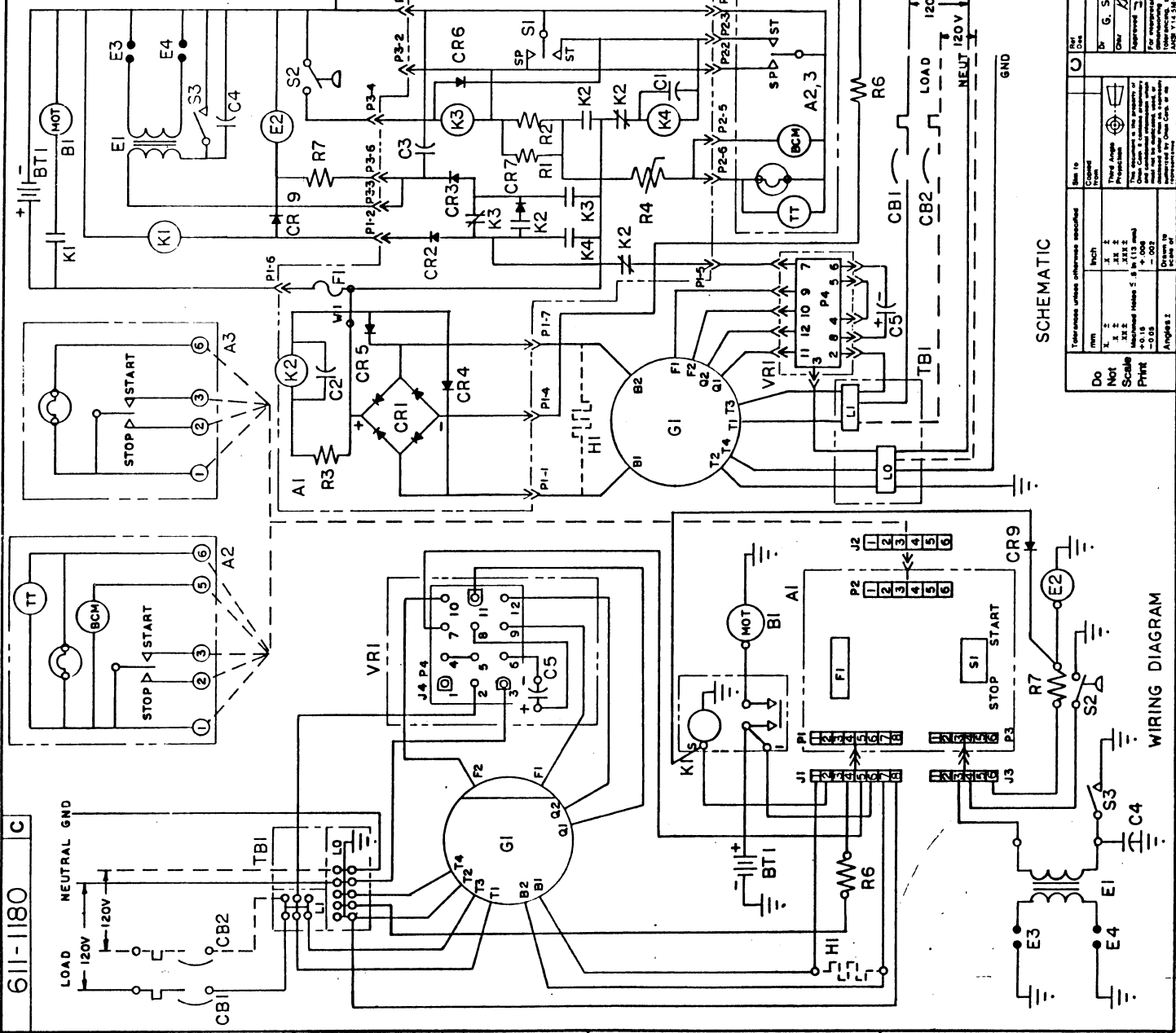
Item	Part No.	Qty	City	Description or Material
AI	300-2878	C	REF	CONTROL ASSY

Rev	Date	By	Description
1	5-20-85	JIM CAMERON	REVISED FOR PRODUCTION
2	5-22-85	R. WALTZ	REVISED FOR PRODUCTION
3	5-31-85	JIM CAMERON	REVISED FOR PRODUCTION



611-1180

CR No.	LT	No.	Revision	Zone Dr.	Chitl Approved	Date
30355	A	1	PROD RLS	GS	JA	7-28-81
30579	B	1	CONN J4, 4 TO 5 WAS 1 TO 5	XC	GS	9-17-87
		2	ADD W1	XC	GS	9-17-87
31343	C	1	SEE ER	XC	GS	1-23-88



NOTES:
1. GOOD ONLY FOR EXTERNAL FUEL PUMP RESISTOR.

SCHEMATIC

Item	Part No.	Qty	Desc	Material
CR9	300-3091-02	C	REF	REF
R7	AI	300-3091-01	C	REF
VR1	AI	300-3091-01	C	REF
S3	AI	300-3091-01	C	REF
S2	AI	300-3091-01	C	REF
R6	AI	300-3091-01	C	REF
K1	AI	300-3091-01	C	REF
HI	AI	300-3091-01	C	REF
GI	AI	300-3091-01	C	REF
F1	AI	300-3091-01	C	REF
E3,4	AI	300-3091-01	C	REF
E2	AI	300-3091-01	C	REF
E1	AI	300-3091-01	C	REF
CB1,2	AI	300-3091-01	C	REF
C4,5	AI	300-3091-01	C	REF
BT1	AI	300-3091-01	C	REF
B1	AI	300-3091-01	C	REF
A3	AI	300-3091-01	C	REF
A2	AI	300-3091-01	C	REF
AI	AI	300-3091-01	C	REF

Do	Not	Scale	Print
1	1	1	1
2	2	2	2
3	3	3	3
4	4	4	4
5	5	5	5
6	6	6	6
7	7	7	7
8	8	8	8
9	9	9	9
10	10	10	10
11	11	11	11
12	12	12	12
13	13	13	13
14	14	14	14
15	15	15	15
16	16	16	16
17	17	17	17
18	18	18	18
19	19	19	19
20	20	20	20

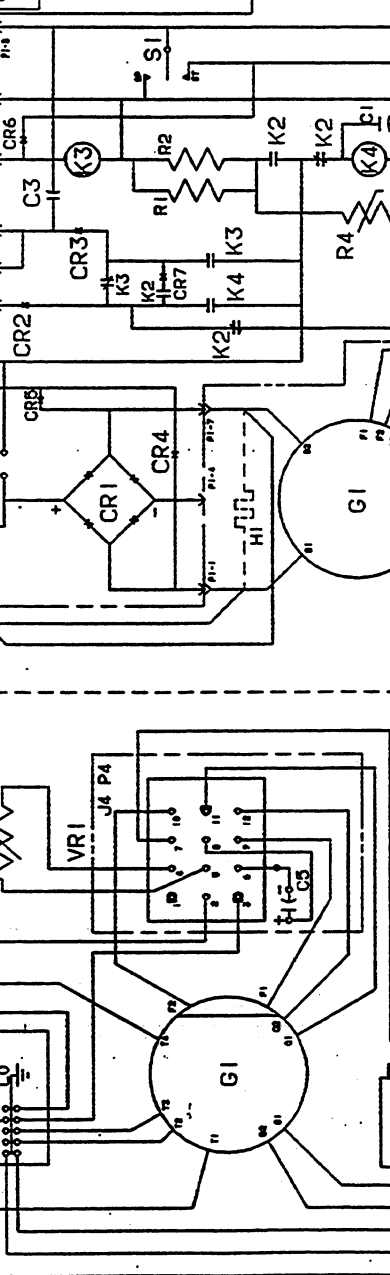
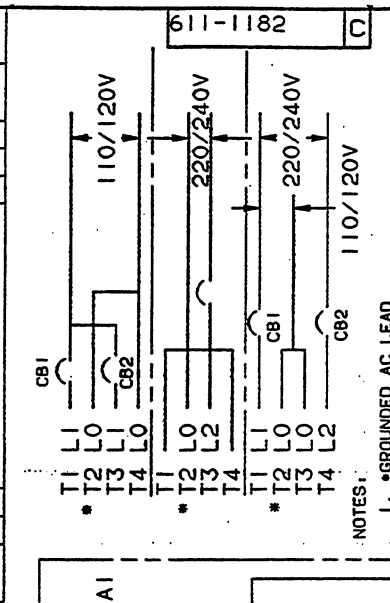
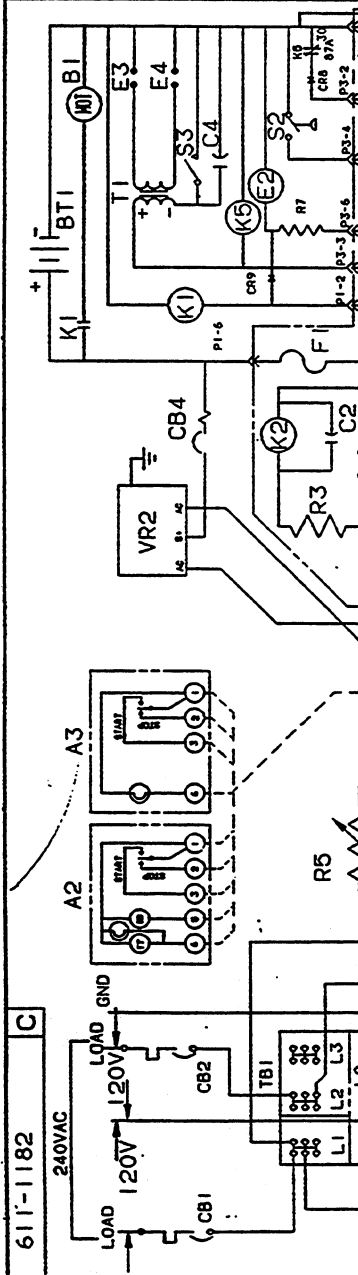
Item	Part No.	Qty	Desc	Material
CR9	300-3091-02	C	REF	REF
R7	AI	300-3091-01	C	REF
VR1	AI	300-3091-01	C	REF
S3	AI	300-3091-01	C	REF
S2	AI	300-3091-01	C	REF
R6	AI	300-3091-01	C	REF
K1	AI	300-3091-01	C	REF
HI	AI	300-3091-01	C	REF
GI	AI	300-3091-01	C	REF
F1	AI	300-3091-01	C	REF
E3,4	AI	300-3091-01	C	REF
E2	AI	300-3091-01	C	REF
E1	AI	300-3091-01	C	REF
CB1,2	AI	300-3091-01	C	REF
C4,5	AI	300-3091-01	C	REF
BT1	AI	300-3091-01	C	REF
B1	AI	300-3091-01	C	REF
A3	AI	300-3091-01	C	REF
A2	AI	300-3091-01	C	REF
AI	AI	300-3091-01	C	REF

WIRING DIAGRAM

Omron
Chon Corporation
Minneapolis, Minnesota

CONTROL - GEN SET
611-1180

ER NO	TR NO	REVISION	FORM OR CHG	APPROVED DATE
30959	A	1	PRODUCTION RELEASE	- JC RW NHH 10-28-87
31667	B	1	ADD R7 & R8 & RECONN CHART	- JC RW NHH 3-8-88
	2		TBI WAS 2 PL TERMINAL BLOCK	- JC RW NHH 3-8-88
32204	C	1	CB4 WAS F2	- JC G.S. W/M 6-3-88



R5	POTENTIOMETER
R7	RESISTOR FUEL PUMP
CB4	CIRCUIT BREAKER (THERMAL)
VR2	VOLTAGE REGULATOR (DC)
CR8	RECTIFIER
VR1	VOLTAGE REGULATOR (AC)
S3	IGN POINTS
S2	SWITCH-LOW OIL PRESS
K5	RELAY
K1	RELAY-START SOLENOID
HI	CHOKE-GASOLINE ONLY
G1	GENERATOR
F1	FUSE-SLOW BLOW 5A
E3,4	SPARK PLUGS
E2	FUEL PUMP OR FUEL SOL
T1	IGN COIL
CB1,2	CIRCUIT BREAKER (AC OUTPUT)
CA,5	CAPACITOR
BT1	BATTERY 12V
B1	STARTER MOTOR
A3	REMOTE CONTROL-STANDARD
A2	REMOTE CONTROL-DELUXE
A1 300-3339-4.5,6,7	C REF CONTROL ASSY-NHD/NHOL
A1 300-3339-1,2,3	C REF CONTROL ASSY-8GD/8GOL

1124	PART NO	QTY	DESCRIPTION OR MATERIAL
30959	A	1	PRODUCTION RELEASE
31667	B	1	ADD R7 & R8 & RECONN CHART
	2		TBI WAS 2 PL TERMINAL BLOCK
32204	C	1	CB4 WAS F2

NOTES:
1. *GROUNDED AC LEAD

CADAM SYSTEM DWG

DATE: 11-19-87
 DRAWN BY: JIM CAMERON
 CHECKED BY: JAY MCKOSKEY
 APPROVED BY: WM M. HOOPER

SCALE: AS SHOWN
 PRINT: 11-23-87

611-1182

CONTROL-GEN SET

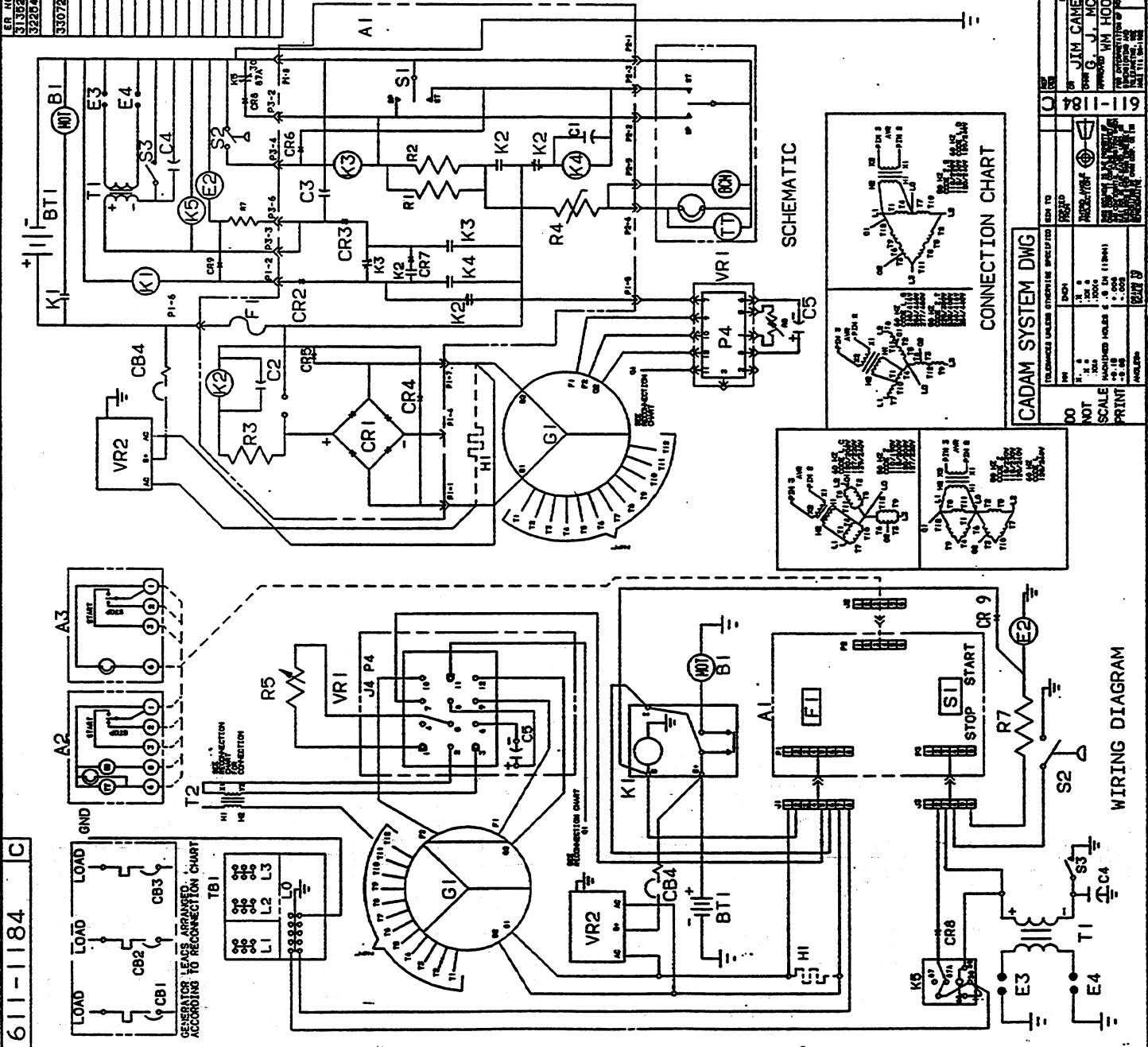
OMRON CORPORATION
 MINNEAPOLIS, MINNESOTA

611-1182

611-1184 C

31352	A	1	PRODUCTION RELEASE	3C BY HHH	12-74
32204	B	1	ADD T2 TRANSFORMER	3C BY HHH	8-31-88
		2	CB4 WAS F2	3C BY HHH	9-31-88
33072	C	1	J4-1 CONNECTION WAS J4-4	4-CUS BY WJH	12-28-88
		2	CR6 LEAD WAS TO P2-2, P3-2	2-CUS BY WJH	12-28-88

611-1184 C



WIRING DIAGRAM

SCHEMATIC

CONNECTION CHART

CADAM SYSTEM DWG

NO	REV	DATE	BY	CHKD	DESCRIPTION
00	1	12-74	JIM CAMERON		PRODUCTION RELEASE
	2	8-31-88	GARY J. MCHOSKEY		ADD T2 TRANSFORMER
	3	9-31-88	WJH		CB4 WAS F2
	4	12-28-88	WJH		J4-1 CONNECTION WAS J4-4
	5	12-28-88	WJH		CR6 LEAD WAS TO P2-2, P3-2

T2	TRANSFORMER VOLTAGE REC
CB3	CIRCUIT BREAKER (THERMAL)
VR2	VOLTAGE REGULATOR (DC)
CR8	RECTIFIER
VR1	VOLTAGE REGULATOR (AC)
S3	IGN POINTS
S2	SWITCH-LOW OIL PRESS
K5	RELAY
K1	RELAY-START SOLENOID
H1	CHOCKE-GASOLINE ONLY
G1	GENERATOR
F1	FUSE-SLOW BLOW 5A
E3,4	SPARK PLUGS
E2	FUEL PUMP OR FUEL SOL
T1	IGN COIL
CR1,2	CIRCUIT BREAKER (AC OUTPUT)
C4,5	CAPACITOR
BT1	BATTERY 12V
B1	STARTER MOTOR
A3	REMOTE CONTROL-STANDARD
A2	REMOTE CONTROL-DELUXE
A1 300-3459-02	C REF CONTROL ASSY-NHD/NHDL
A1 300-3459-01	C REF CONTROL ASSY-BGD/BGDL

ONAN CORPORATION
MINNEAPOLIS, MINNESOTA

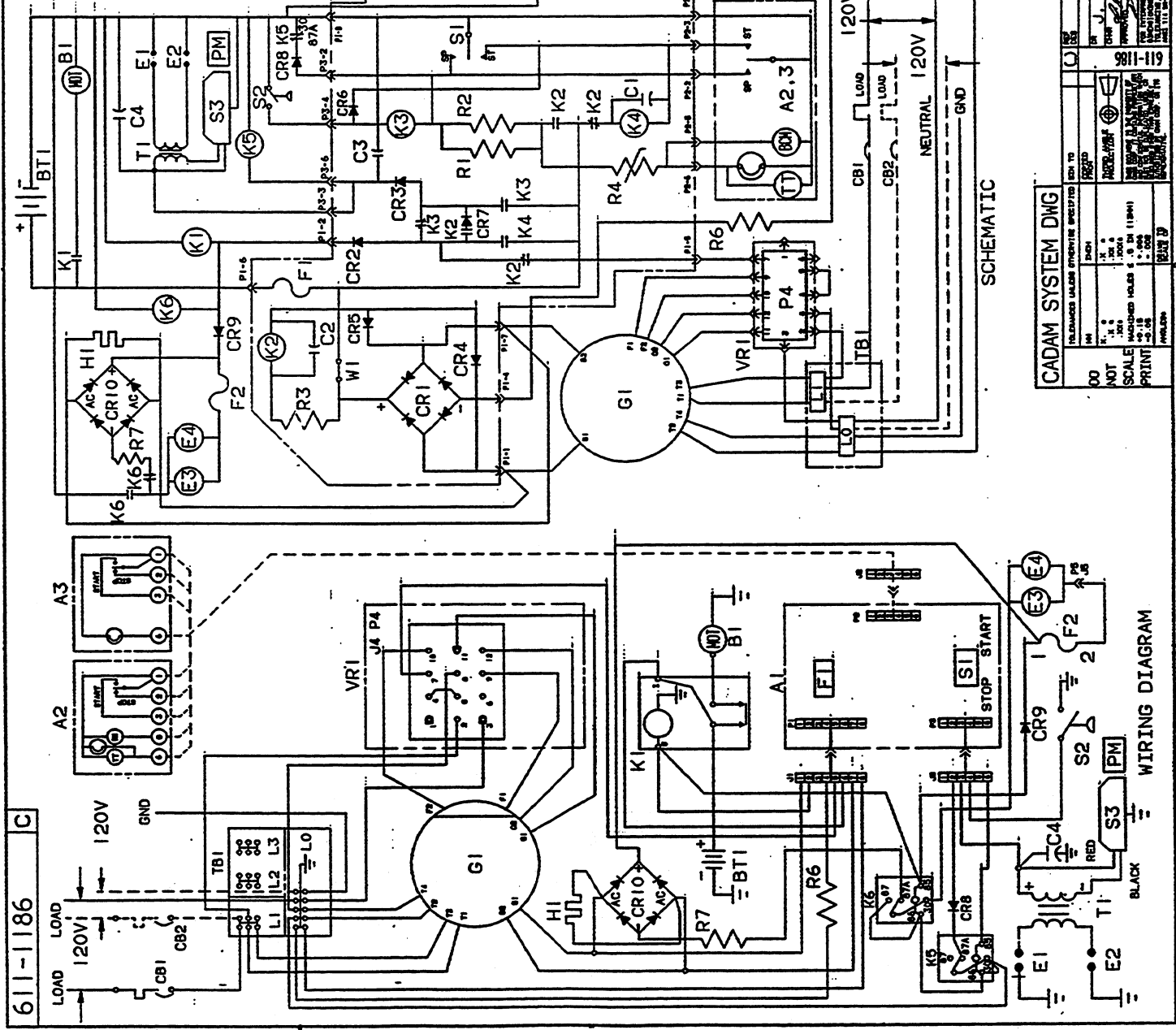
CONTROL-GEN SET

611-1184

ER NO.	TRND	REVISION	DATE	BY	CHKD	APPROVED	DATE
33281	A	1	11-10-88	JP	KA	PKS	11-10-88
		2	11-10-88	JP	KA	DEF	11-10-88
		3	11-10-88	JP	KA	DEF	11-10-88

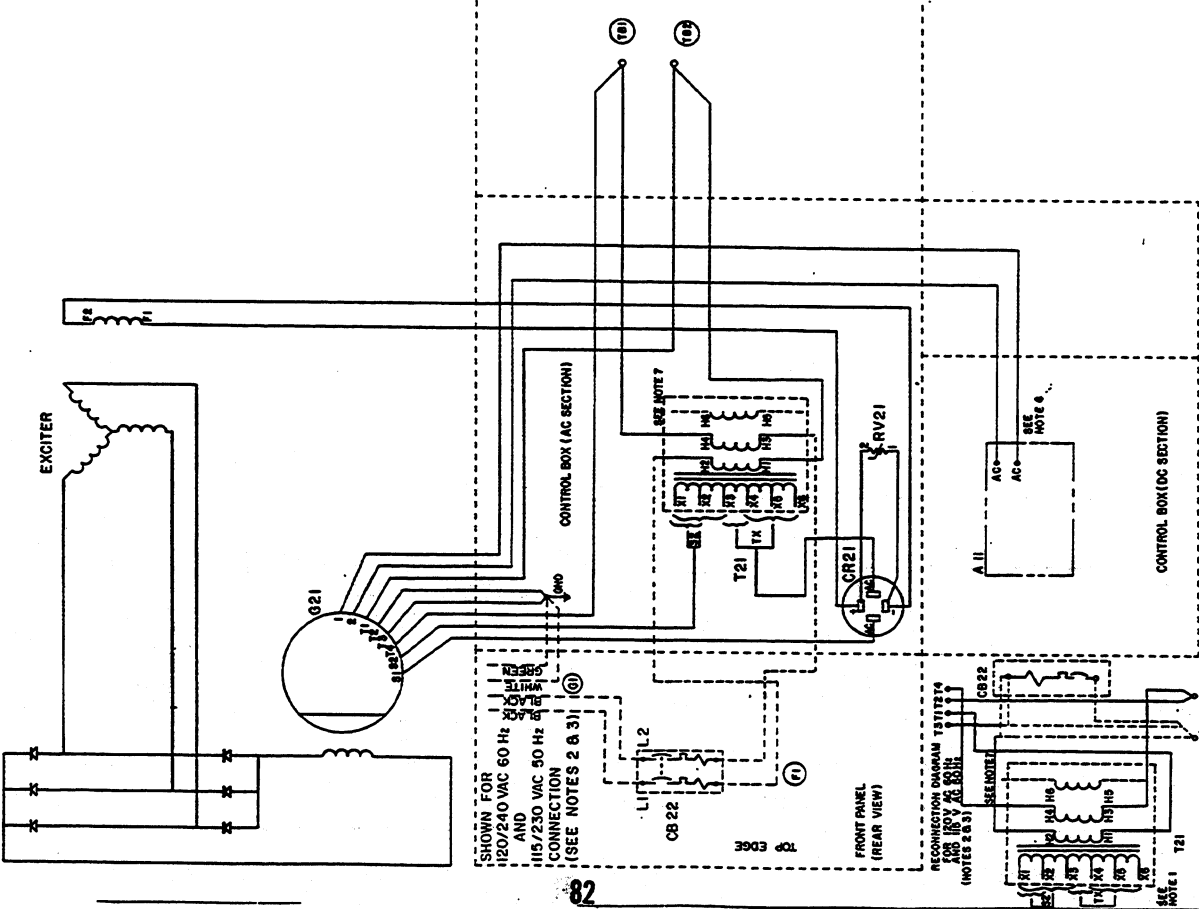
1. ALL ELECTRICAL COMPONENTS ARE DRAWN IN THE DE-ENERGIZED POSITION.

SYM	DESCRIPTION OR MATERIAL	QTY	REF
VRI	VOLTAGE REGULATOR	1	
T1	IGN COIL	1	
S3	IGN MODULE	1	
S2	SWITCH-LOW OIL PRESSURE	1	
R7	RESISTOR-FUEL PUMP	1	
R6	RESISTOR-BATTERY CHARGE	1	
K6	RELAY-FUEL PUMP	1	
K8	RELAY-STOP LATCH	1	
K1	RELAY-START SOLENOID	1	
H1	CHOKE-GASOLINE ONLY	1	
G1	GENERATOR	1	
F2	FUSE-SLOW BLOW 5A	1	
F1	FUSE-SLOW BLOW 5A	1	
E4	SOLENOID FUEL VALVE	1	
E3	FUEL PUMP	1	
E1,2	SPARK PLUG	2	
CR10	RECTIFIER-FUEL PUMP POWER	1	
CR9	RECTIFIER-FUEL PUMP	1	
CR8	RECTIFIER-STOP LATCH	1	
CR1,2	CIRCUIT BREAKER (AC OUTPUT)	2	
C4	CAPACITOR	1	
BT1	BATTERY 12V	1	
B1	STARTER MOTOR	1	
A3	REMOTE CONTROL-STANDARD	1	
A2	REMOTE CONTROL-DELUXE	1	
A1	300-3990-02 C REF CONTROL ASSY-NHM	1	
A1	300-3990-01 C REF CONTROL ASSY-BCM	1	

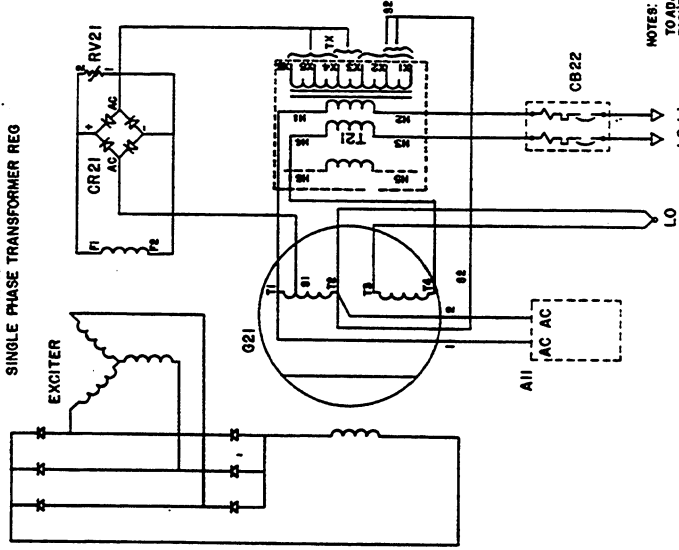


611-1186	CADAM SYSTEM DWG	DATE	11-10-88	BY	J. PETERSON	CHKD	KA
LOAD	SCALE	1/8"	1/8"	1/8"	1/8"	1/8"	1/8"
120V1	PRINT	1/8"	1/8"	1/8"	1/8"	1/8"	1/8"
120V2							
GND							
BLACK							
RED							

AC WIRING DIAGRAM



AC SCHEMATIC SINGLE PHASE TRANSFORMER REG



		60 HZ (G1)				60 HZ (G2)			
OUTPUT VOLTAGE ADJUSTMENT	TAP POSITION	X1	X2	X3	X4	X1	X2	X3	X4
INCREASE	X2	X3	X8	X3	X6	X3	X6	X3	X4
STD	X1	X3	X2	X6	X2	X5	X2	X4	X4
DECREASE	X4	X4	X1	X6	X1	X6	X1	X6	X4

		60 HZ (G3)				60 HZ (G4)			
OUTPUT VOLTAGE ADJUSTMENT	TAP POSITION	X1	X2	X3	X4	X1	X2	X3	X4
INCREASE	X2	X5	X6	X3	X6	X3	X6	X3	X4
STD	X1	X3	X6	X2	X5	X2	X4	X2	X4
DECREASE	X4	X4	X1	X6	X1	X6	X1	X6	X4

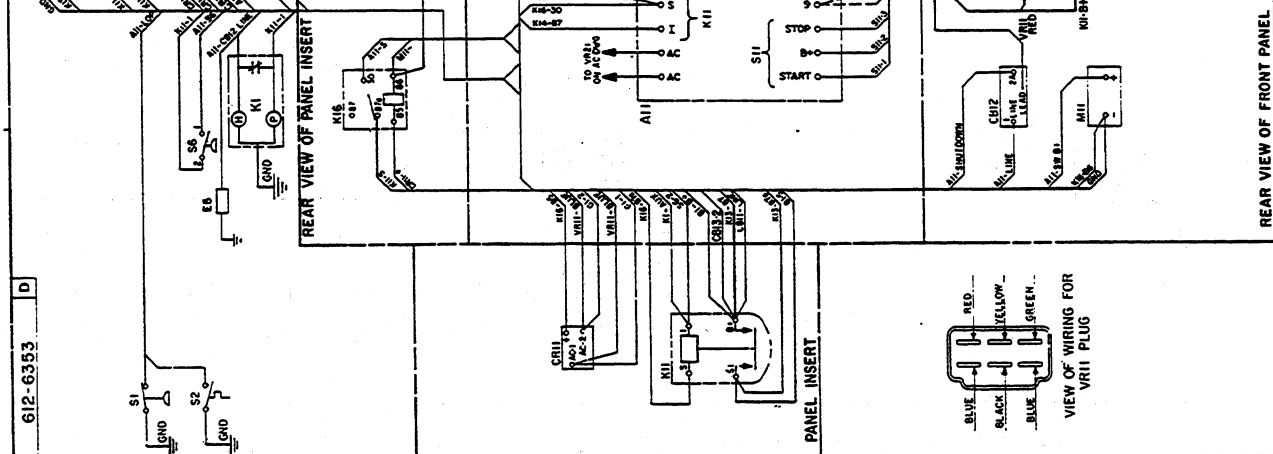
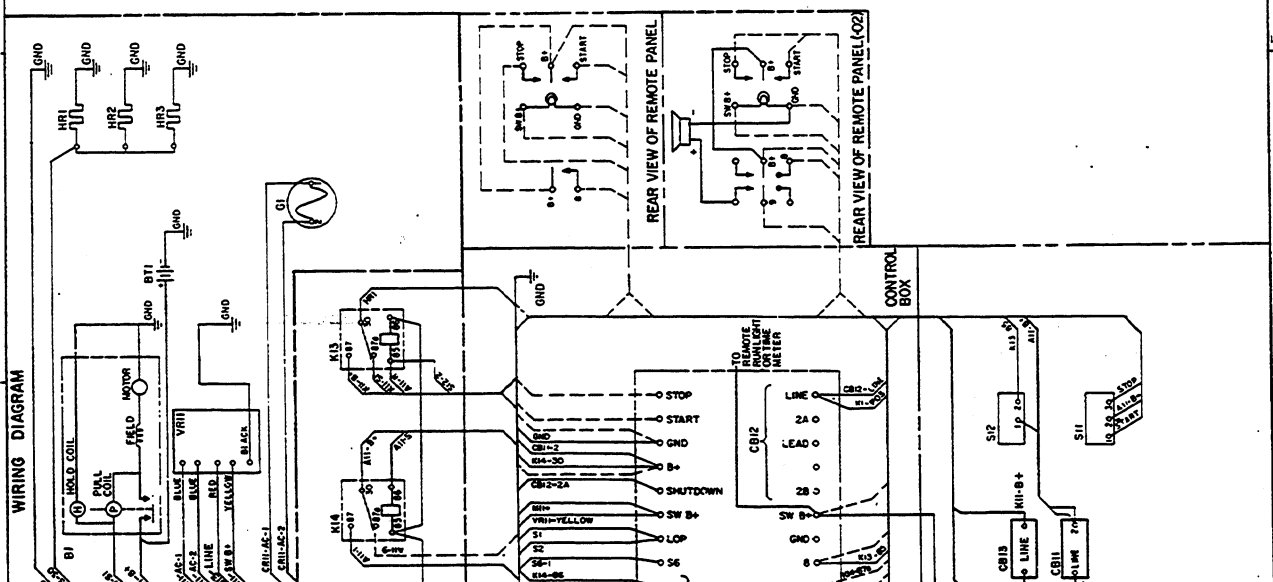
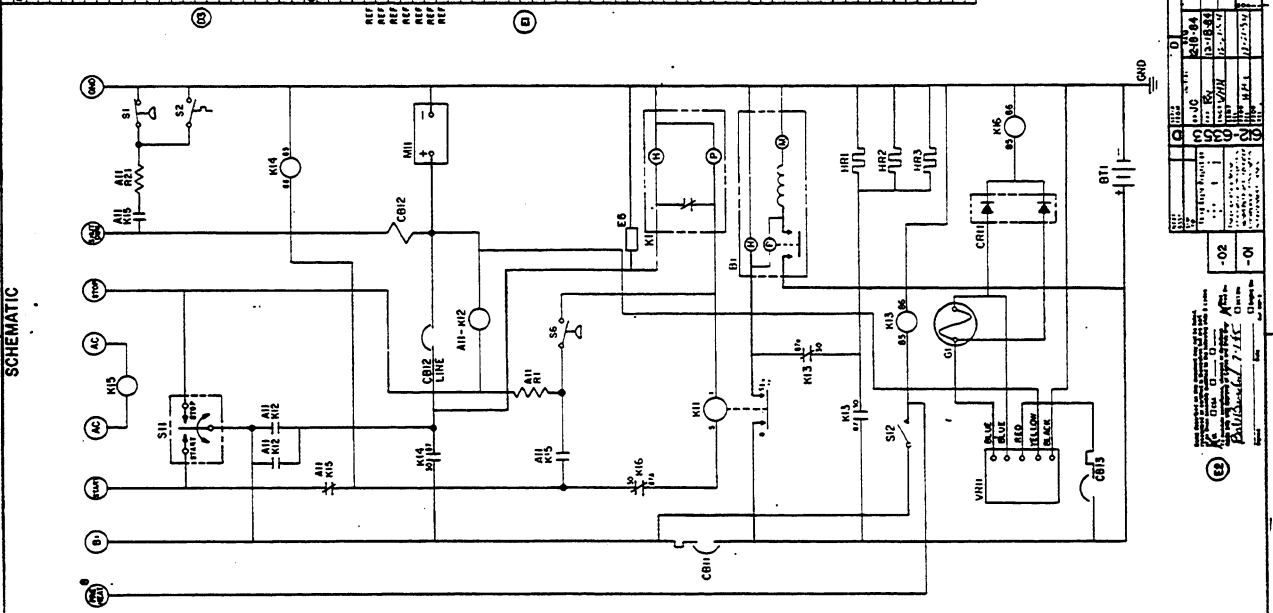
- NOTES:
- 1. TO ADJUST OUTPUT VOLTAGE, MOVE TAPS ON T21 ACCORDING TO TABLES.
 - 2. IN ALL VOLTAGE CONNECTIONS (BOARDINGS), LEAVE T1 AND T4 CONNECTED TO H1 AND H4 RESPECTIVELY.
 - 3. FOR 60Hz, USE S2 LEAD FROM GEN ON TAPS X1-X2 (14 TAPS). USE T4 LEAD ON TAPS X3-X4.
 - 4. FOR 60Hz, USE S2 LEAD FROM GEN ON TAPS X1-X3 (16 TAPS). USE T4 LEAD ON TAPS X4-X6.
 - 5. FOR 110V/220V AND 110V CONNECT H2 TO H6.
 - 6. FOR 110V/220V USE H5 FOR L1 AND H5 FOR L2 AND H5 TO T2 (L2).
 - 7. FOR 110V/220V USE H6 FOR L1 AND H6 FOR L2 AND H6 TO T2 (L2).
 - 8. FOR 110V/220V AND 110V CONNECT H2 TO H6.
 - 9. FOR 110V/220V AND 110V CONNECT H2 TO H6.
 - 10. FOR 110V/220V AND 110V CONNECT H2 TO H6.
 - 11. FOR 110V/220V AND 110V CONNECT H2 TO H6.
 - 12. FOR 110V/220V AND 110V CONNECT H2 TO H6.

REF. NO.	QTY	DESCRIPTION
1	1	TRANSFORMER REG (G1)
2	1	TRANSFORMER REG (G2)
3	1	TRANSFORMER REG (G3)
4	1	TRANSFORMER REG (G4)
5	1	TRANSFORMER REG (G5)
6	1	TRANSFORMER REG (G6)
7	1	TRANSFORMER REG (G7)
8	1	TRANSFORMER REG (G8)
9	1	TRANSFORMER REG (G9)
10	1	TRANSFORMER REG (G10)
11	1	TRANSFORMER REG (G11)
12	1	TRANSFORMER REG (G12)
13	1	TRANSFORMER REG (G13)
14	1	TRANSFORMER REG (G14)
15	1	TRANSFORMER REG (G15)
16	1	TRANSFORMER REG (G16)
17	1	TRANSFORMER REG (G17)
18	1	TRANSFORMER REG (G18)
19	1	TRANSFORMER REG (G19)
20	1	TRANSFORMER REG (G20)

CONTROL BOX (AC SECTION)	CONTROL BOX (DC SECTION)	CONTROL BOX (AC SECTION)	CONTROL BOX (DC SECTION)
60 HZ	60 HZ	60 HZ	60 HZ
ON	ON	ON	ON
OFF	OFF	OFF	OFF

612-6184

REF/DESCR/START NO.	QTY	UNIT	PARTS LIST (REF)
B1	1	STARTER & MOTOR	
B11	1	BATTERY (12V)	
CB12	1	RELAY	
CB13	1	RELAY	
CB14	1	RELAY	
CB15	1	RELAY	
CB16	1	RELAY	
CB17	1	RELAY	
CB18	1	RELAY	
CB19	1	RELAY	
CB20	1	RELAY	
CB21	1	RELAY	
CB22	1	RELAY	
CB23	1	RELAY	
CB24	1	RELAY	
CB25	1	RELAY	
CB26	1	RELAY	
CB27	1	RELAY	
CB28	1	RELAY	
CB29	1	RELAY	
CB30	1	RELAY	
CB31	1	RELAY	
CB32	1	RELAY	
CB33	1	RELAY	
CB34	1	RELAY	
CB35	1	RELAY	
CB36	1	RELAY	
CB37	1	RELAY	
CB38	1	RELAY	
CB39	1	RELAY	
CB40	1	RELAY	
CB41	1	RELAY	
CB42	1	RELAY	
CB43	1	RELAY	
CB44	1	RELAY	
CB45	1	RELAY	
CB46	1	RELAY	
CB47	1	RELAY	
CB48	1	RELAY	
CB49	1	RELAY	
CB50	1	RELAY	
CB51	1	RELAY	
CB52	1	RELAY	
CB53	1	RELAY	
CB54	1	RELAY	
CB55	1	RELAY	
CB56	1	RELAY	
CB57	1	RELAY	
CB58	1	RELAY	
CB59	1	RELAY	
CB60	1	RELAY	
CB61	1	RELAY	
CB62	1	RELAY	
CB63	1	RELAY	
CB64	1	RELAY	
CB65	1	RELAY	
CB66	1	RELAY	
CB67	1	RELAY	
CB68	1	RELAY	
CB69	1	RELAY	
CB70	1	RELAY	
CB71	1	RELAY	
CB72	1	RELAY	
CB73	1	RELAY	
CB74	1	RELAY	
CB75	1	RELAY	
CB76	1	RELAY	
CB77	1	RELAY	
CB78	1	RELAY	
CB79	1	RELAY	
CB80	1	RELAY	
CB81	1	RELAY	
CB82	1	RELAY	
CB83	1	RELAY	
CB84	1	RELAY	
CB85	1	RELAY	
CB86	1	RELAY	
CB87	1	RELAY	
CB88	1	RELAY	
CB89	1	RELAY	
CB90	1	RELAY	
CB91	1	RELAY	
CB92	1	RELAY	
CB93	1	RELAY	
CB94	1	RELAY	
CB95	1	RELAY	
CB96	1	RELAY	
CB97	1	RELAY	
CB98	1	RELAY	
CB99	1	RELAY	
CB100	1	RELAY	



QTY	UNIT	DESCRIPTION
1	REAR VIEW OF FRONT PANEL	
1	REAR VIEW OF REMOTE PANEL	

612-6353 D

CONTROL - GEN SET DC WIRING DIAGRAM

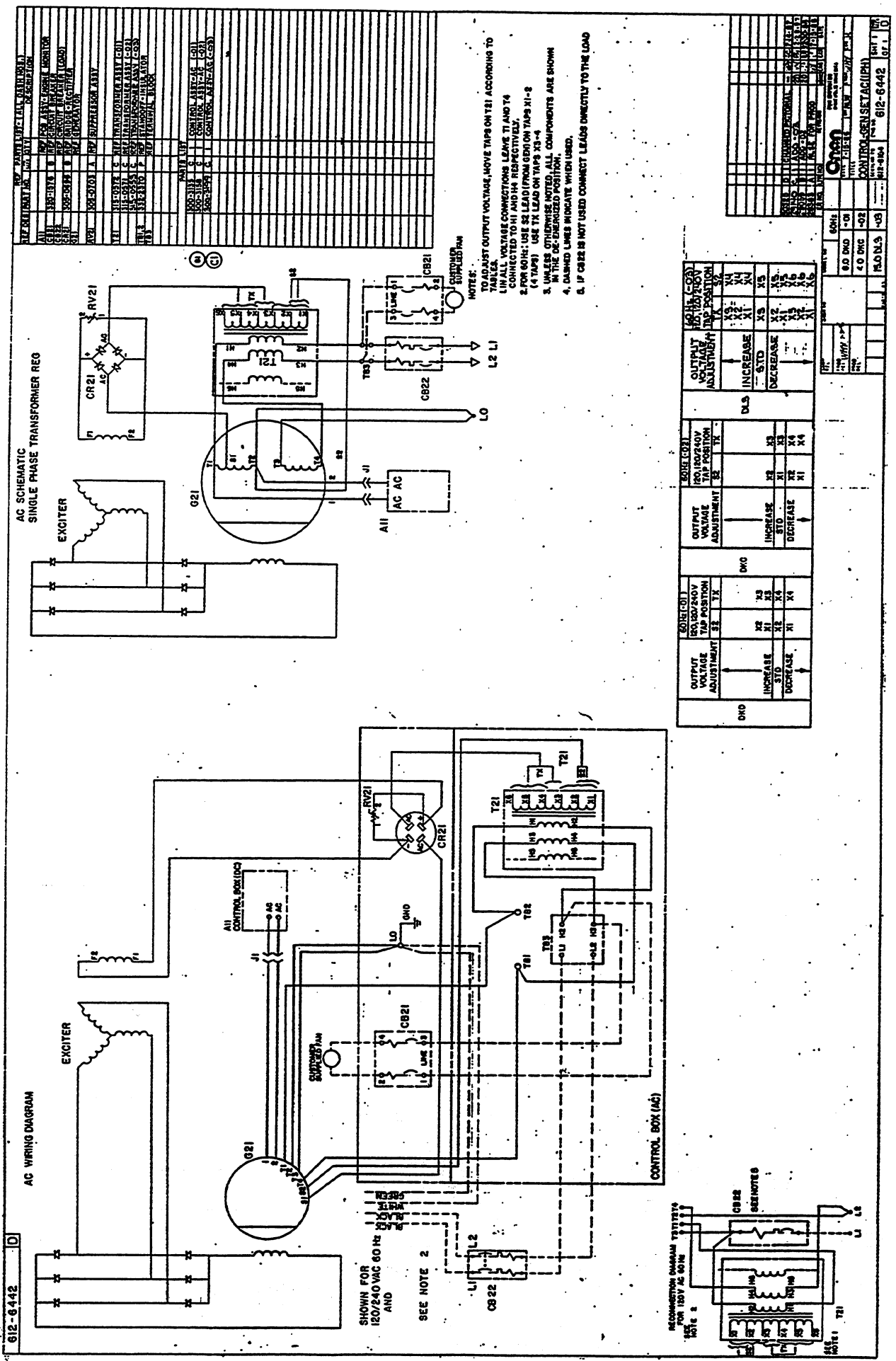
DKC, DKD 612-6353

ONAN

PAUSE

REVISION

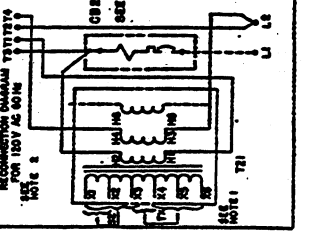
DATE



ITEM NO.	QUANTITY	DESCRIPTION
1	1	TRANSFORMER REGULATOR
2	1	CONTROL BOX (AC)
3	1	EXCITER
4	1	AC SUPPLY
5	1	AC METER
6	1	AC METER
7	1	AC METER
8	1	AC METER
9	1	AC METER
10	1	AC METER
11	1	AC METER
12	1	AC METER
13	1	AC METER
14	1	AC METER
15	1	AC METER
16	1	AC METER
17	1	AC METER
18	1	AC METER
19	1	AC METER
20	1	AC METER
21	1	AC METER
22	1	AC METER
23	1	AC METER
24	1	AC METER
25	1	AC METER
26	1	AC METER
27	1	AC METER
28	1	AC METER
29	1	AC METER
30	1	AC METER
31	1	AC METER
32	1	AC METER
33	1	AC METER
34	1	AC METER
35	1	AC METER
36	1	AC METER
37	1	AC METER
38	1	AC METER
39	1	AC METER
40	1	AC METER
41	1	AC METER
42	1	AC METER
43	1	AC METER
44	1	AC METER
45	1	AC METER
46	1	AC METER
47	1	AC METER
48	1	AC METER
49	1	AC METER
50	1	AC METER

- NOTES:
1. TO ADJUST OUTPUT VOLTAGE, MOVE TAPS ON T21 ACCORDING TO TABLE.
 2. IN ALL VOLTAGE CONNECTIONS LEADS T1 AND T4 CONNECTED TO HI AND OH4 RESPECTIVELY.
 3. FOR 60 Hz: USE S2 LEAD FROM SECTION TAPS X1-8 (4 TAPS) USE T4 LEAD ON TAPS X3-4.
 4. UNLESS OTHERWISE NOTED, ALL COMPONENTS ARE SHOWN IN THE DE-ENERGIZED POSITION.
 5. DASHED LINES INDICATE WHEN USED.
 6. IF CR22 IS NOT USED CONNECT LEADS DIRECTLY TO THE LOAD.

G21 (CO)		G22 (CO)		CR21 (CO)		CR22 (CO)		RV21 (CO)		RV22 (CO)	
OUTPUT VOLTAGE ADJUSTMENT	TAP POSITION	OUTPUT VOLTAGE ADJUSTMENT	TAP POSITION	OUTPUT VOLTAGE ADJUSTMENT	TAP POSITION	OUTPUT VOLTAGE ADJUSTMENT	TAP POSITION	OUTPUT VOLTAGE ADJUSTMENT	TAP POSITION	OUTPUT VOLTAGE ADJUSTMENT	TAP POSITION
INCREASE	X1	INCREASE	X1	INCREASE	X1	INCREASE	X1	INCREASE	X1	INCREASE	X1
STD	X2	STD	X2	STD	X2	STD	X2	STD	X2	STD	X2
DECREASE	X3	DECREASE	X3	DECREASE	X3	DECREASE	X3	DECREASE	X3	DECREASE	X3
	X4		X4		X4		X4		X4		X4
	X5		X5		X5		X5		X5		X5
	X6		X6		X6		X6		X6		X6
	X7		X7		X7		X7		X7		X7
	X8		X8		X8		X8		X8		X8



6016	6017	6018	6019	6020	6021	6022	6023	6024	6025	6026	6027	6028	6029	6030	6031	6032	6033	6034	6035	6036	6037	6038	6039	6040	6041	6042	6043	6044	6045	6046	6047	6048	6049	6050	6051	6052	6053	6054	6055	6056	6057	6058	6059	6060	6061	6062	6063	6064	6065	6066	6067	6068	6069	6070	6071	6072	6073	6074	6075	6076	6077	6078	6079	6080	6081	6082	6083	6084	6085	6086	6087	6088	6089	6090	6091	6092	6093	6094	6095	6096	6097	6098	6099	6100
------	------	------	------	------	------	------	------	------	------	------	------	------	------	------	------	------	------	------	------	------	------	------	------	------	------	------	------	------	------	------	------	------	------	------	------	------	------	------	------	------	------	------	------	------	------	------	------	------	------	------	------	------	------	------	------	------	------	------	------	------	------	------	------	------	------	------	------	------	------	------	------	------	------	------	------	------	------	------	------	------	------	------	------	------



Onan Corporation
1400 73rd Avenue N.E.
Minneapolis, MN 55432
1-800-888-ONAN
612-574-5000 International Use
Telex: 275477
Fax: 612-574-8087

Onan is a registered trademark of Onan Corporation